

Receiver	From
Society	
Reference	
Address	
Phone	
Fax	
E-mail	

Item n° :

Model :
1 ESYBOX MAX 60/120 T

Pump data

Pressure rating : 12 bar (1200 KPa)
 Constant pressure range: 1-12 bar (3 bar by default)
 Min. fluid temperature : 0 °C
 Max. fluid temperature : 50 °C
 Max. Ambient temperature : 55 °C

Requested data

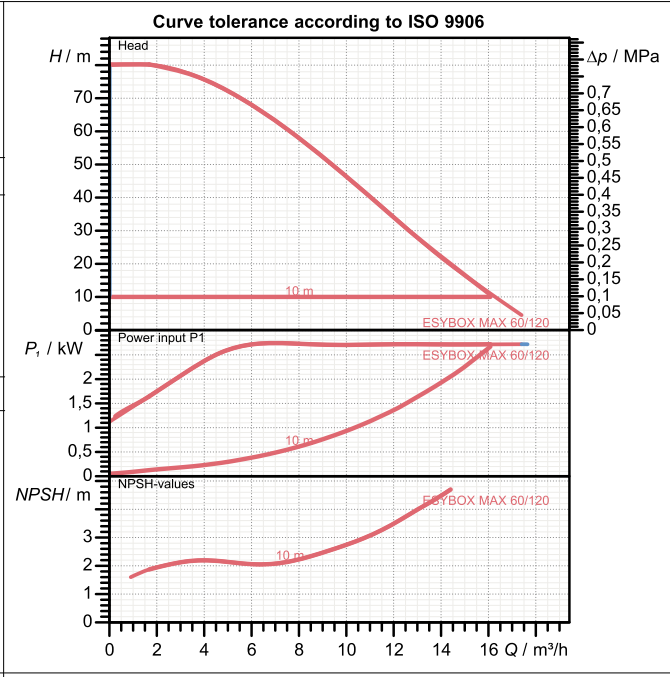
Fluid : Water
 Fluid Temperature : 20 °C
 Density : 998,3 kg/m³
 Kinematic viscosity : 1,005 mm²/s
 Vapor pressure : 2,34 kPa

Materials

Fitting	Technopolymer PA66 30%GF
Manifold	Stainless Steel AISI 304
Flange	Technopolymer PA66 30%GF
Pump body	Technopolymer PA66 30%GF
Pump body ring	Technopolymer PP 30%GF
Impeller	Technopolymer PP 30%GF/AISI 304
Diffuser	Technopolymer PP 30%GF/AISI 304
Motor axis	Stainless Steel AISI 303
OR ring	EPDM
Motor flange	Technopolymer PA66 30%GF
Mechanical seal	Graphite/Stainless Steel/EPDM
Motor liner	Stainless Steel AISI 304
Motor body	Technopolymer PA66 30%GF
Conveyor tube	Technopolymer PP 30%GF
Pressure sensor	Nylon/EPDM
Non-return valve	POM/EPDM/AISI 302
Non-return valve body	Technopolymer PA66 30%GF
Tank	Noryl/Rubber
Delivery body	Technopolymer PA66 30%GF
Outer liner	Stainless Steel AISI 304

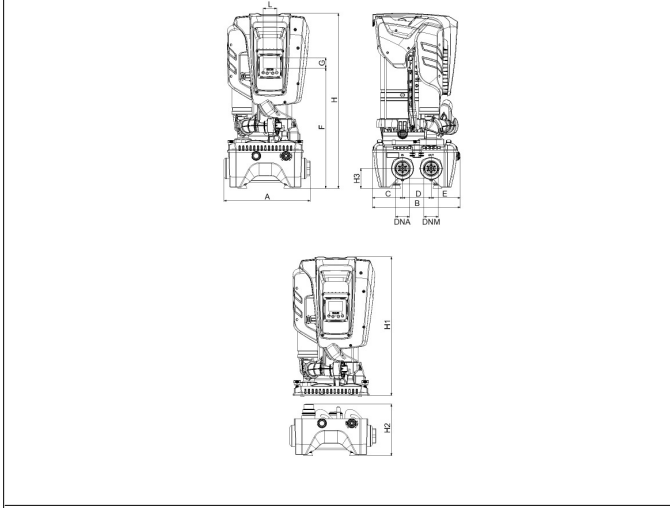
Motor data

Power input P1 : 1 x 2,6 kW
 Rated speed : 5.240 1/min
 Rated voltage : 3~ 380-460 V 50 Hz
 Nominal current : 1 x 4,2 A
 Degree of protection : IP X5



Hydraulic data (duty point)

Flow :
 Head :



Dimensions in mm

A	375	E	127,7	H3	87
B	384	F	526	L	59,5
C	131,8	G	45		
D	124,5	H	766		
DNA	1"1/4 - :	H1	613		
DNM	1"1/4 - :	H2	228		

Weight : 38 kg

Pump connection

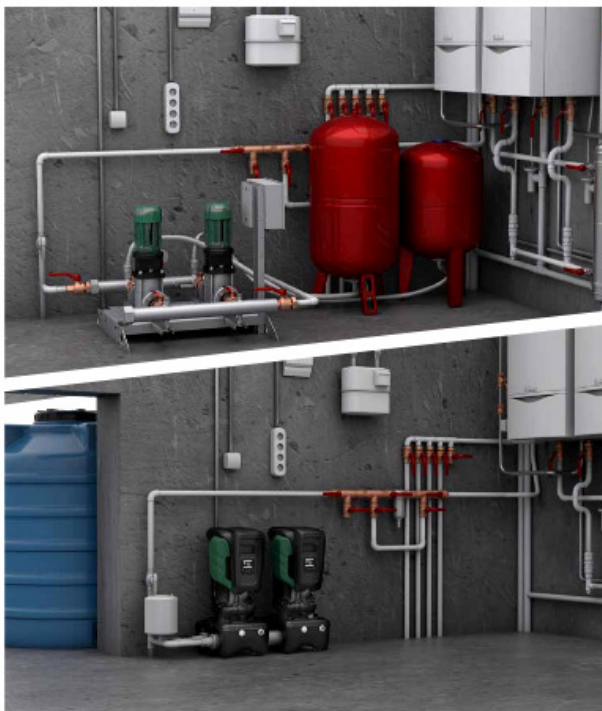
Suction side : 1"1/4 - 2" G / 12 bar (1200 KPa)
 Discharge side : 1"1/4 - 2" G / 12 bar (1200 KPa)

ENERGY SAVING

BEFORE

AFTER

- 20%
Compared with
traditional inverter pump



D+CONNECT
BUILT-IN

ANDROID APP ON Google play

Download on the App Store



As quick as a "click"





WATER • TECHNOLOGY

PERFORMANCE CURVES

2021-06-1C

Page 3 / 4

DAB PUMPS S.p.A.
Via Marco Polo, 14 - 35035 Mestrino (PD), Italy
Tel. +39 049 5125000 - Fax +39 049 5125950
www.dabpumps.com

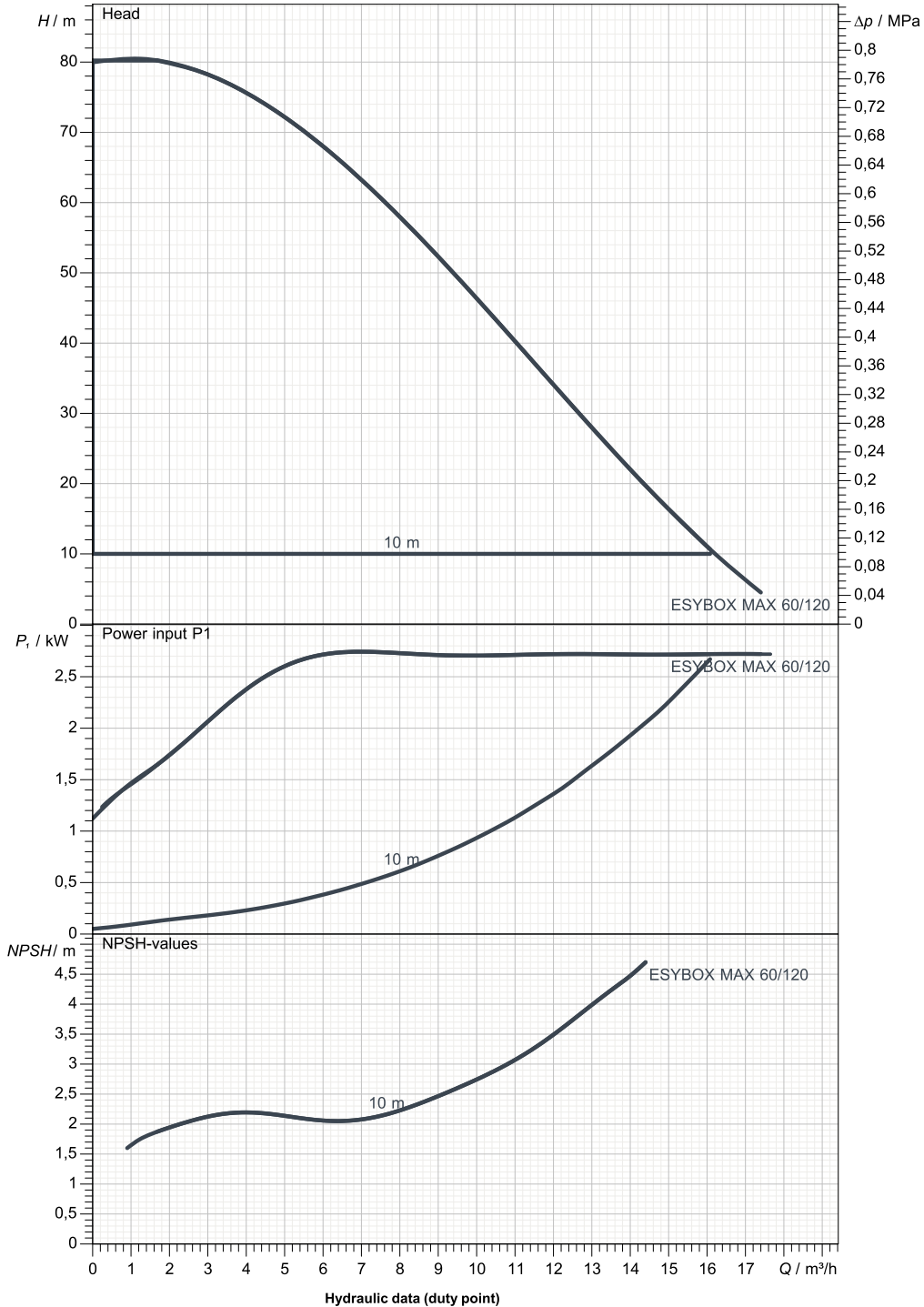
Receiver

From

Society
Reference
Address
Phone
Fax
E-mail

1 ESYBOX MAX 60/120 T

Curve tolerance according to ISO 9906



Suction side :
1"1/4 - 2" G
12 bar (1200 KPa)

Discharge side :
1"1/4 - 2" G
12 bar (1200 KPa)

Flow :

Head :

Rated speed :
5.240 1/min

MAIN_PROJECT_TITLE

BUSINESS_PROCESS_IT

OWNER_

ISSUE_DATE

2021-06-10



DIMENSIONAL DRAWING

2021-06-1C

Page 4 / 4

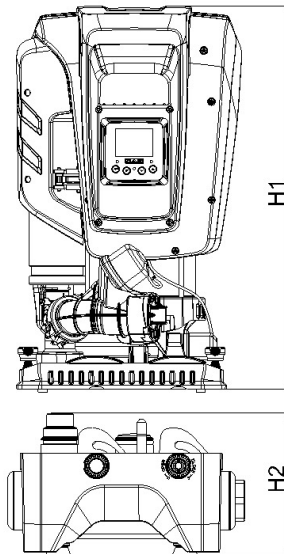
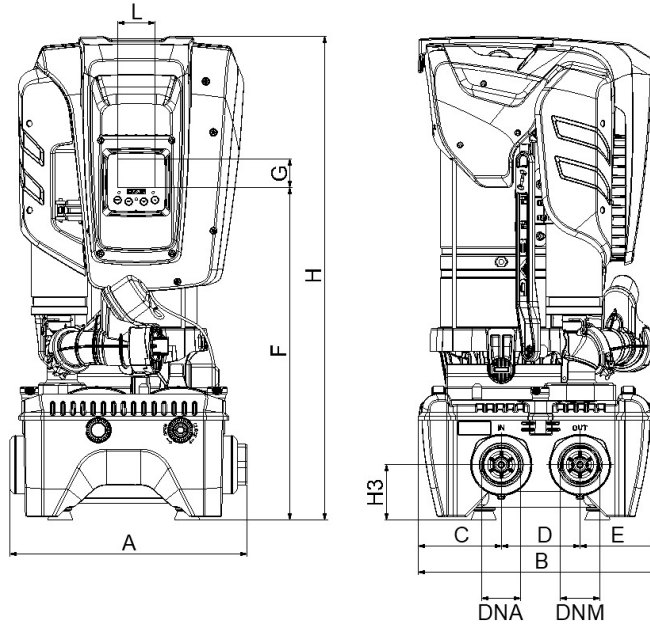
DAB PUMPS S.p.A.
Via Marco Polo, 14 - 35035 Mestrino (PD), Italy
Tel. +39 049 5125000 - Fax +39 049 5125950
www.dabpumps.com

Receiver

From

Society
Reference
Address
Phone
Fax
E-mail

1 ESYBOX MAX 60/120 T



Dimensions in mm						Pump connection
1	A	375	H3	87		Suction 1"1/4 - 2" G 12 bar (1200 KPa) Discharge 1"1/4 - 2" G 12 bar (1200 KPa)
2	B	384	L	59,5		
3	C	131,8				
4	D	124,5				
5	DNA	1"1/4 - 2"				
6	DNM	1"1/4 - 2"				
7	E	127,7				
8	F	526				
9	G	45				
10	H	766				
11	H1	613				
12	H2	228				

MAIN_PROJECT_TITLE

BUSINESS_PROCESS_IC

OWNER_

ISSUE_DATE

2021-06-10