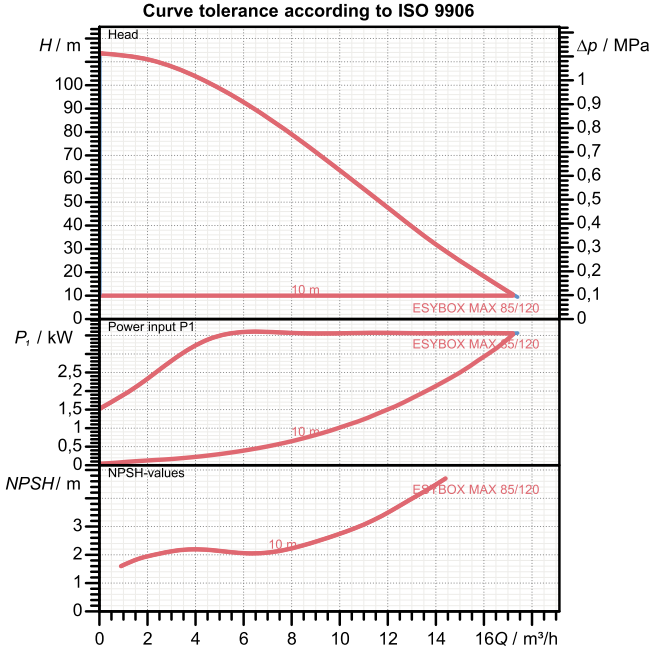
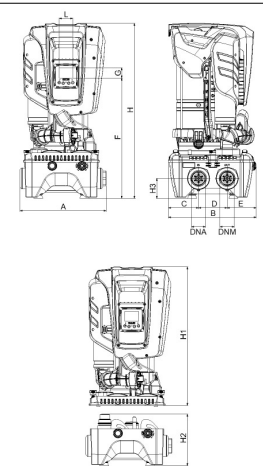


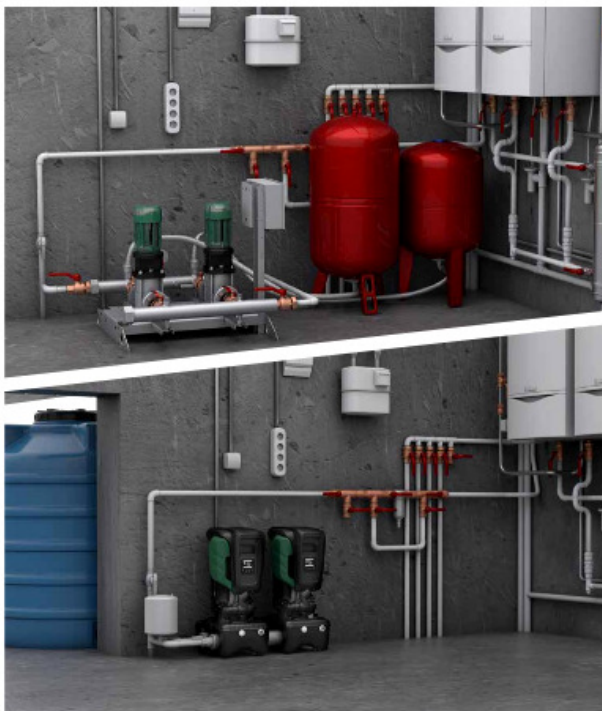
Receiver	From																																
Society Reference Address Phone Fax E-mail																																	
Item n° : Model : 1 ESYBOX MAX 85/120 T																																	
Pump data Pressure rating : 12 bar (1200 KPa) Constant pressure range: 1-12 bar (3 bar by default) Min. fluid temperature : 0 °C Max. fluid temperature : 50 °C Max. Ambient temperature : 55 °C																																	
Requested data Flow : Head : Fluid : Water Fluid Temperature : 20 °C Density : 998,3 kg/m³ Kinematic viscosity : 1,005 mm²/s Vapor pressure : 2,34 kPa																																	
Materials Fitting: Technopolymer PA66 30%GF Manifold: Stainless Steel AISI 304 Flange: Technopolymer PA66 30%GF Pump body: Technopolymer PA66 30%GF Pump body ring: Technopolymer PP 30%GF Impeller: Technopolymer PP 30%GF/AISI 304 Diffuser: Technopolymer PP 30%GF/AISI 304 Motor axis: Stainless Steel AISI 303 OR ring: EPDM Motor flange: Technopolymer PA66 30%GF Mechanical seal: Graphite/Stainless Steel/EPDM Motor liner: Stainless Steel AISI 304 Motor body: Technopolymer PA66 30%GF Conveyor tube: Technopolymer PP 30%GF Pressure sensor: Nylon/EPDM Non-return valve: POM/EPDM/AISI 302 Non-return valve body: Technopolymer PA66 30%GF Tank: Noryl/Rubber Delivery body: Technopolymer PA66 30%GF Outer liner: Stainless Steel AISI 304																																	
Motor data Power input P1 : 1 x 3,5 kW Rated speed : 5.350 1/min Rated voltage : 3~ 380-460 V 50 Hz Nominal current : 1 x 5,5 A Degree of protection : IP X5																																	
Hydraulic data (duty point) Flow : Head :																																	
<table border="1"> <thead> <tr> <th colspan="2">Dimensions in</th> <th colspan="2">mm</th> </tr> </thead> <tbody> <tr> <td>A</td> <td>375</td> <td>E</td> <td>127,7</td> </tr> <tr> <td>B</td> <td>384</td> <td>F</td> <td>526</td> </tr> <tr> <td>C</td> <td>131,8</td> <td>G</td> <td>45</td> </tr> <tr> <td>D</td> <td>124,5</td> <td>H</td> <td>766</td> </tr> <tr> <td>DNA</td> <td>1"1/4 - :</td> <td>H1</td> <td>613</td> </tr> <tr> <td>DNM</td> <td>1"1/4 - :</td> <td>H2</td> <td>228</td> </tr> </tbody> </table>	Dimensions in		mm		A	375	E	127,7	B	384	F	526	C	131,8	G	45	D	124,5	H	766	DNA	1"1/4 - :	H1	613	DNM	1"1/4 - :	H2	228	<table border="1"> <tbody> <tr> <td>H3</td> <td>87</td> </tr> <tr> <td>L</td> <td>59,5</td> </tr> </tbody> </table>	H3	87	L	59,5
Dimensions in		mm																															
A	375	E	127,7																														
B	384	F	526																														
C	131,8	G	45																														
D	124,5	H	766																														
DNA	1"1/4 - :	H1	613																														
DNM	1"1/4 - :	H2	228																														
H3	87																																
L	59,5																																
Weight : 39 kg																																	
Pump connection Suction side : 1"1/4 - 2" G / 12 bar (1200 KPa) Discharge side : 1"1/4 - 2" G / 12 bar (1200 KPa)																																	

ENERGY SAVING

BEFORE

AFTER

- 20%
Compared with
traditional inverter pump



D+CONNECT
BUILT-IN

ANDROID APP ON Google play

Download on the App Store



As quick as a "click"





WATER • TECHNOLOGY

PERFORMANCE CURVES

2021-06-1C

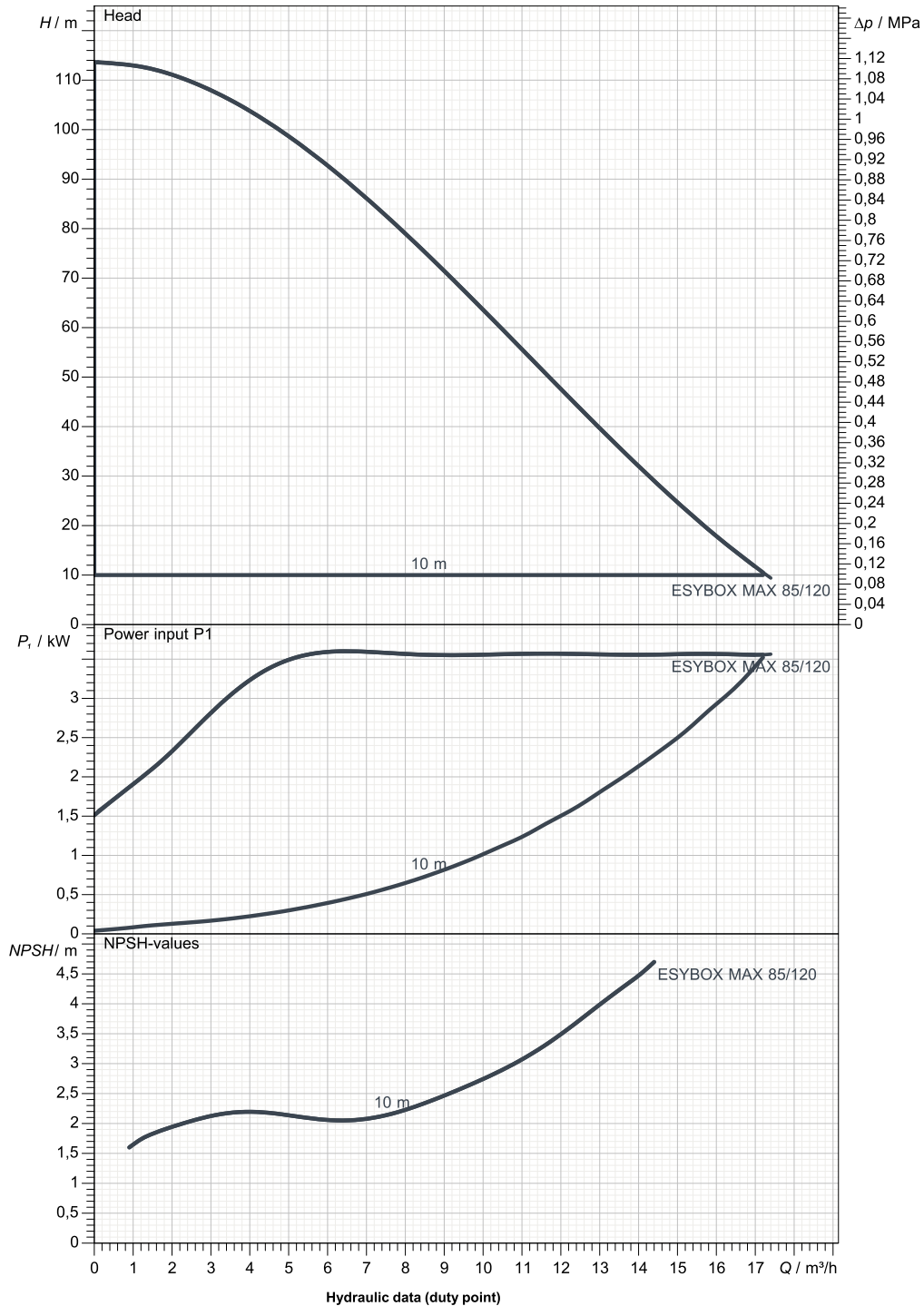
Page 3 / 4

DAB PUMPS S.p.A.
Via Marco Polo, 14 - 35035 Mestrino (PD), Italy
Tel. +39 049 5125000 - Fax +39 049 5125950
www.dabpumps.com

	Receiver	From
Society Reference Address Phone Fax E-mail		

1 ESYBOX MAX 85/120 T

Curve tolerance according to ISO 9906



Suction side : 1"1/4 - 2" G 12 bar (1200 KPa)	Discharge side : 1"1/4 - 2" G 12 bar (1200 KPa)	Flow :	Head :	Rated speed : 5.350 1/min
MAIN_PROJECT_TITLE	BUSINESS_PROCESS_IT	OWNER_	ISSUE_DATE 2021-06-10	



DIMENSIONAL DRAWING

2021-06-1C

Page 4 / 4

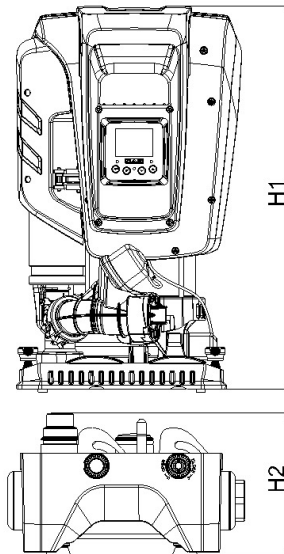
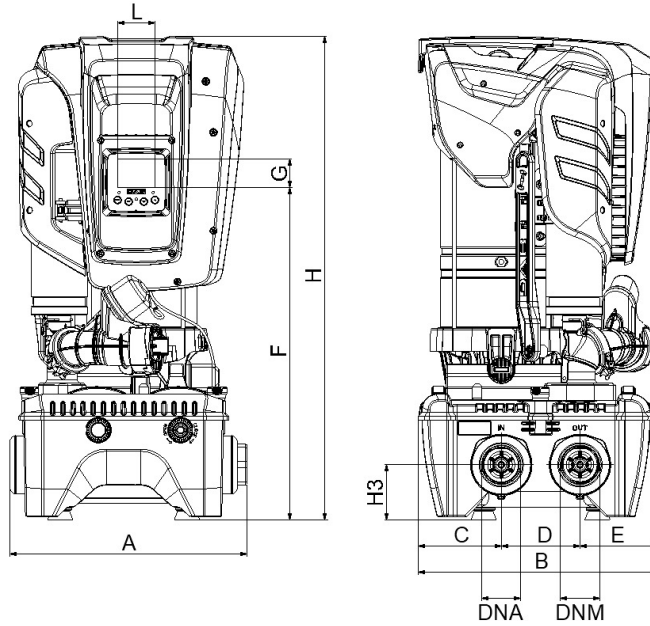
DAB PUMPS S.p.A.
Via Marco Polo, 14 - 35035 Mestrino (PD), Italy
Tel. +39 049 5125000 - Fax +39 049 5125950
www.dabpumps.com

Receiver

From

Society
Reference
Address
Phone
Fax
E-mail

1 ESYBOX MAX 85/120 T



Dimensions in mm

1	A	375	H3	87		
2	B	384	L	59,5		
3	C	131,8				
4	D	124,5				
5	DNA	1"1/4 - 2"				
6	DNM	1"1/4 - 2"				
7	E	127,7				
8	F	526				
9	G	45				
10	H	766				
11	H1	613				
12	H2	228				

Pump connection

Suction
1"1/4 - 2" G
12 bar (1200 KPa)

Discharge
1"1/4 - 2" G
12 bar (1200 KPa)

MAIN_PROJECT_TITLE

BUSINESS_PROCESS_IC

OWNER_

ISSUE_DATE

2021-06-10