

Receiver
From

 Society
 Reference
 Address
 Phone
 Fax
 E-mail

Item n° :
Model :

2 ESYBOX MAX 60/120 M

Pump data

 Pressure rating : 12 bar (1200 KPa)
 Constant pressure range: 1-12 bar (3 bar by default)
 Min. fluid temperature : 0 °C
 Max. fluid temperature : 50 °C
 Max. Ambient temperature : 55 °C

Requested data

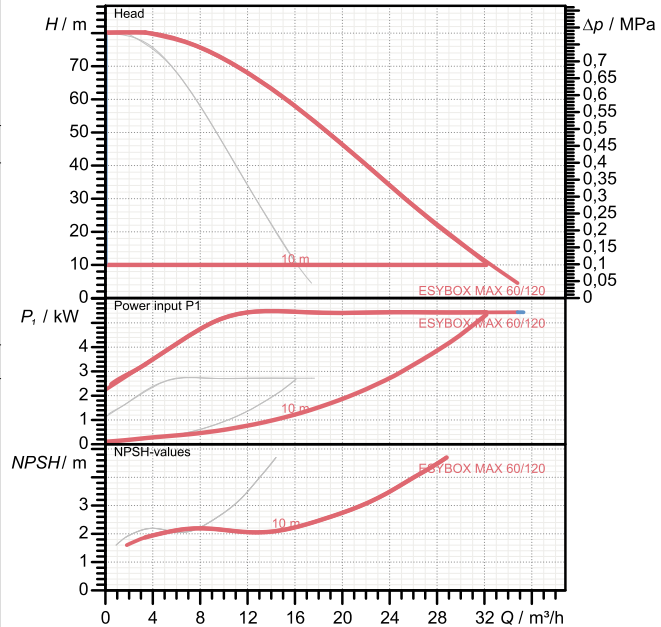
 Flow :
 Head :
 Fluid : Water
 Fluid Temperature : 20 °C
 Density : 998,3 kg/m³
 Kinematic viscosity : 1,005 mm²/s
 Vapor pressure : 2,34 kPa

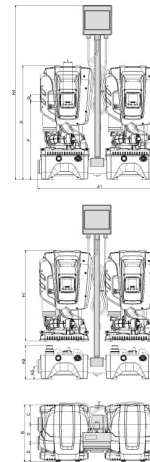
Materials

Fitting	Technopolymer PA66 30%GF
Manifold	Stainless Steel AISI 304
Flange	Technopolymer PA66 30%GF
Pump body	Technopolymer PA66 30%GF
Pump body ring	Technopolymer PP 30%GF
Impeller	Technopolymer PP 30%GF/AISI 304
Diffuser	Technopolymer PP 30%GF/AISI 304
Motor axis	Stainless Steel AISI 303
OR ring	EPDM
Motor flange	Technopolymer PA66 30%GF
Mechanical seal	Graphite/Stainless Steel/EPDM
Motor liner	Stainless Steel AISI 304
Motor body	Technopolymer PA66 30%GF
Conveyor tube	Technopolymer PP 30%GF
Pressure sensor	Nylon/EPDM
Non-return valve	POM/EPDM/AISI 302
Non-return valve body	Technopolymer PA66 30%GF
Tank	Noryl/Rubber
Delivery body	Technopolymer PA66 30%GF
Outer liner	Stainless Steel AISI 304

Motor data

 Power input P1 : 2 x 2,7 kW
 Rated speed : 5.240 1/min
 Rated voltage : 1~ 208-240 V 50 Hz
 Nominal current : 2 x 12 A
 Degree of protection : IP X5

Curve tolerance according to ISO 9906

Hydraulic data (duty point)

 Flow :
 Head :


*Without the pillar kit and panel, do not consider the H4

Dimensions in mm

A1	811	E	127,7	H3	87		
B	384	F	526	H4	1.172		
C	131,8	G	45	L	59,5		
D	124,5	H	766				
DNA	2"	H1	613				
DNM	2"	H2	228				

Weight : 76 kg

Pump connection

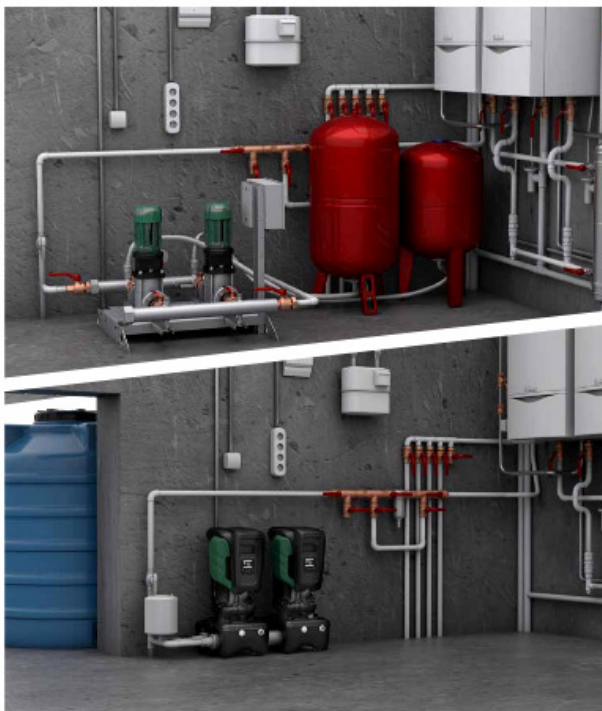
 Suction side : 2" G / 12 bar (1200 KPa)
 Discharge side : 2" G / 12 bar (1200 KPa)

ENERGY SAVING

BEFORE

AFTER

- 20%
Compared with
traditional inverter pump



D+CONNECT
BUILT-IN

ANDROID APP ON Google play

Download on the App Store



As quick as a "click"





WATER • TECHNOLOGY

PERFORMANCE CURVES

2021-06-1C

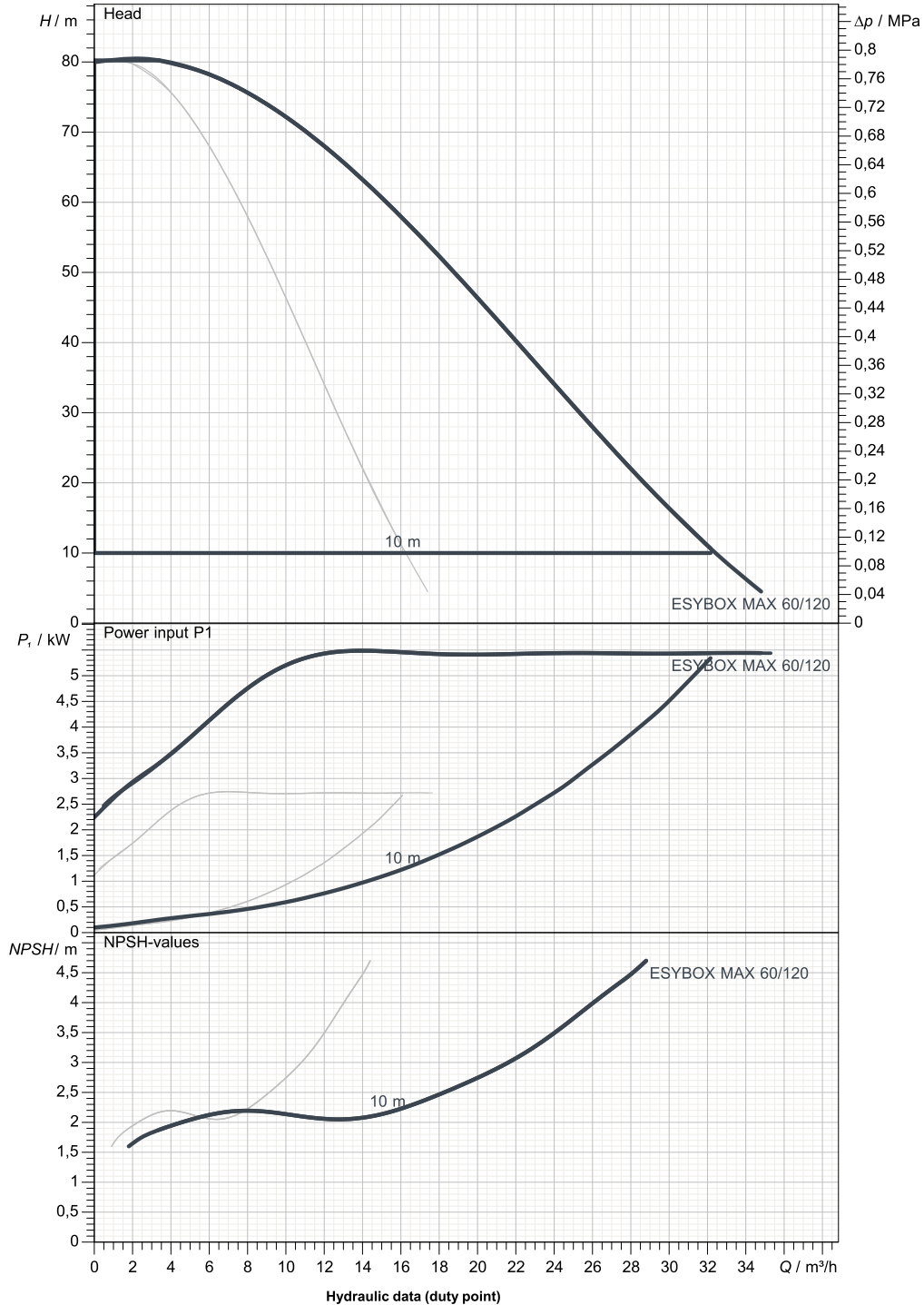
Page 3 / 4

DAB PUMPS S.p.A.
Via Marco Polo, 14 - 35035 Mestrino (PD), Italy
Tel. +39 049 5125000 - Fax +39 049 5125950
www.dabpumps.com

	Receiver	From
Society Reference Address Phone Fax E-mail		

2 ESYBOX MAX 60/120 M

Curve tolerance according to ISO 9906



Suction side : 2" G 12 bar (1200 KPa)	Discharge side : 2" G 12 bar (1200 KPa)	Flow :	Head :	Rated speed : 5.240 1/min
MAIN_PROJECT_TITLE	BUSINESS_PROCESS_IT	OWNER_	ISSUE_DATE 2021-06-10	



DIMENSIONAL DRAWING

2021-06-1C

Page 4 / 4

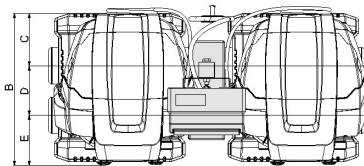
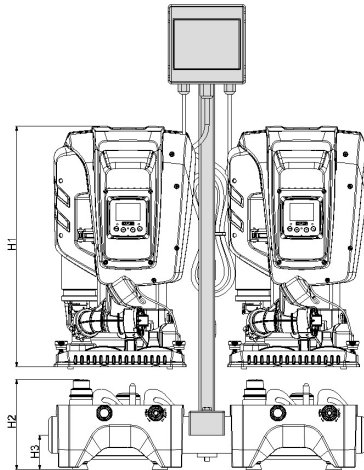
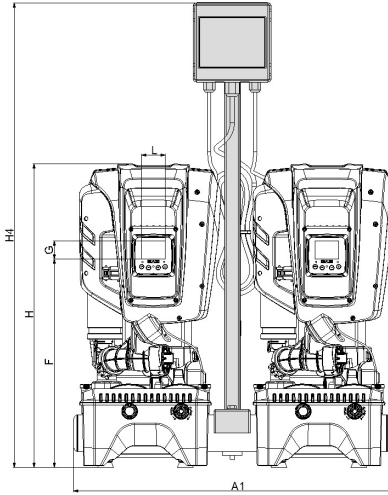
DAB PUMPS S.p.A.
Via Marco Polo, 14 - 35035 Mestrino (PD), Italy
Tel. +39 049 5125000 - Fax +39 049 5125950
www.dabpumps.com

Receiver

From

Society
Reference
Address
Phone
Fax
E-mail

2 ESYBOX MAX 60/120 M



*Without the pillar kit and panel, do not consider the H4

Dimensions in mm					Pump connection	
1	A1	811	H3	87		
2	B	384	H4	1.172		Suction
3	C	131,8	L	59,5		2" G
4	D	124,5				12 bar (1200 KPa)
5	DNA	2"				
6	DNM	2"				
7	E	127,7				Discharge
8	F	526				2" G
9	G	45				12 bar (1200 KPa)
10	H	766				
11	H1	613				
12	H2	228				

MAIN_PROJECT_TITLE

BUSINESS_PROCESS_IC

OWNER_

ISSUE_DATE

2021-06-10