

### Receiver

### From

Company  
Reference  
Address  
Phone  
Fax  
E-mail

**Item n° :** 102110162  
**Customer pos. no.:**

**Model :**  
K 36/100 M

#### Pump data

MEI  $\geq$  0,70  
Pressure rating : 0,6 MPa  
Min. fluid temperature : -10 °C  
Max. fluid temperature : 50 °C  
Max. Ambient temperature : 40 °C

#### Requested data

Flow :  
Head :  
Fluid : Water  
Fluid Temperature : 20 °C  
Density : 998,3 kg/m<sup>3</sup>  
Kinematic viscosity : 1,005 mm<sup>2</sup>/s  
Vapor pressure : 0,00 MPa

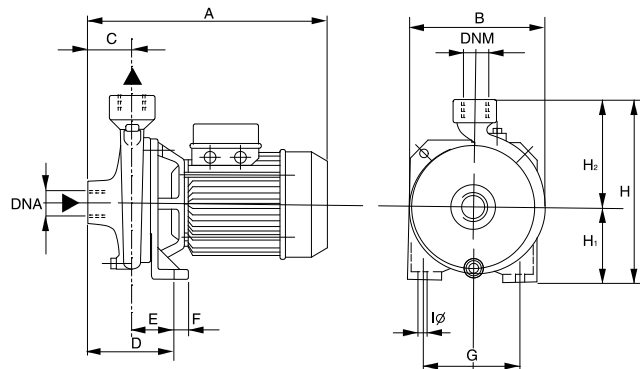
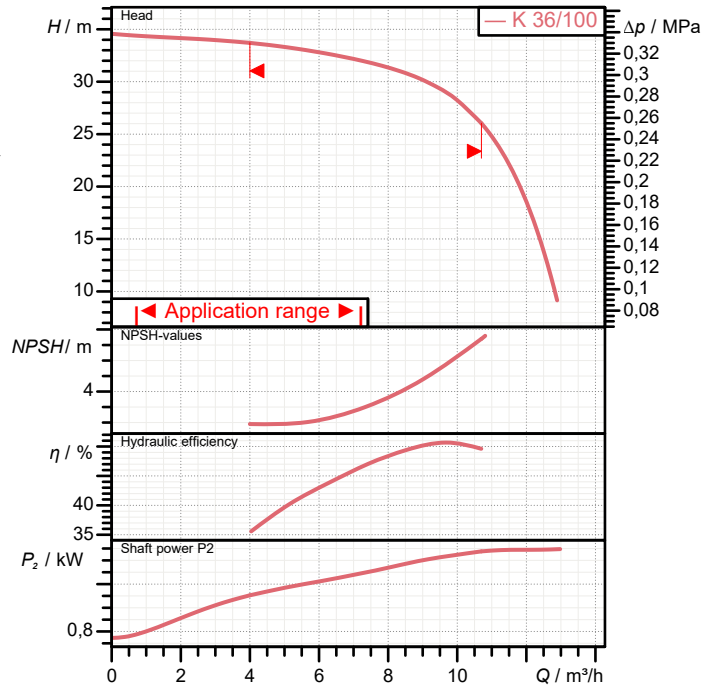
#### Hydraulic data (duty point)

Flow :  
Head :  
NPSH :  
Shaft power P<sub>2</sub> :  
Efficiency :

#### Materials

Pump body : Cast iron 200 UNI ISO 185  
Support : Cast iron 200 UNI ISO 185  
Impeller : Technopolymer A  
Mechanical seal : Carbon/Ceramic  
O-Ring : NBR Rubber  
Shaft with rotor : AISI 303 X10 CrNiS 1809 UNI 6900/71

#### Curve tolerance according to ISO 9906



**Weight :** 23,3 kg

#### Motor data

Motor brand : DAB  
Nominal power P<sub>2</sub> : 1,85 kW  
Rated speed : 2.850 1/min  
Rated voltage : 1~ 220-240 V 50 Hz  
Nominal current : 8,8 A  
Degree of protection : IP 44

#### Dimensions in mm

A	333
B	200
C	50
D	114
DNA	1" 1/2 G
DNM	1" G
E	64
F	15
G	140
H	255
H1	105
H2	150
IØ	9

#### Pump connection

Suction side : 1" 1/2 G / 0,6 MPa  
Discharge side : 1" G / 0,6 MPa



# PERFORMANCE CURVES

2023-06-23

Page 2 / 3

DAB PUMPS S.p.A.  
Via Marco Polo, 14 - 35035 Mestrino (PD), Italy  
Tel. +39 049 5125000 - Fax +39 049 5125950  
www.dabpumps.com

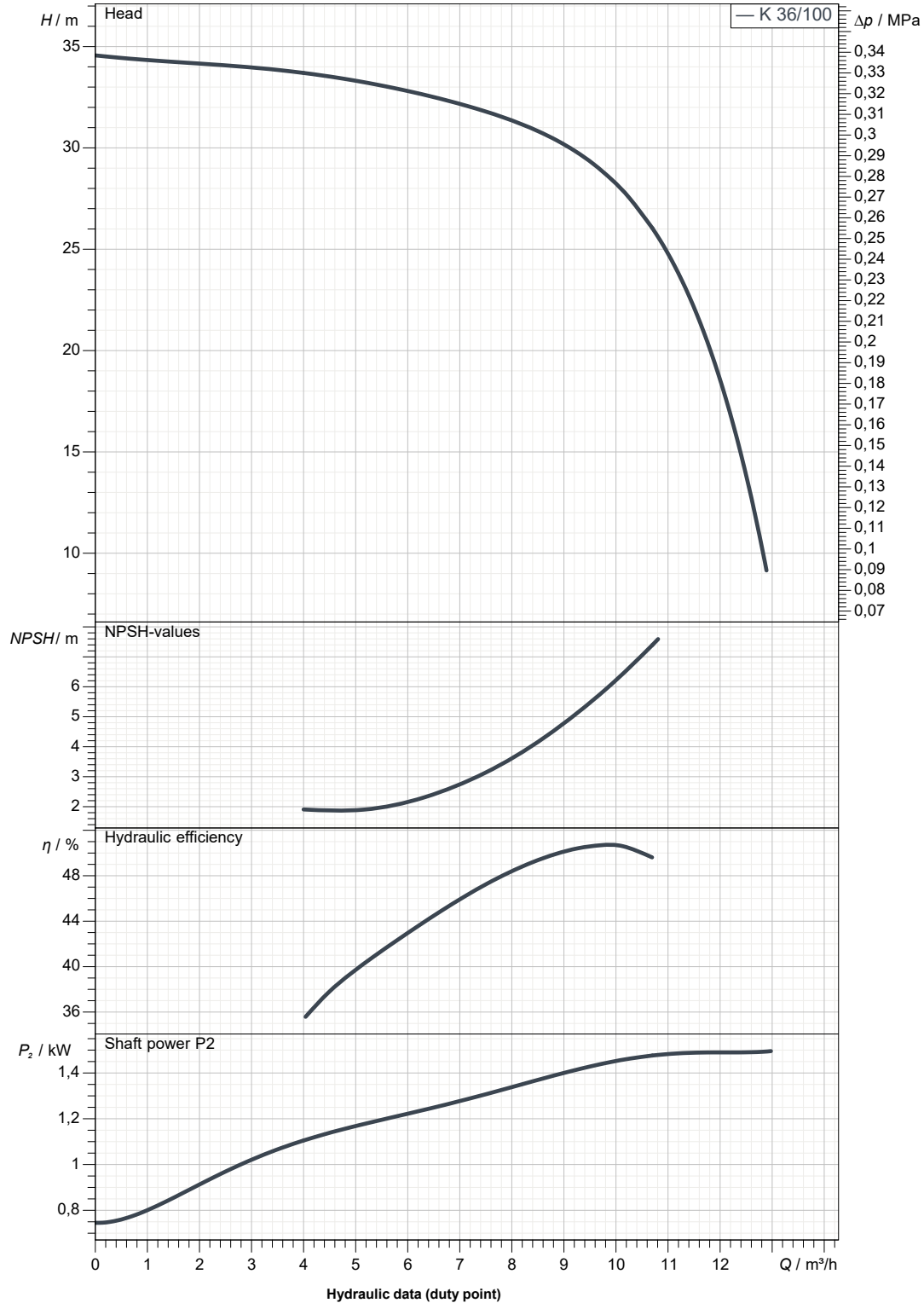
Receiver

From

Company  
Reference  
Address  
Phone  
Fax  
E-mail

## K 36/100 M

Curve tolerance according to ISO 9906



Suction side :  
1" 1/2 G  
0,6 MPa

Discharge side :  
1" G  
0,6 MPa

Flow :

Head :

Rated speed :  
2.850 1/min

MAIN\_PROJECT\_TITLE

BUSINESS\_PROCESS\_ID

OWNER\_

ISSUE\_DATE  
2023-06-23



# DIMENSIONAL DRAWING

2023-06-23

Page 3 / 3

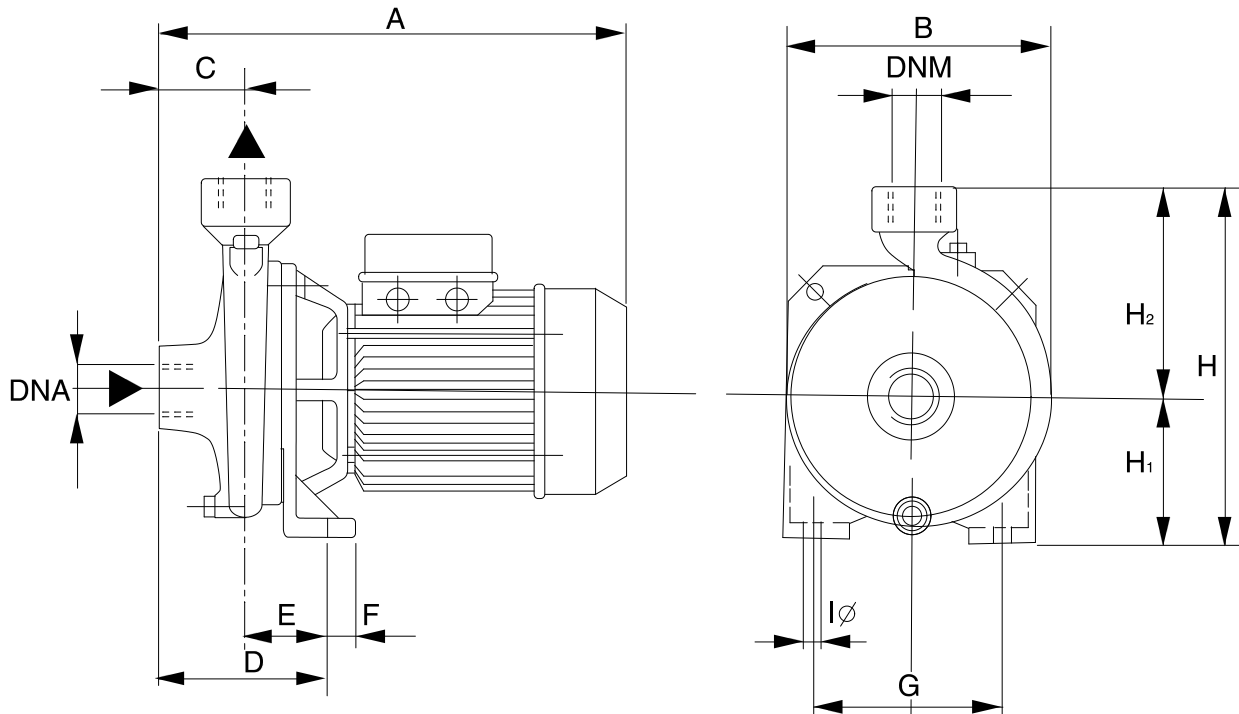
DAB PUMPS S.p.A.  
Via Marco Polo, 14 - 35035 Mestrino (PD), Italy  
Tel. +39 049 5125000 - Fax +39 049 5125950  
www.dabpumps.com

Receiver

From

Company  
Reference  
Address  
Phone  
Fax  
E-mail

## K 36/100 M



**Dimensions in mm**

**Pump connection**

1	A	333	H2	150		
2	B	200	Iø	9		Suction
3	C	50				1" 1/2 G
4	D	114				0,6 MPa
5	DNA	1" 1/2 G				
6	DNM	1" G				Discharge
7	E	64				1" G
8	F	15				0,6 MPa
9	G	140				
10	H	255				
11	H1	105				

MAIN\_PROJECT\_TITLE

BUSINESS\_PROCESS\_ID

OWNER

ISSUE\_DATE

2023-06-23