



DATA SHEET

2011-08-17

Page 1 / 3

DAB PUMPS S. p. A.
Via Marco Polo, 14 - 35035 Mestrino (PD) - Italy
Ph. +39 049 9048811 - Fax +39 049 9048847
Http://www.dabpumps.com

Receiver

From

Societa
Reference
Address
Telephone
Fax
E-mail

Item no. 102120162

Pump data :

Model :
K 55/50 M
Pressure rating : 8 bar (800 kPa)
Min. fluid temperature : -15 °C
Max. fluid temperature : 110 °C
Max. Temperature operating : 40 °C

Requested data :

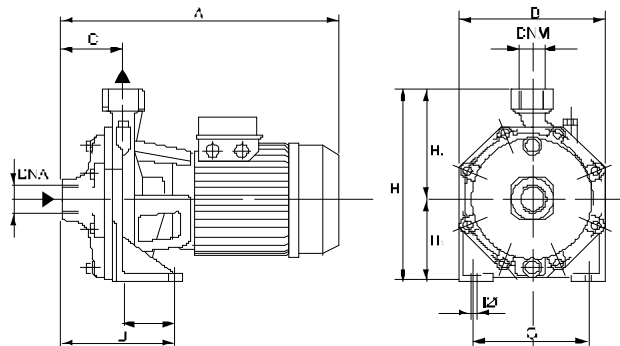
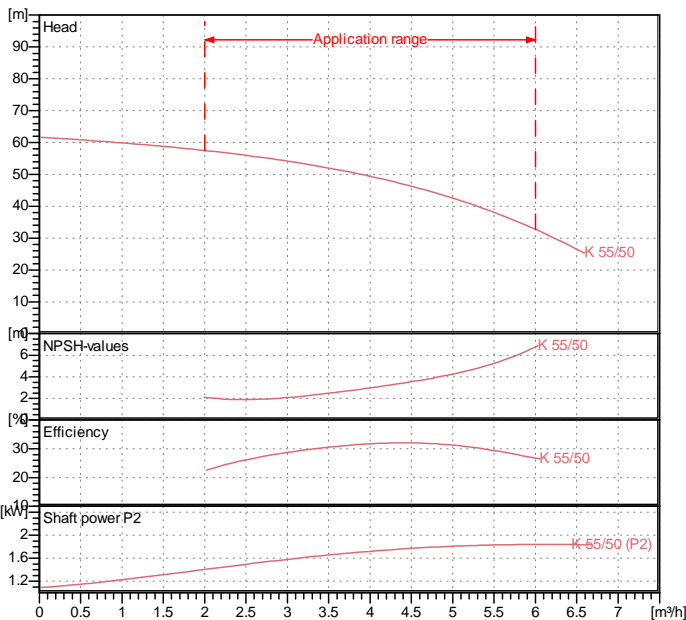
Flow 0.00 m³/h
Flow 0.00 m
Fluid : Water, pure
Fluid Temperature : 20 °C
Density : 0.9983 kg/dm³
Kinematic viscosity 1.005 mm²/s
Vapor pressure : 2.34 kPa

Hydraulic data (duty point)

Flow
Flow
NPSH :
Shaft power P2 :
Efficiency :

Materials :

Pump body Cast iron 200 UNI ISO 185
Support Cast iron 200 UNI ISO 185
Impeller Technopolymer B
Mechanical seal Carbon/Ceramic
OR ring Rubber NBR
Shaft with rotor AISI 303 X10 CrNiS 1809 UNI 6900/71
Intermediate cover Cast iron 200 UNI ISO 185



Weight : 23.8 kg

Motor data :

Trade mark : DAB
Nominal power P2 : 1.85 kW
Rated speed: 2850 1/min
Rated voltage : 1- 230 V 50 Hz
Nominal current : 12.8 A
Degree of protection : IP 55

Dimension

mm

A	370	H2	150
B	210	∅	11.5
C	75		
D	144		
DNA	1"1/4 G		
DNM	1" G		
E	69		
F	15		
G	165		
H	268		
H1	118		

Pump connection

Suction side 1 " 1/4 G/ 8 bar (800 kPa)
Discharge side 1 " G / 8 bar (800 kPa)



PERFORMANCE CURVES

DAB PUMPS S. p. A.
Via Marco Polo, 14 - 35035 Mestrino (PD) - Italy
Ph. +39 049 9048811 - Fax +39 049 9048847
Http://www.dabpumps.com

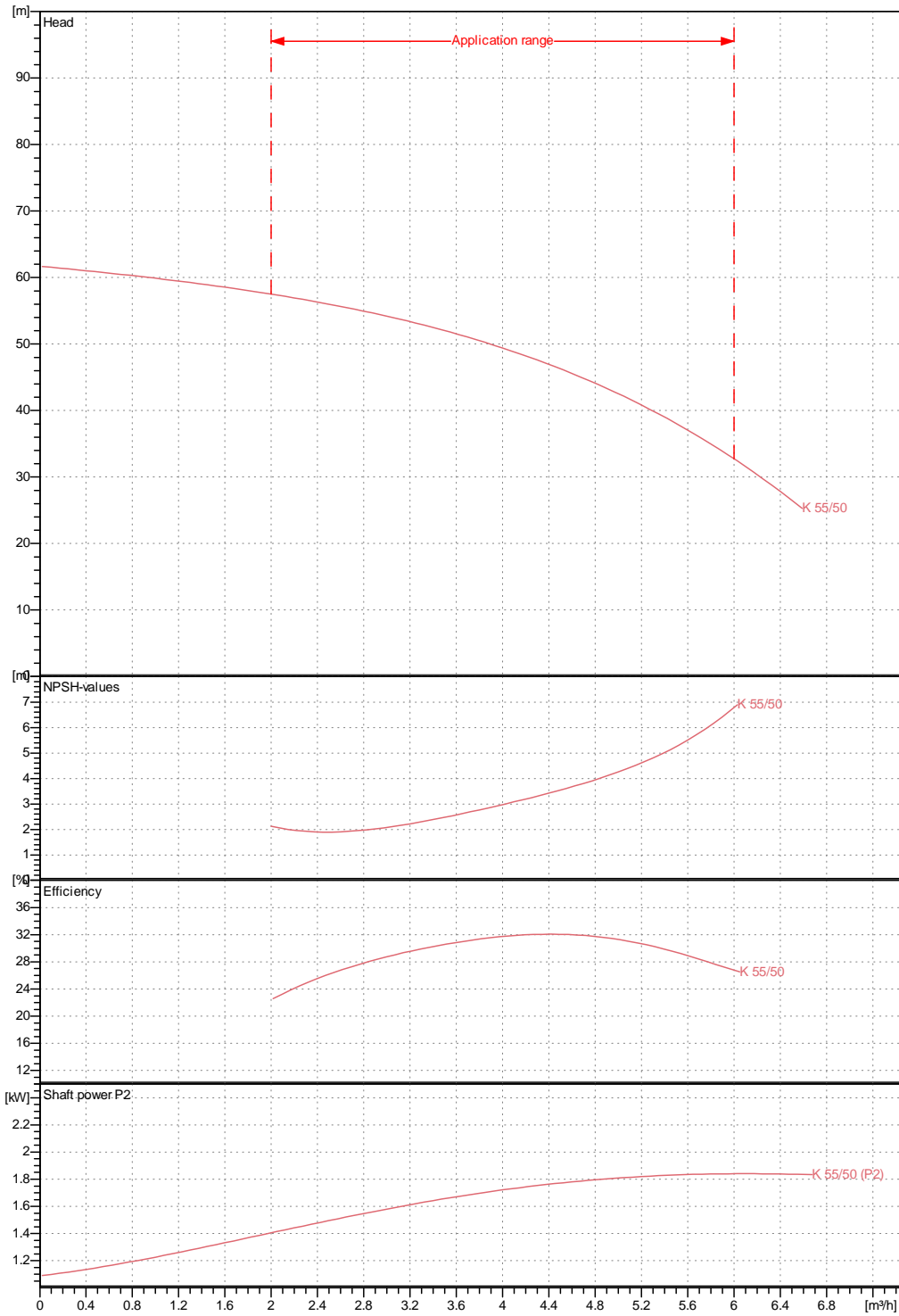
2011-08-17

Receiver

From

Societa
Reference
Address
Telephone
Fax
E-mail

K 55/50 M



Hydraulic data (duty piont)

Suction side 1 " 1/4 G bar (800 kPa)	Discharge side 1 " G / 8 bar (800 kPa)	Flow 0 m³/h	Flow 0 m	Speed 2850 1/min
Project		Project ID		Created by
				Created on 2011-08-17



DIMENSIONAL DRAWING

2011-08-17

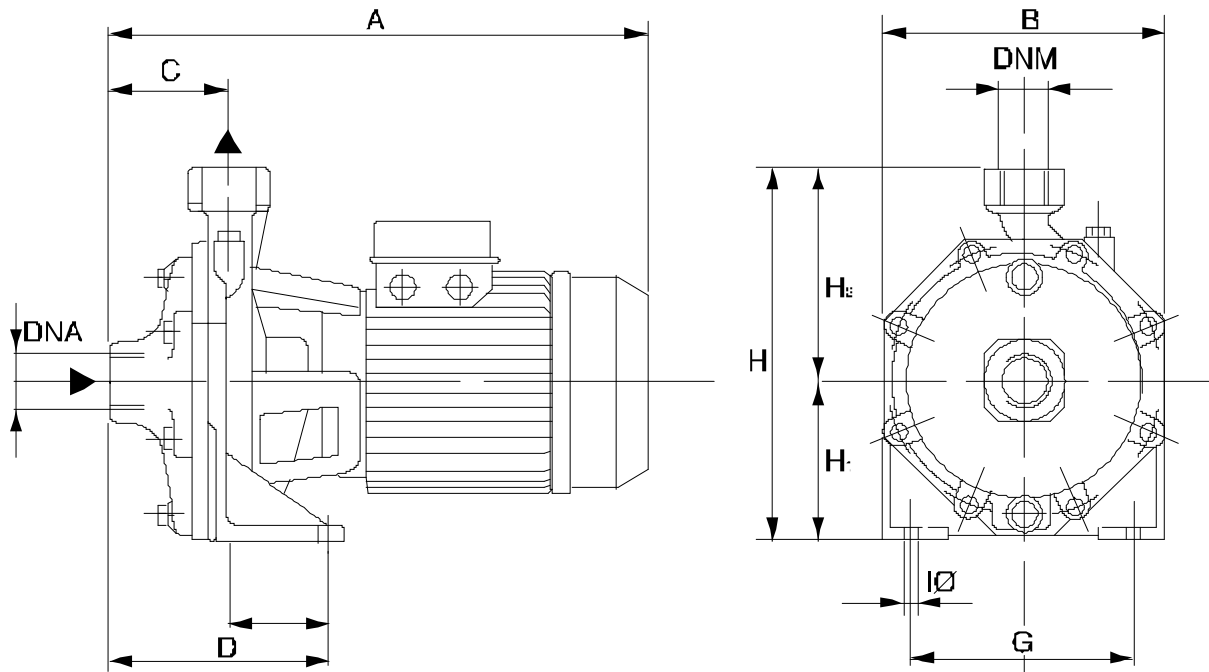
DAB PUMPS S. p. A.
Via Marco Polo, 14 - 35035 Mestrino (PD) - Italy
Ph. +39 049 9048811 - Fax +39 049 9048847
Http://www.dabpumps.com

Receiver

From

Societa
Reference
Address
Telephone
Fax
E-mail

K 55/50 M



Dimensions in mm

Pump connection

1	A	370	H1	118																
2	B	210	H2	150																
3	C	75	Ø	11.5																
4	D	144																		
5	DNA	1"1/4 G																		
6	DNM	1" G																		
7	E	69																		
8	F	15																		
9	G	165																		
10	H	268																		

Suction
1 " 1/4 G
8 bar (800 kPa)

Discharge
1 " G
8 bar (800 kPa)

Project	Project ID	Created by	Created on 2011-08-17
---------	------------	------------	---------------------------------