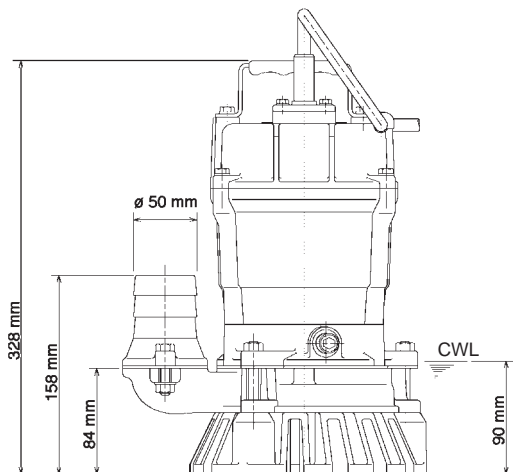
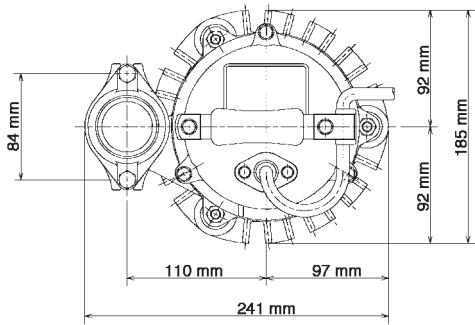
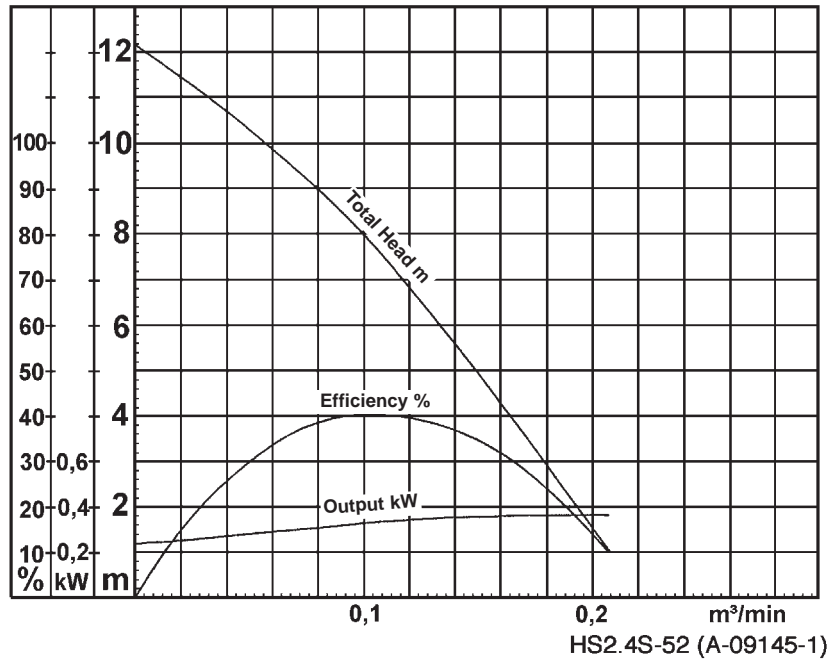


Data Sheet HS2.4S-52



CWL = Continuous running water level HS2.4S-52 (A-09152-1)



Classification

Electric submersible pump
 Protection class IP68
 Depth of submersion max. 20m
 Semi-vortex impeller with Agitator
 Max. solid handling 7mm
 Suitable for rain water, ground water, sand carrying water

Electric Motor

Dry-type submersible induction motor
 Insulation class E, 2 poles, 2723 r.p.m.
 Capacitor start
 Voltage: 110V/230V, 50Hz, 1-phase
 Power input: 0,58kW
 Power output: 0,40kW
 Nominal current: 5,5A(110V) / 2,6A(230V)
 Start current: 14,2A(110V) / 6,8A(230V)

Electric cable

10m HO7RN-F 3Cx1,5mm² (110V)
 10m HO7RN-F 3Cx1mm² (230V)

Motor Protection

Miniatur protector in windings
 (snap-action bi-metal device)

Shaft Seal

Double mechanical seal in oil bath
 additional lubrication by oil lifting device
 Primary Seal:
 silicon carbide on silicon carbide
 Secondary Seal:
 carbon on ceramic

Bearings

Shielded ball bearings, maintenance-free

Materials

Impeller: Urethane rubber
 Casing: FCD700 (EN-GJS-700-2)
 Motor frame: Aluminium alloy casting
 Shaft: SUS403 (EN-X6Cr13)

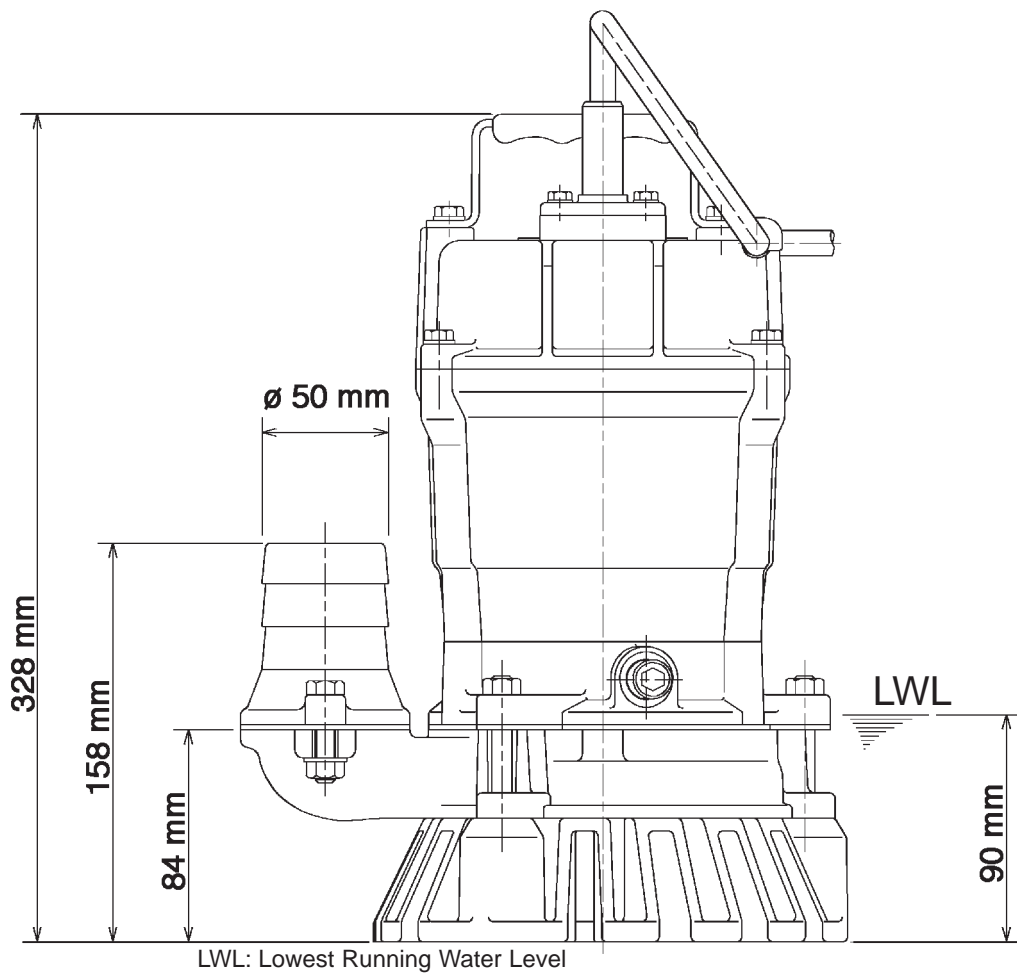
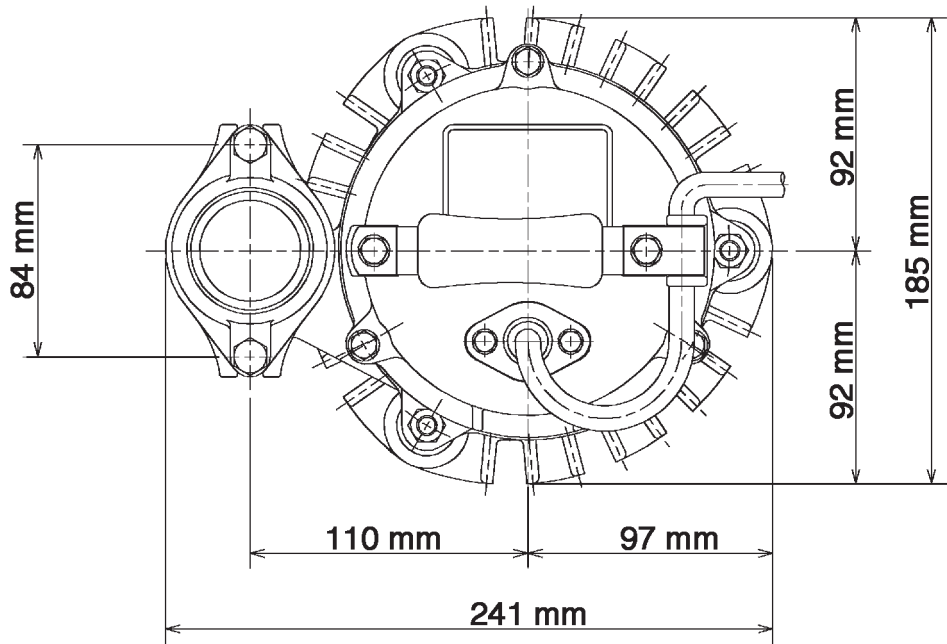
Discharge Connection

2" (50mm) BS-Coupling (threaded flange)

Weight

11,3 kg (dry weight of the pump without cable)

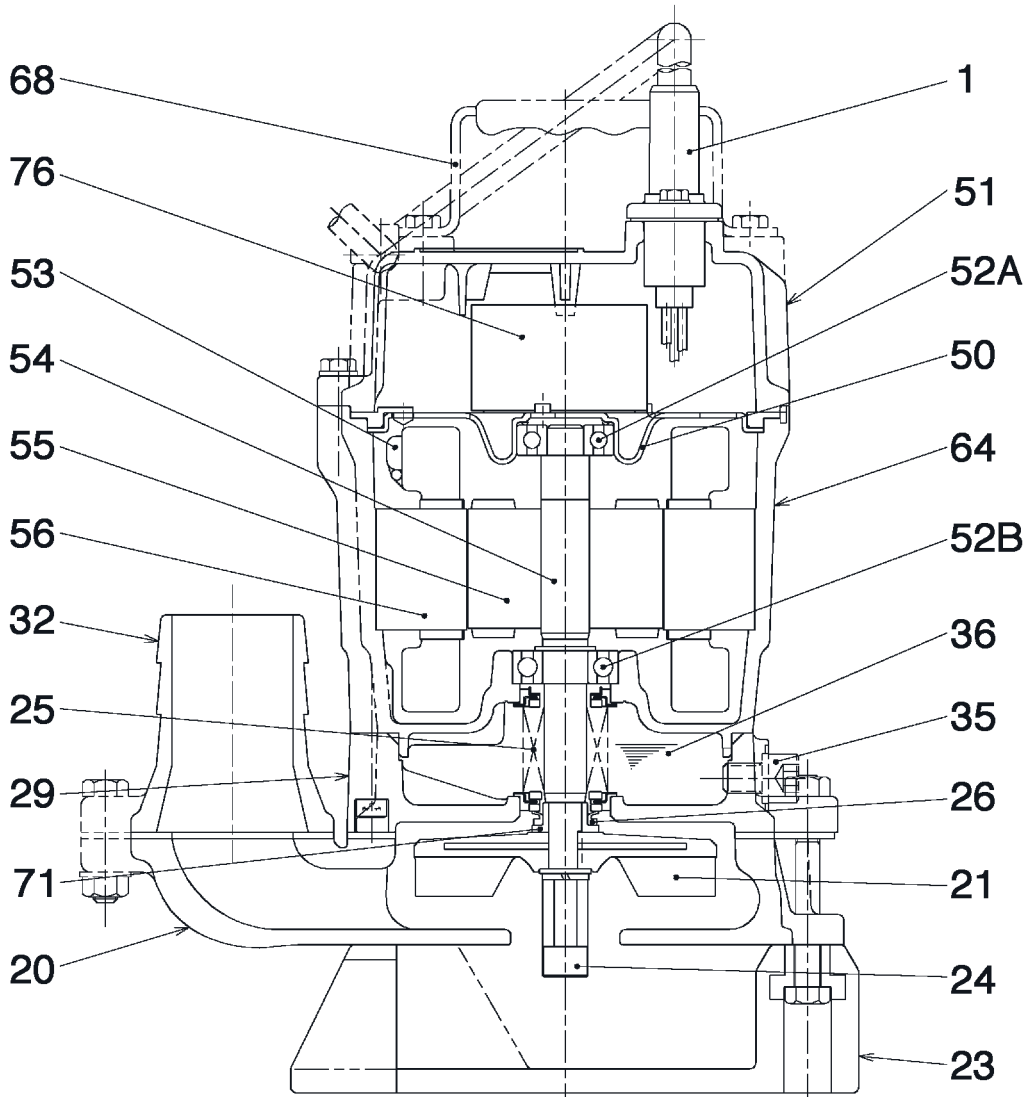
Dimensional Drawing HS2.4S-52



LWL: Lowest Running Water Level

HS2.4S-52 (A-09152-1)

Sectional Drawing HS2.4S-52



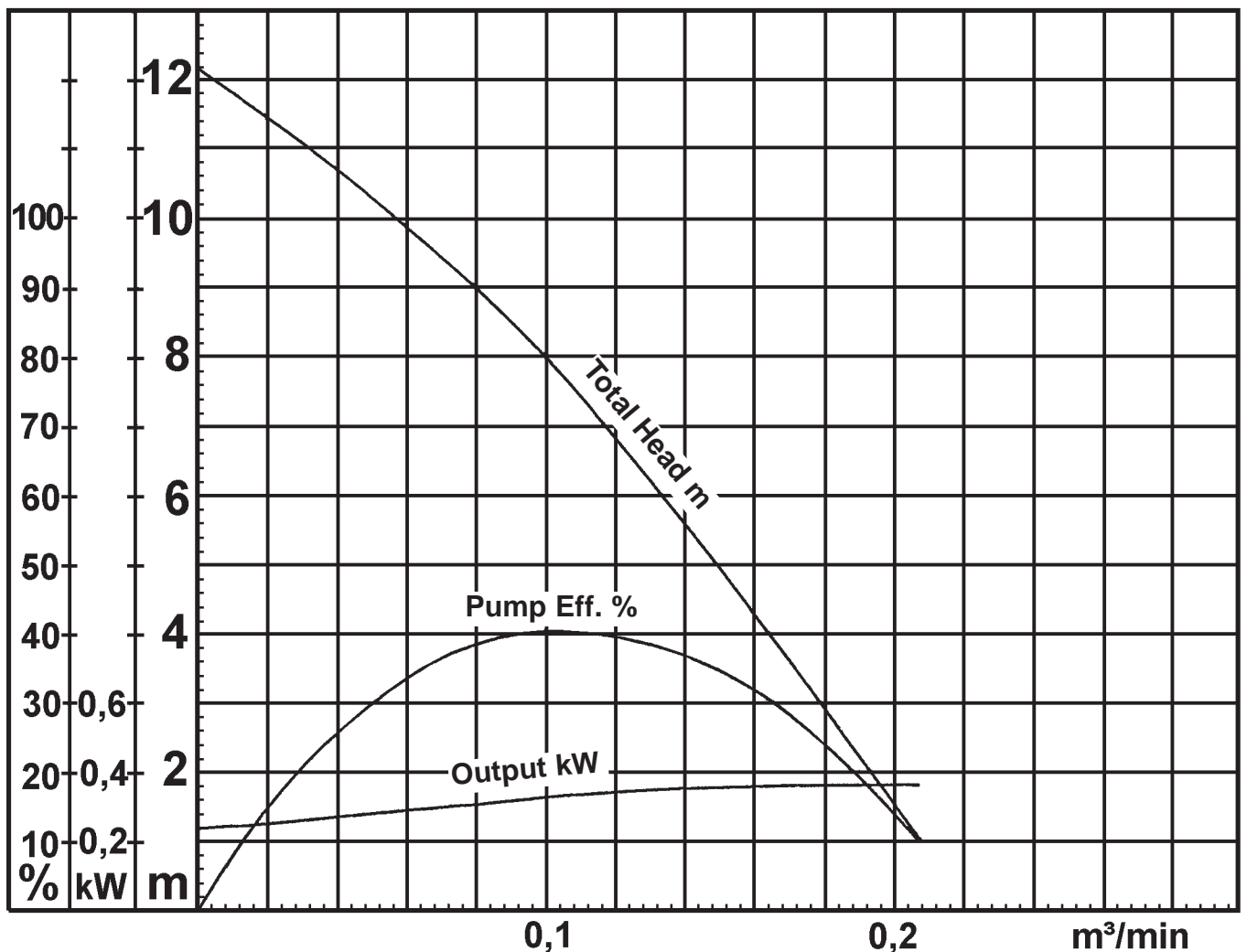
HS2.4S-52 (A-09153-1)

No.	Description	Qty.	Remarks	No.	Description	Qty.	Remarks
1	Cable	1	H07RN3Cx1mm≈x10m	51	Head Cover	1	Aluminium die casting
20	Pump Casing	1	FCD700 (EN-GJS-700-2)	52A	Upper Bearing	1	6201ZZC3
21	Impeller	1	Urethane rubber	52B	Lower Bearing	1	6202ZZC3
23	Strainer Stand	1	PVC	53	Motor Protector	1	
24	Stirrer	1	Sintered Alloy	54	Shaft	1	SUS403 (EN-X6Cr13)
25	Mechanical Seal	1	W-14VL	55	Rotor	1	
26	V-Seal	1	Nitril Butadiene Rubber	56	Stator Complete	1	
29	Oil Casing	1	FC200 (EJ-GJL-200)	64	Motor Frame	1	Aluminium die casting
32	Hose Coupling	1	Aluminium alloy casting	68	Handle	1	Steel plate/natural rubber
35	Oil Plug	1	SUS304 (EN-X5CrNi18-10)	71	Shaft Sleeve	1	SUS304 (EN-X5CrNi18-10)
36	Lubricant	1	Turbine oil ISO VG 32	76	Capacitor	1	
50	Motor Bracket	1	Steel plate				

Pump Performance Curve

HS2.4S-52

Discharge Bore	50 mm
Total Head	8 m
Capacity	0,10 m ³ /min
Motor Output	0,40 kW
Motor Input	0,58 kW
Phase	1
Voltage	110/230 V
Frequency	50 Hz
Rated Current	5,5/2,6 A
Starting Current	14,2/6,8 A
Poles	2
Revolution	S.S. 2723 r.p.m.
Starting Method	Capacitor
Insulation Class	E



HS2.4S-52 (A-09145-1)