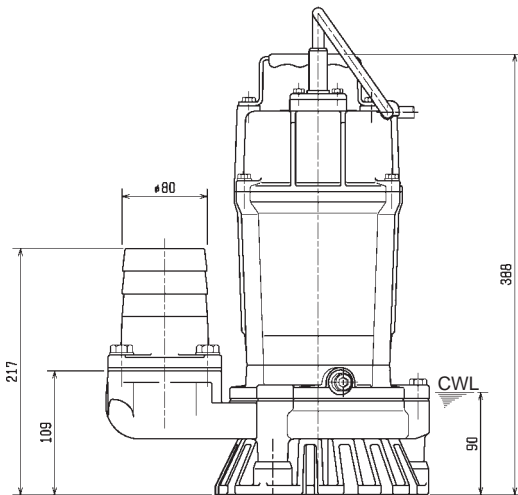
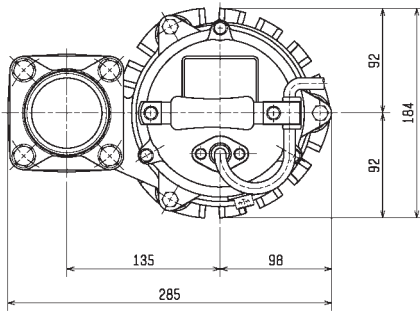
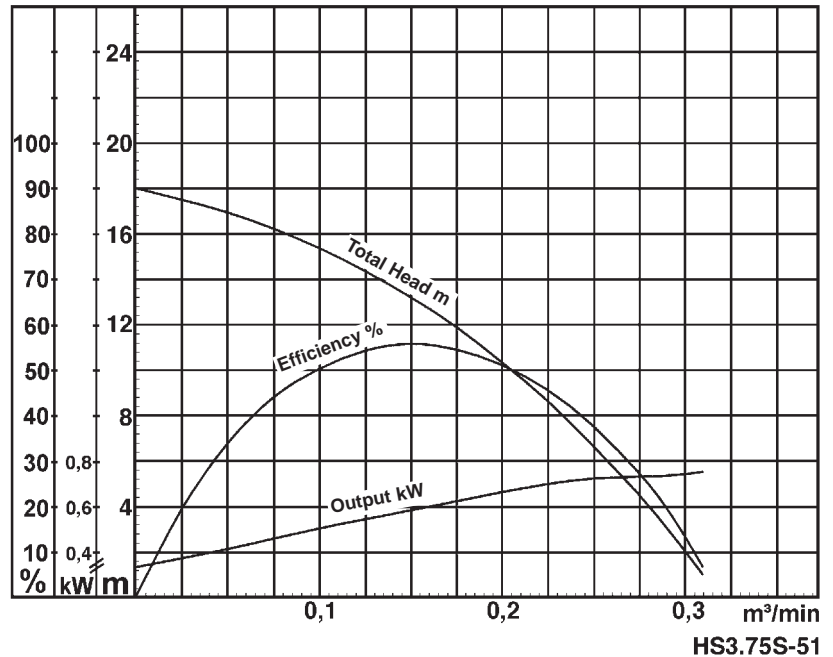


Data Sheet HS3.75S-51



CWL = Continuous running water level
HS3.75S-51
dimensions in mm



Classification

Electric submersible pump
Protection class IP68
Depth of submersion max. 20m
Semi-vortex impeller with Agitator
Max. solid handling 7mm
Suitable for rain water, ground water, sand carrying water

Electric Motor

Dry-type submersible induction motor
Insulation class E, 2 poles, 2812 r.p.m.
Capacitor start
Voltage: 110V/230V, 50Hz, 1-phase
Power input: 1,05kW
Power output: 0,75kW
Nominal current: 10,0A(110V) / 4,6A(230V)
Start current: 27,0A(110V) / 14,0A(230V)

Electric cable

10m HO7RN-F 3Cx1,5mm² (110V)
10m HO7RN-F 3Cx1mm² (230V)

Motor Protection

Circle thermal protector
(snap-action bi-metal device)

Shaft Seal

Double mechanical seal in oil bath
additional lubrication by oil lifting device
Primary Seal:
silicon carbide on silicon carbide
Secondary Seal:
carbon on ceramic

Bearings

Shielded ball bearings, maintenance-free

Materials

Impeller: Urethane rubber
Casing: FCD700 (EN-GJS-700-2)
Motor frame: Aluminium alloy casting
Shaft: SUS403 (EN-X6Cr13)

Discharge Connection

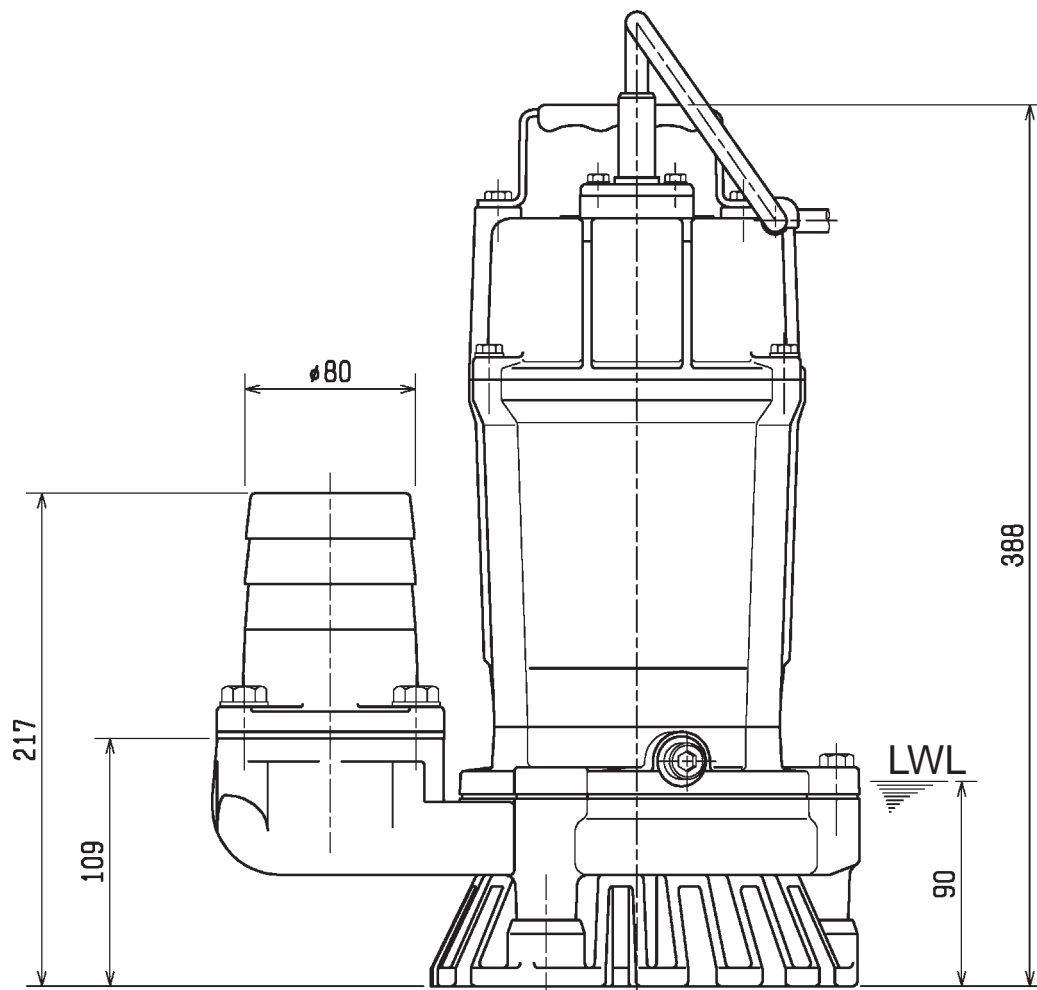
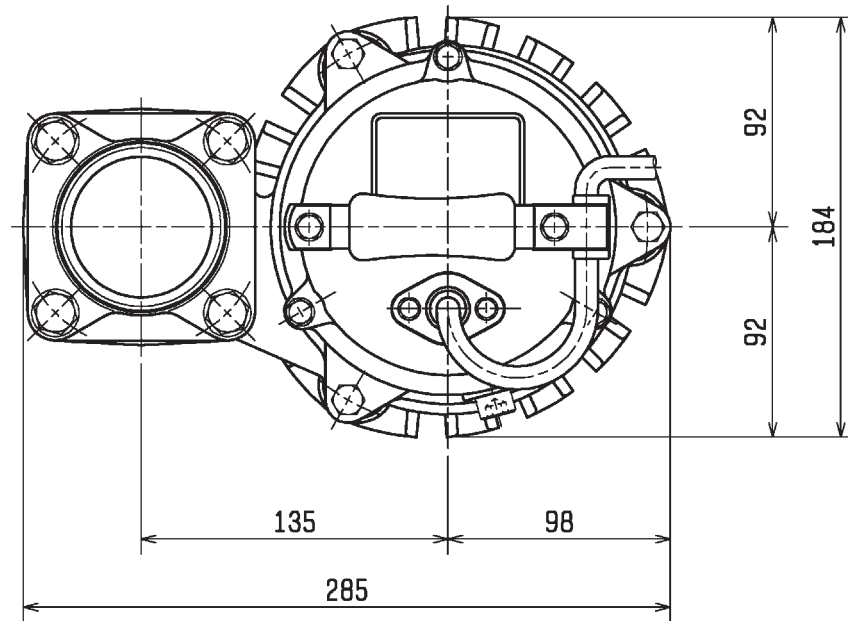
3" (80mm) BS-Coupling (threaded flange)

Weight

19,0 kg (dry weight of the pump without cable)

Dimensional Drawing HS3.75S-51

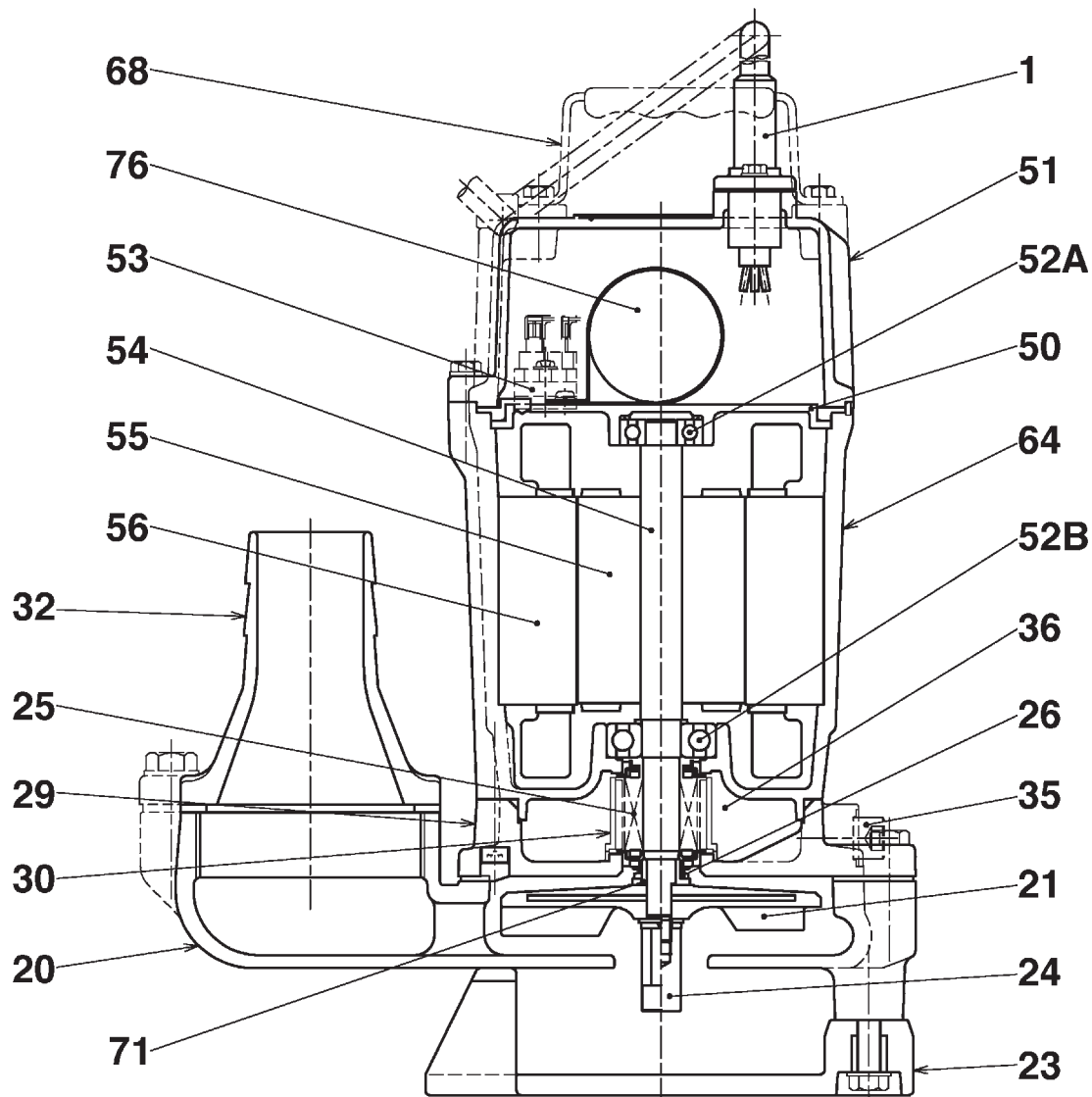
Dimensions in mm



LWL: Lowest Running Water Level

HS3.75S-51

Sectional Drawing HS3.75S-51



HS3.75S-51

| No. | Description | Qty. | Remarks | No. | Description | Qty. | Remarks |
|-----|-----------------|------|-------------------------------|-----|-----------------|------|----------------------------|
| 1 | Cabtyre Cable | 1 | H07RN3Cx1mm ² x10m | 50 | Motor Bracket | 1 | Aluminium die casting |
| 20 | Pump Casing | 1 | FCD700 (EN-GJS-700-2) | 51 | Head Cover | 1 | Aluminium die casting |
| 21 | Impeller | 1 | Urethane rubber | 52A | Upper Bearing | 1 | 6201ZZC3 |
| 23 | Strainer Stand | 1 | PVC | 52B | Lower Bearing | 1 | 6302ZZC3 |
| 24 | Stirrer | 1 | Sintered Alloy | 53 | Motor Protector | 1 | |
| 25 | Mechanical Seal | 1 | W-14VL | 54 | Shaft | 1 | SUS403 (EN-X6Cr13) |
| 26 | V-Seal | 1 | Nitril Butadiene Rubber | 55 | Rotor | 1 | |
| 29 | Oil Casing | 1 | FC200 (EJ-GJL-200) | 56 | Stator Complete | 1 | |
| 30 | Oil Lifter | 1 | Plastic | 64 | Motor Frame | 1 | Aluminium die casting |
| 32 | Hose Coupling | 1 | Aluminium die casting | 68 | Handle | 1 | Steel plate/natural rubber |
| 35 | Oil Plug | 1 | SUS304 (EN-X5CrNi18-10) | 71 | Shaft Sleeve | 1 | SUS304 (EN-X5CrNi18-10) |
| 36 | Lubricant | 1 | Turbine oil ISO VG 32 | 76 | Capacitor | 1 | |

Pump Performance Curve

HS3.75S-51

| | |
|------------------|-------------------------------|
| Discharge Bore | 80 mm |
| Total Head | max.15 m |
| Capacity | max. 0,30 m ³ /min |
| Motor Output | 0,75 kW |
| Motor Input | 1,05 kW |
| Phase | 1 |
| Voltage | 110/230 V |
| Frequency | 50 Hz |
| Rated Current | 10,0/4,6 A |
| Starting Current | 27,0/14,0 A |
| Poles | 2 |
| Revolution | S.S. 2812 r.p.m. |
| Starting Method | Capacitor |
| Insulation Class | E |

