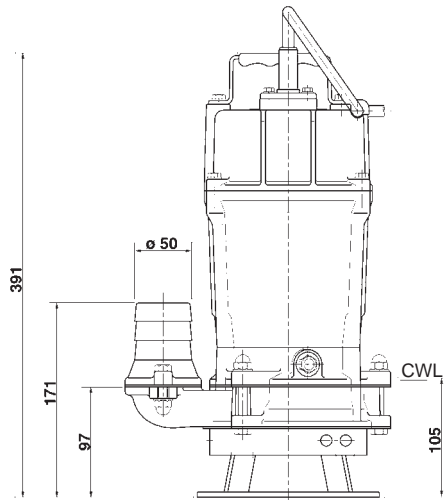
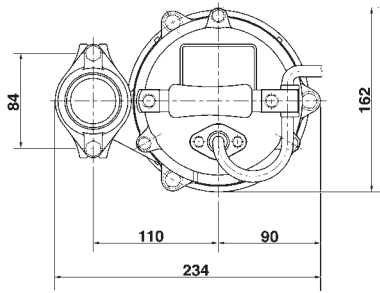
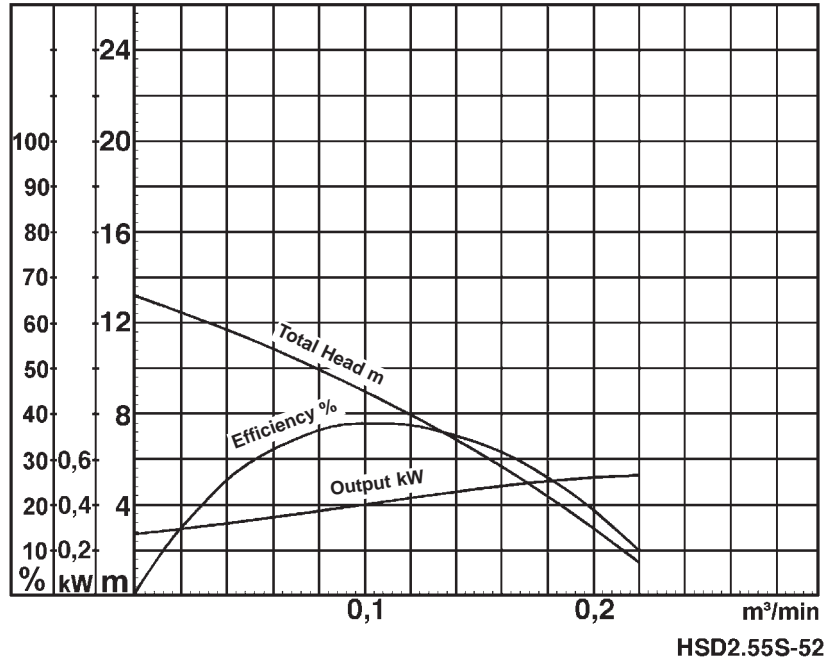


Data Sheet HSD2.55S-52



CWL = Continuous running water level
HSD2.55S-52
dimensions in mm



Classification

Electric submersible pump
Protection class IP68
Depth of submersion max. 20m
Semi-vortex impeller with Agitator
Max. solid handling 10mm
Suitable for sand carrying water,
sludge, bentonite

Electric Motor

Dry-type submersible induction motor
Insulation class E, 2 poles, 2830 r.p.m.
Capacitor start
Voltage: 110V/230V, 50Hz, 1-phase
Power input: 0,82kW
Power output: 0,550kW
Nominal current: 7,2 (110V) / 3,6 (230V)
Start current: 23,3 (110V) / 10,9 (230V)

Electric cable

10m H07RN-F 3Cx1,5mm² (110V)
10m H07RN-F 3Cx1mm² (230V)

Motor Protection

Circle thermal protector
(snap-action bi-metal device)

Shaft Seal

Double mechanical seal in oil bath
additional lubrication by oil lifting device
Primary Seal:
silicon carbide on silicon carbide
Secondary Seal:
carbon on ceramic

Bearings

Shielded ball bearings, maintenance-free

Materials

Impeller: Chromium iron casting
Casing: FCD700 (EN-GJS-700-2)
Motor frame: Aluminium die casting
Shaft: SUS403 (EN-X6Cr13)

Discharge Connection

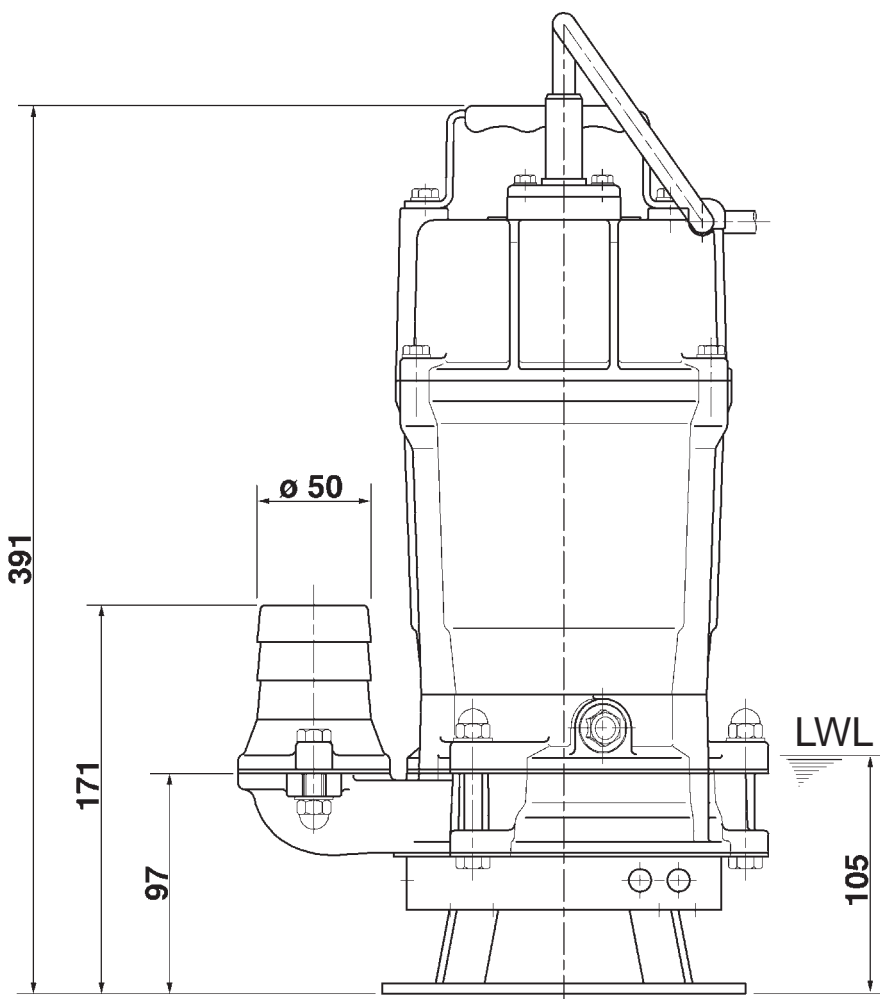
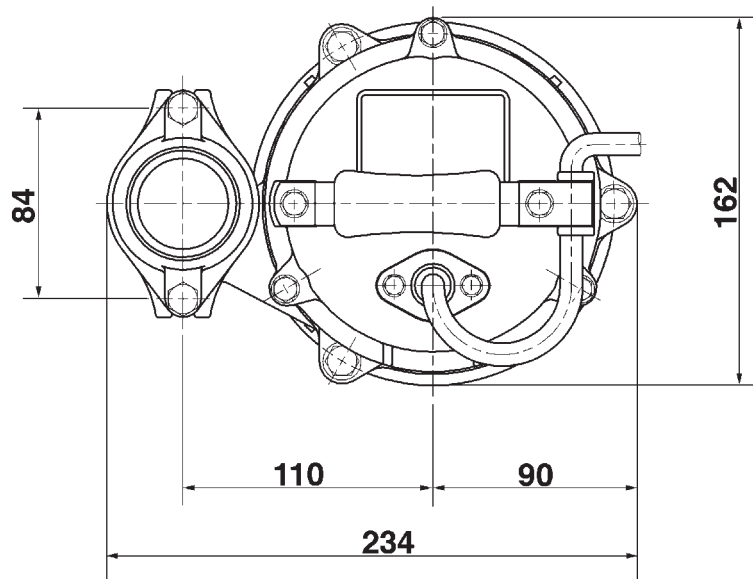
2" (50mm) BS-Coupling (threaded flange)

Weight

15,0 kg (dry weight of the pump without cable)

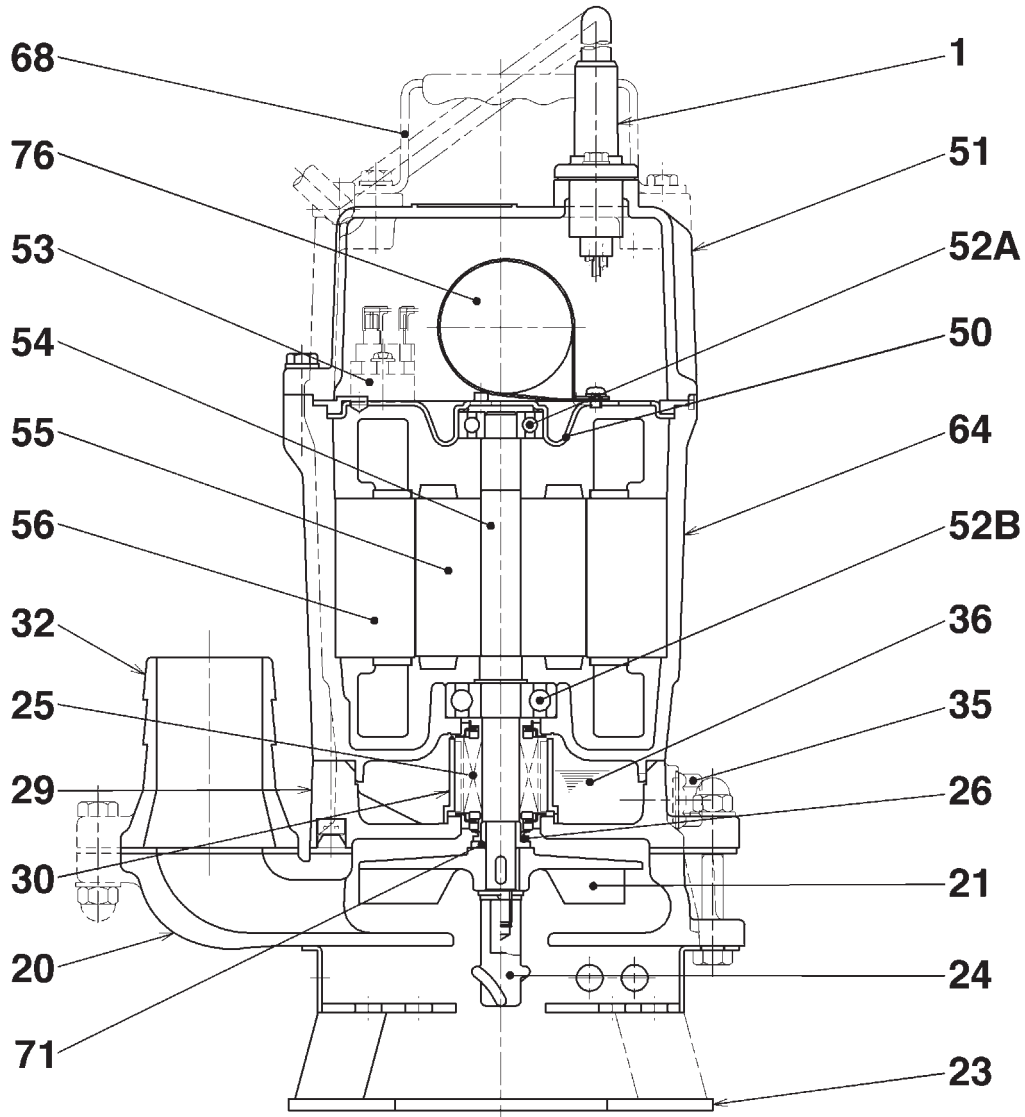
Dimensional Drawing HSD2.55S-52

Dimensions in mm



HSD2.55S-52

Sectional Drawing HSD2.55S-52

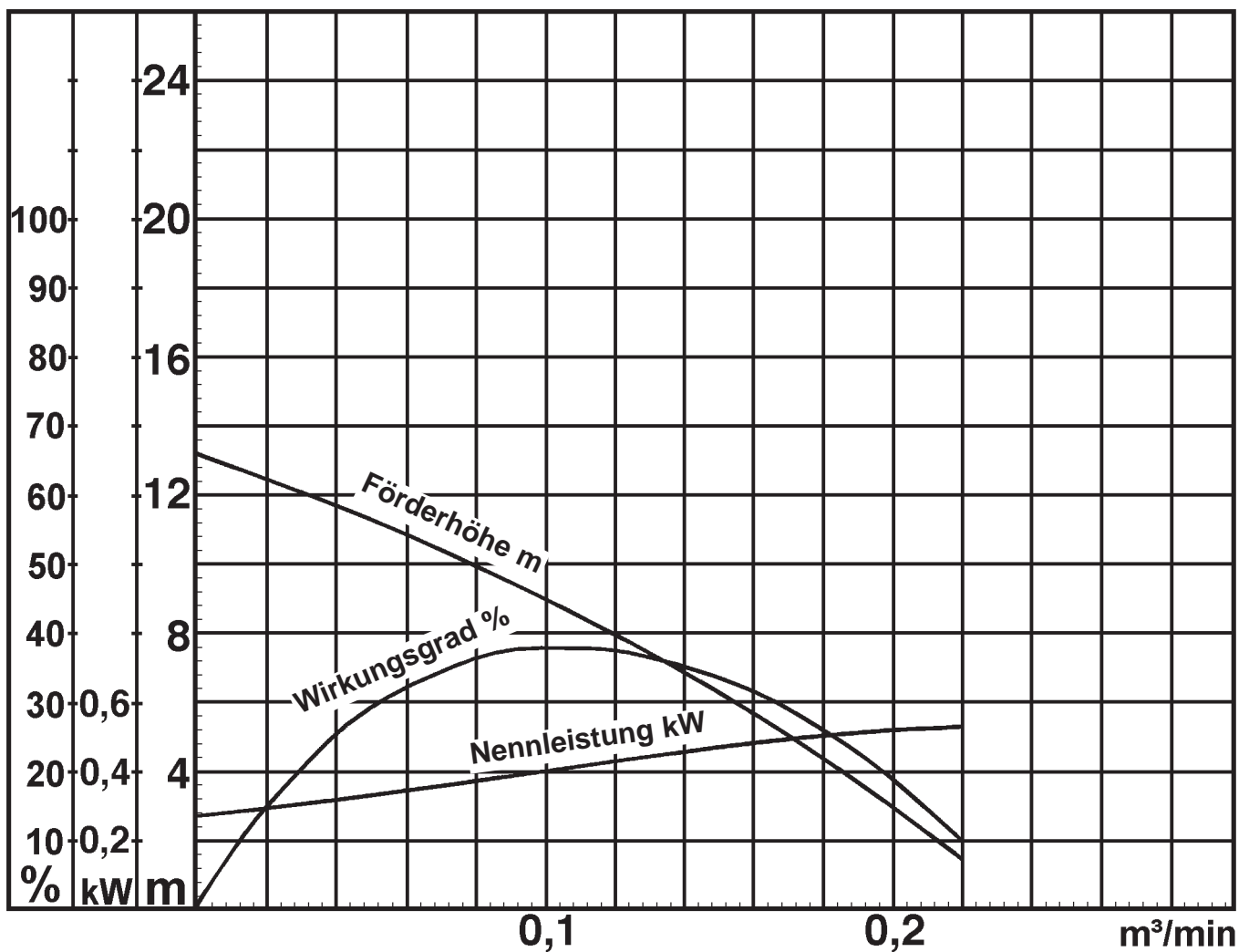


HSD2.55S-52

No.	Description	Qty.	Remarks	No.	Description	Qty.	Remarks
1	Cabtyre Cable	1	H07RN3Cx1mm ² x10m	50	Motor Bracket	1	Aluminium die casting ADC12
20	Pump Casing	1	FCD700 (EN-GJS-700-2)	51	Head Cover	1	Aluminium die casting ADC12
21	Impeller	1	Chromium iron casting HiCrFC	52A	Upper Bearing	1	6201ZZC3
23	Strainer Stand	1	SS400 (DIN 1.0040) + SPC	52B	Lower Bearing	1	6302ZZC3
24	Stirrer	1	Chromium iron casting HiCrFC	53	Motor Protector	1	
25	Mechanical Seal	1	W-14VL	54	Shaft	1	SUS403 (EN-X6Cr13)
26	V-Seal	1	Nitril Butadiene Rubber	55	Rotor	1	
29	Oil Casing	1	FC200 (EJ-GJL-200)	56	Stator Complete	1	
30	Oil Lifter	1	Plastic	64	Motor Frame	1	Aluminium die casting ADC12
32	Hose Coupling	1	Aluminium die casting	68	Handle	1	Steel plate/natural rubber
35	Oil Plug	1	SUS304 (EN-X5CrNi18-10)	71	Shaft Sleeve	1	SUS304 (EN-X5CrNi18-10)
36	Lubricant	1	Turbine oil ISO VG 32	76	Capacitor	1	

Leistungskurve HSD2.55S-52

Druckstutzen	2"
Förderhöhe	9,0 m
Fördermenge	0,1 m ³ /min
Nennleistung	0,55 kW
Leistungsaufn.	0,82 kW
Phasen	1
Spannung	230 V
Frequenz	50 Hz
Nennstrom	3,6 A
Anlaufstrom	10,9 A
Polzahl	2
Drehzahl	2830 U/min
Startmethode	Kondensator
Isolationsklasse	E



HSD2.55S-52