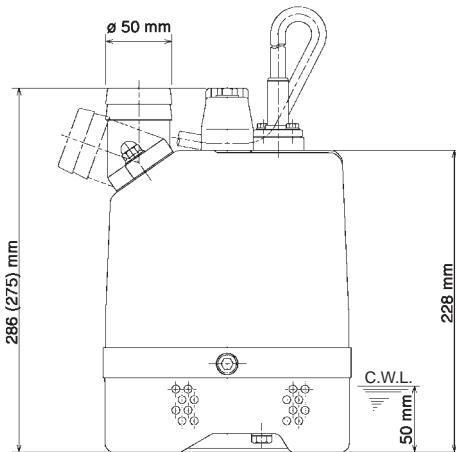
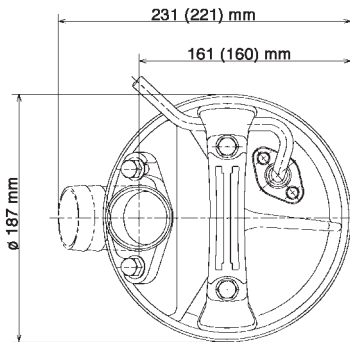


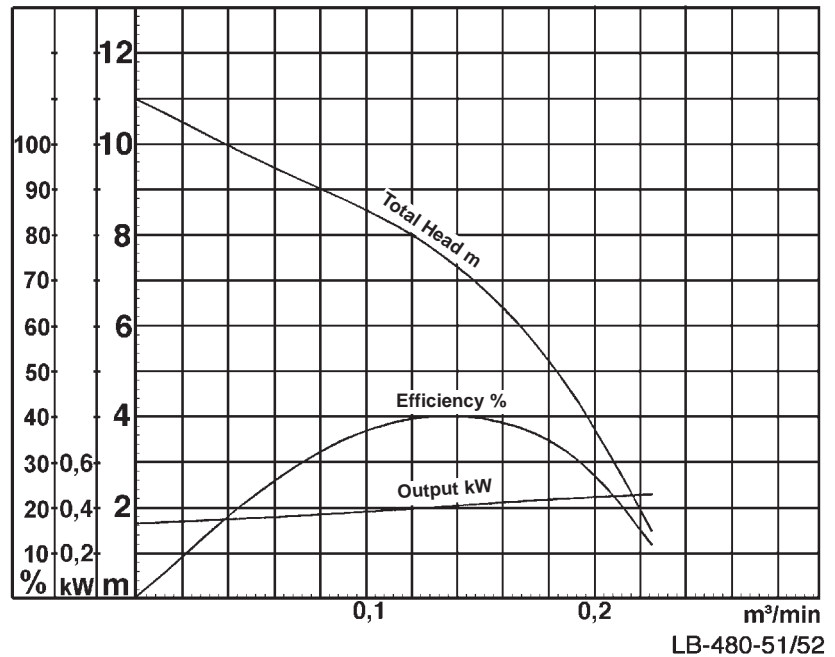
# Data Sheet LB-480-51/52



C.W.L. = Continuous running water level

LB-480-51/52

Dimensions of LB-480-51 in brackets



## Classification

Electric submersible pump  
 Protection class IP68  
 Depth of submersion max. 20m  
 Semi-vortex impeller  
 Max. solid handling 6mm  
 Suitable for rain water, font water, ground water, sand carrying water

## Electric Motor

Dry-type submersible induction motor  
 Insulation class E, 2 poles, 2610 r.p.m.  
 Capacitor start  
 Voltage: 110V/230V, 50Hz, 1-phase  
 Power input: 0,59kW  
 Power output: 0,48kW  
 Nominal current: 6,2A(110V) / 2,9A(230V)  
 Start current: 14,2A(110V) / 6,8A(230V)

## Electric cable

10m H07RN-F 3Cx1,5mm<sup>2</sup> (110V)  
 10m H07RN-F 3Cx1mm<sup>2</sup> (230V)

## Motor Protection

Miniatur protector in windings  
 (snap-action bi-metal device)

## Shaft Seal

Double mechanical seal in oil bath  
 Primary Seal:  
 silicon carbide on silicon carbide  
 Secondary Seal:  
 carbon on ceramic

## Bearings

Shielded ball bearings, maintenance-free

## Materials

Impeller:	Urethane rubber
Casing:	Ethylene propylene rubber
Suction Plate:	Ethylene propylene rubber
Motor frame:	Aluminium alloy casting
Shaft:	SUS403 (EN-X6Cr13)

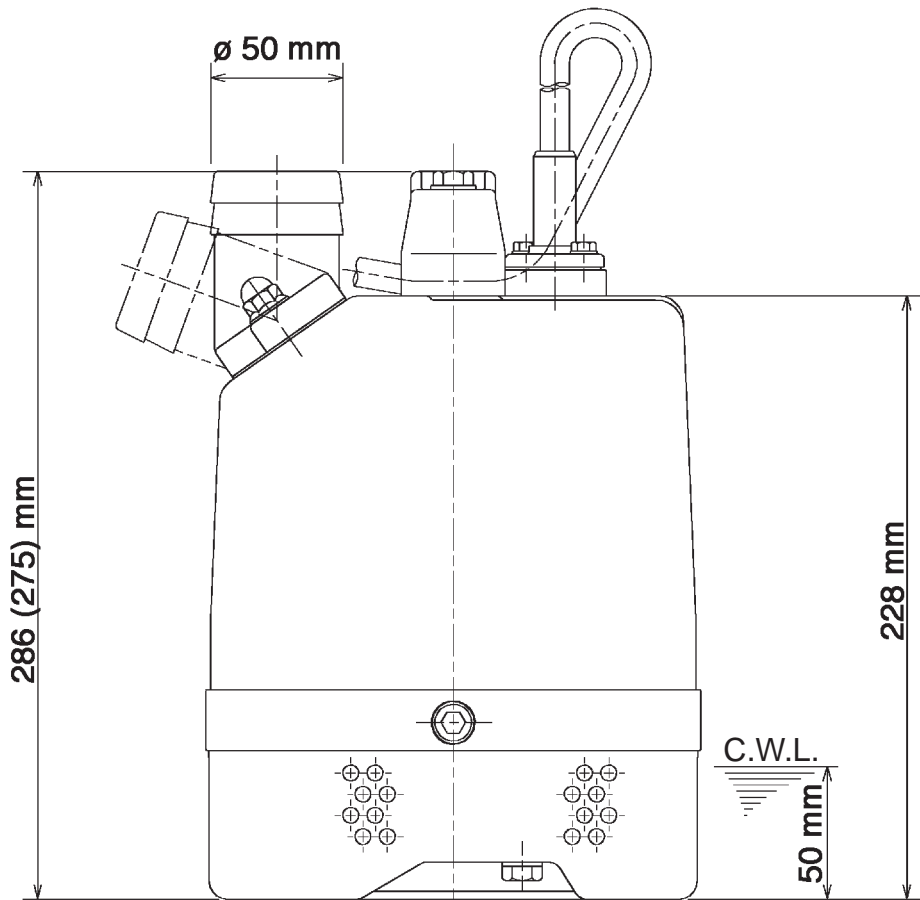
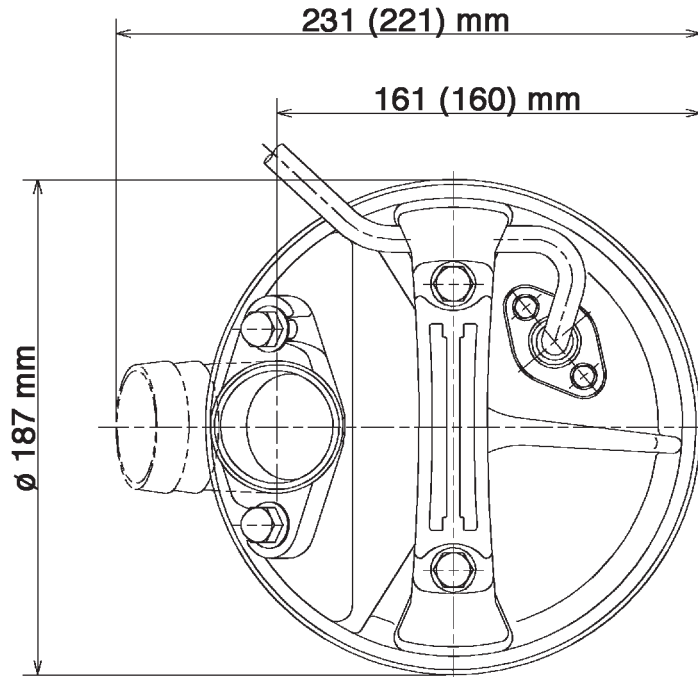
## Discharge Connection

2" (50mm) BS-Coupling (threaded flange)

## Weight

10,4 kg (dry weight of the pump without cable)

# Dimensional Drawing LB-480-51/52

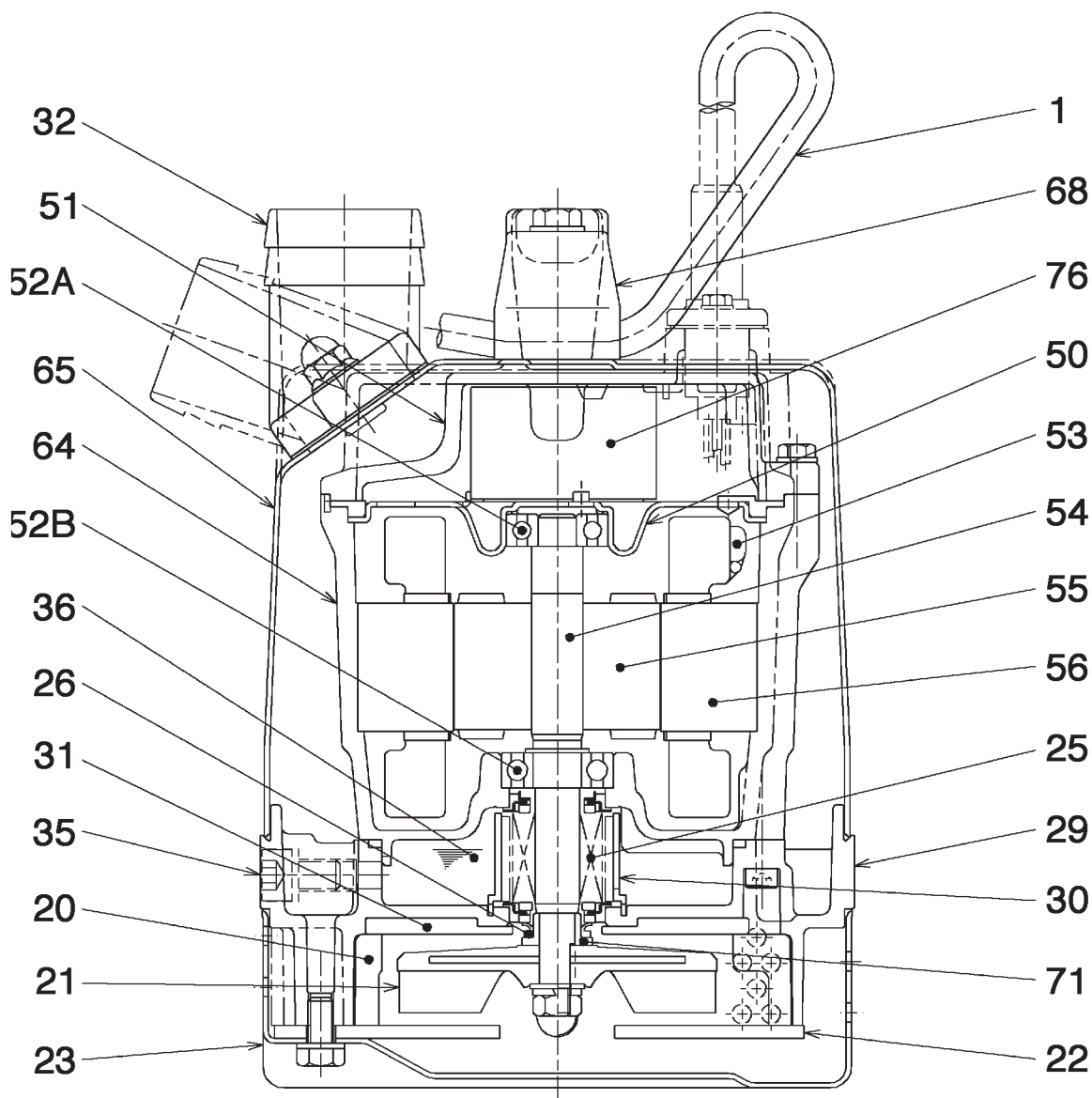


CWL: Continuous Running Water Level

**LB-480-51/52**

Dimensions of LB-480-51 in brackets

# Sectional Drawing LB-480-51/52



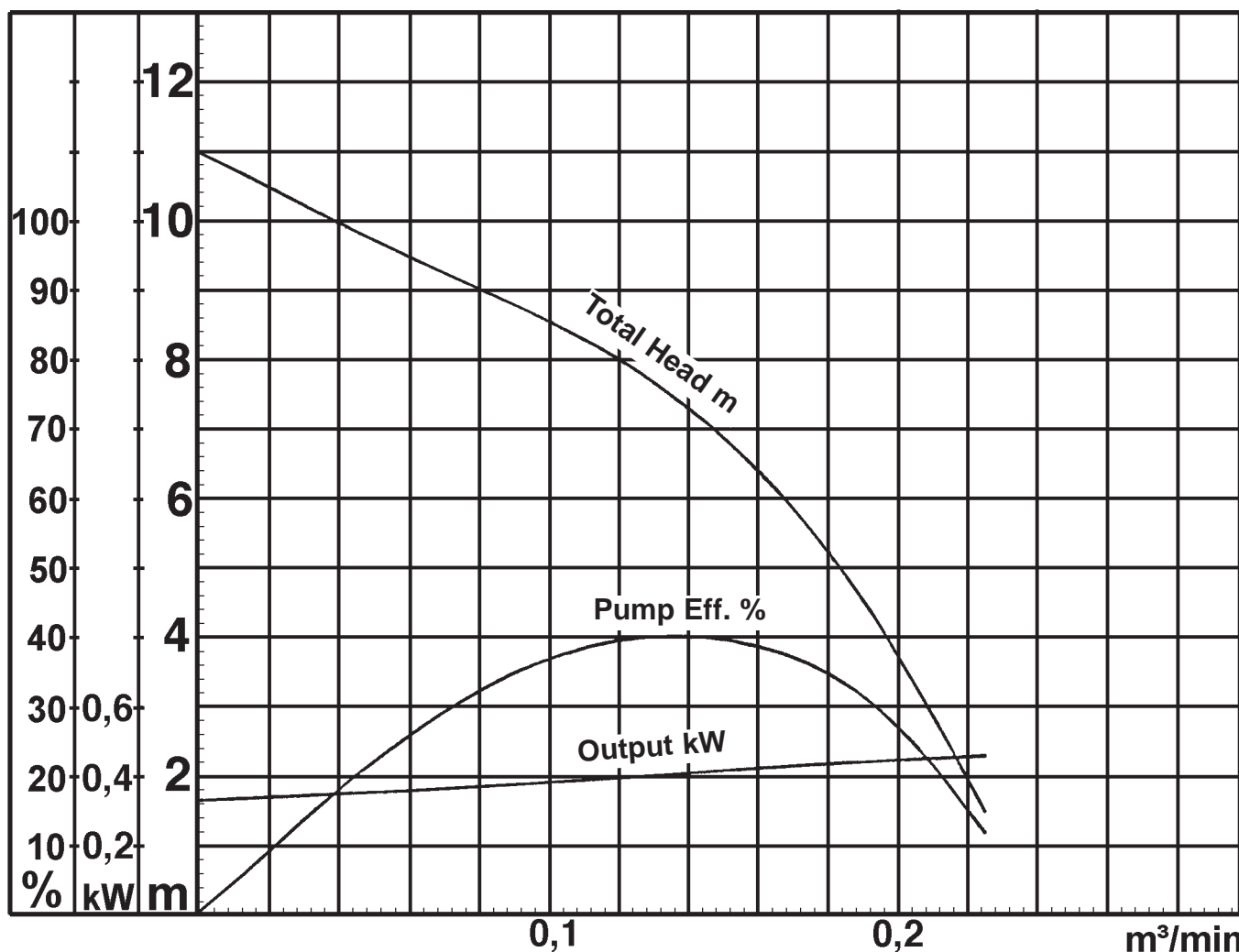
**LB-480-51/52**

No.	Description	Qty.	Remarks	No.	Description	Qty.	Remarks
1	Cable	1	H07RN-F	50	Motor Bracket	1	Steel Plate
20	Pump Casing	1	Ethylene Propylene Rubber	51	Motor Head cover	1	Aluminium Die Casting
21	Impeller	1	Urethane Rubber	52A	Upper Bearing	1	6201ZZC3
22	Suction Cover	1	Steel Plate	52B	Lower Bearing	1	6202ZZC3
23	Strainer Stand	1	Steel Plate	53	Motor Protector	1	
25	Mechanical Seal	1	W-14VL	54	Shaft	1	SUS403 (EN-X6Cr13)
26	V-Seal	1	Nitrile Butadien Rubber	55	Rotor	1	
29	Oil Casing	1	Aluminium Alloy Casting	56	Stator	1	
30	Oil Lifter	1	Plastic	64	Motor Frame	1	Aluminium Die Casting
31	Wearing Plate	1	Nylon	65	Outer Cover	1	Steel Plate
32	Hose Coupling	1	Aluminium Alloy Casting	68	Handle	1	Steel Plate & Rubber
35	Oil Plug	1	SUS304 (EN-X5CrNi18-10)	71	Shaft Sleeve	1	SUS304 (EN-X5CrNi18-10)
36	Lubricant	1	Turbine Oil (ISO VG32)	76	Capacitor	1	

# Pump Performance Curve

## LB-480-51/52

Discharge Bore	50 mm
Total Head	max. 11 m
Capacity	max. 0,22 m <sup>3</sup> /min
Motor Output	0,48 kW
Motor Input	0,59 kW
Phase	1
Voltage	110/230 V
Frequency	50 Hz
Rated Current	6,2/2,9 A
Starting Current	14,2/6,8 A
Poles	2
Revolution	S.S. 2610 r.p.m.
Starting Method	Capacitor
Insulation Class	E



LB-480-51/52