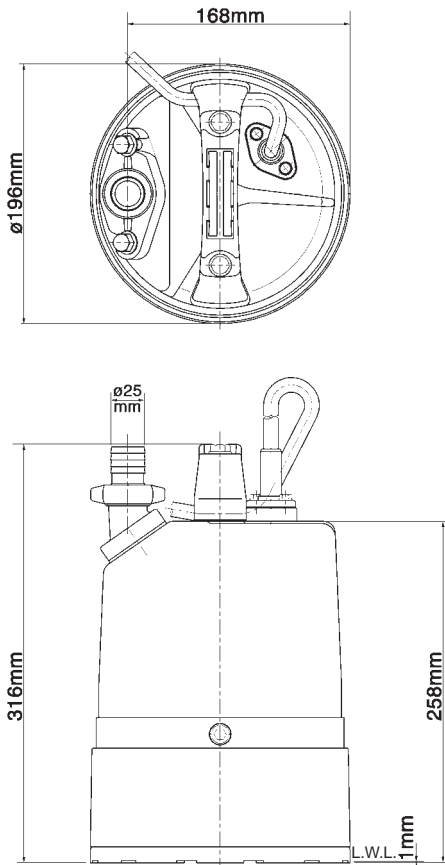
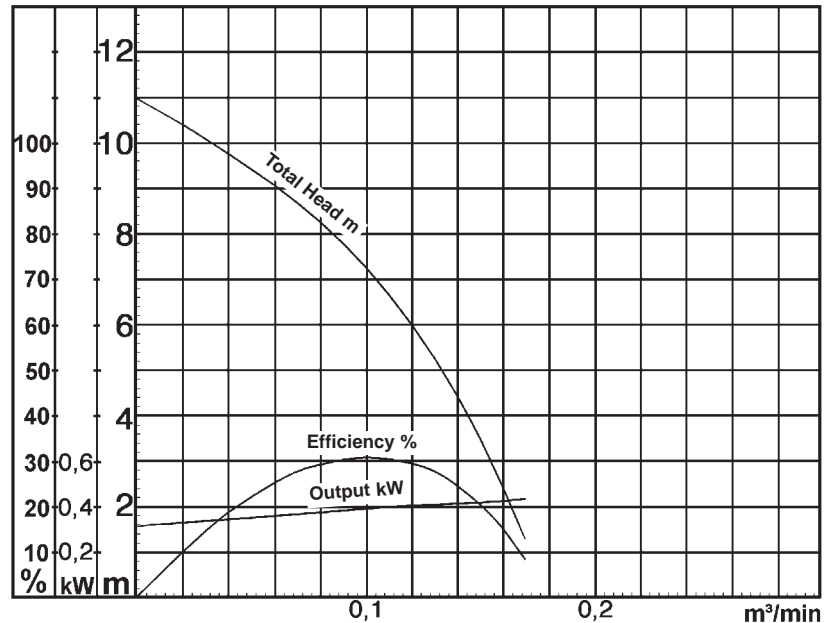


Data Sheet LSC1.4S-51/52



L.W.L. = Lowest running water level

LSC1.4S-51



Classification

Electric submersible pump
 Protection class IP68
 Depth of submersion max. 20m
 Semi-vortex impeller
 Max. solid handling 6mm
 Suitable for cleaning water, water on floor, puddles

Electric Motor

Dry-type submersible induction motor,
 Insulation class E, 2 poles, 2850 r.p.m.
 Capacitor start
 Voltage: 110V/230V, 50Hz, 1-phase
 Power input: 0,59kW
 Power output: 0,48kW
 Nominal current: 6,2A(110V) / 2,9A(230V)
 Start current: 14,2A(110V) / 6,8A(230V)

Electric cable

10m HO7RN-F 3Cx1,5mm² (110V)
 10m HO7RN-F 3Cx1mm² (230V)

Motor Protection

Circle thermal cut-out
 (snap-action bi-metal device)

Shaft Seal

Double mechanical seal in oil bath
 Primary Seal:
 silicon carbide on silicon carbide
 Secondary Seal:
 carbon on ceramic

Bearings

Shielded ball bearings, maintenance-free

Materials

Impeller:	Urethane Rubber
Casing:	Ethylene Propylene Rubber
Suction Cover:	Steel plate+Urethane Rubber
Motor frame:	Aluminium die casting
Outer cover:	Steel sheet
Shaft:	SUS403 (EN-X6Cr13)

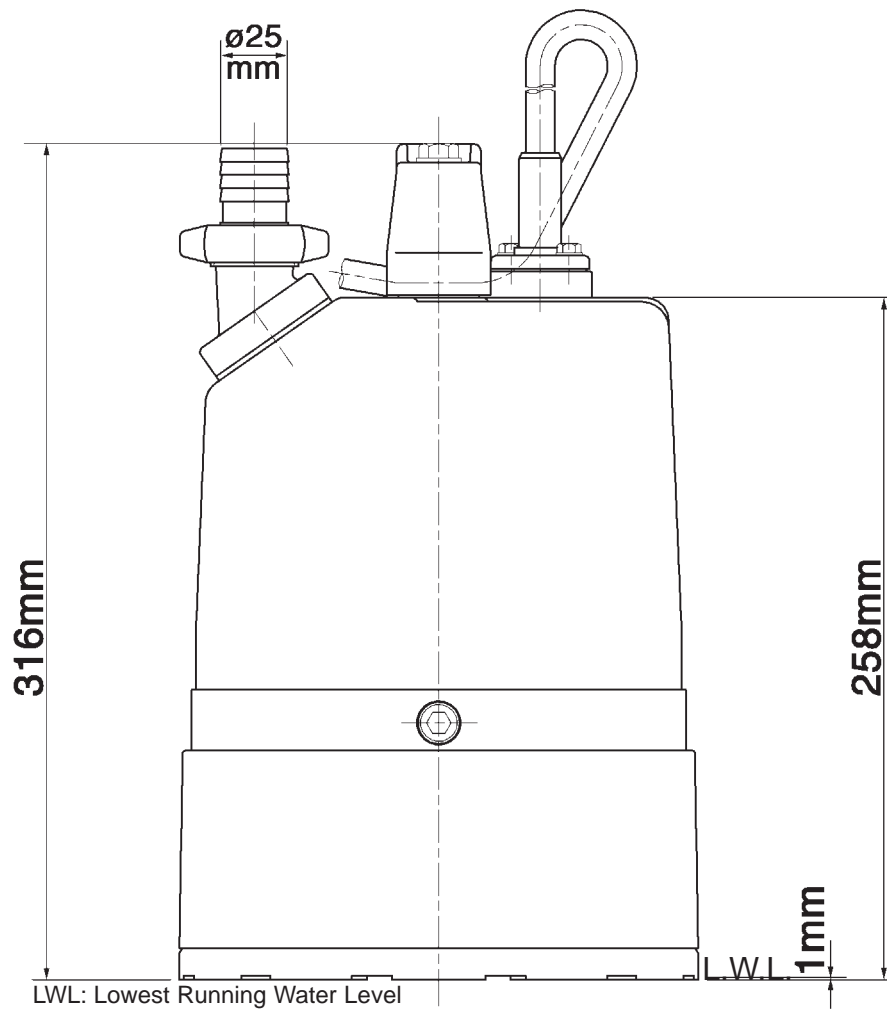
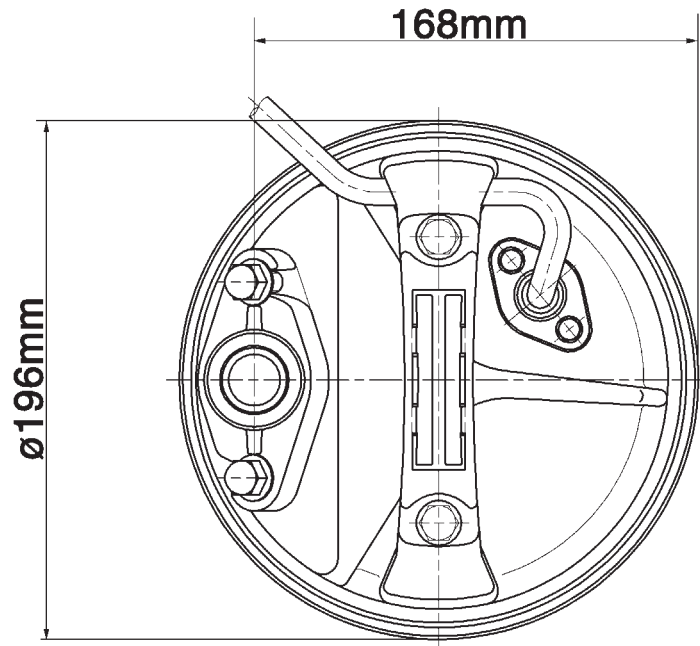
Discharge Connection

1" (25mm) hose coupling

Weight

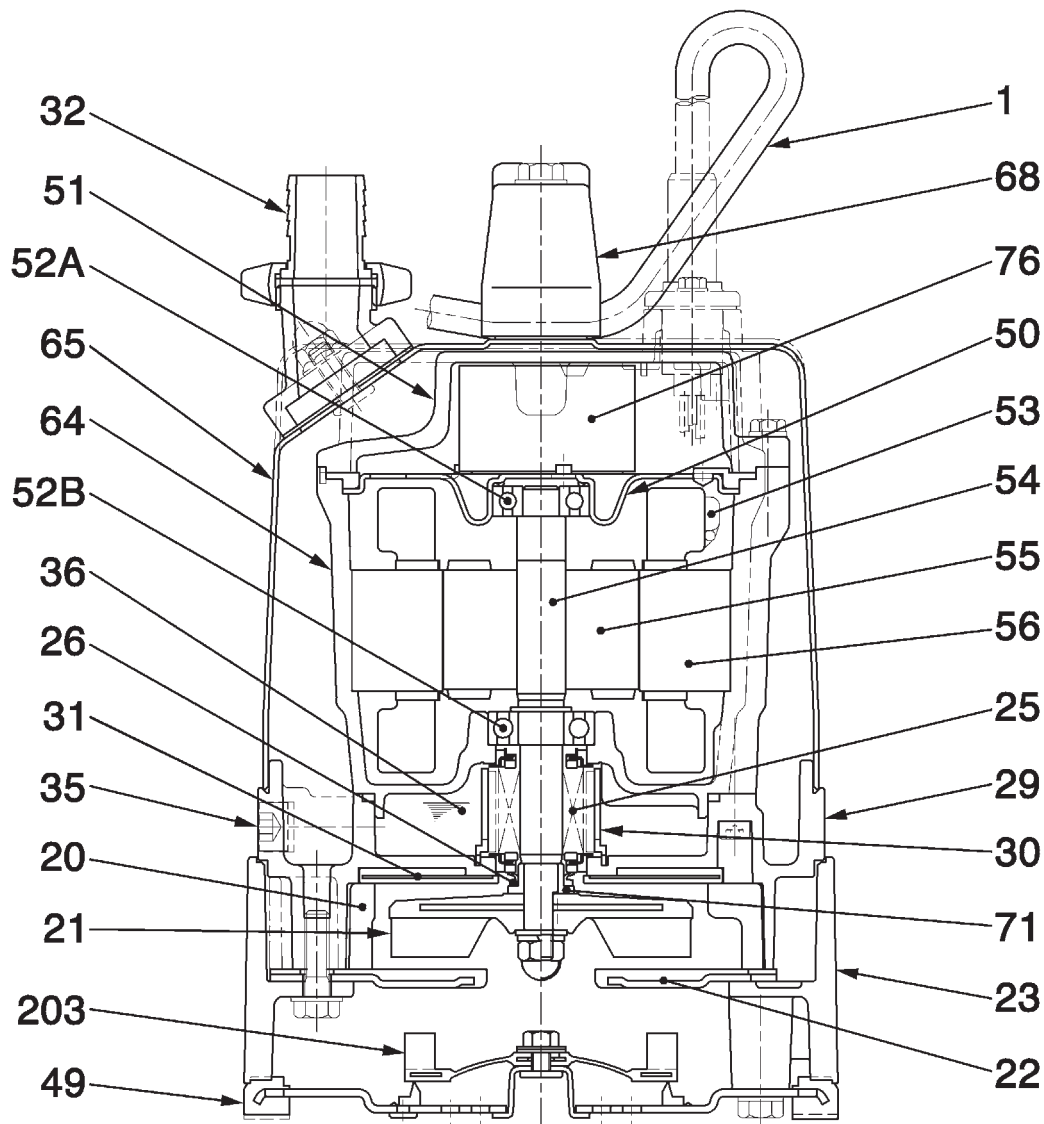
12 kg (dry weight of the pump without cable)

Dimensional Drawing LSC1.4S-51/52



LSC1.4S-51

Sectional Drawing LSC1.4S-51/52



LSC1.4S-51

No.	Description	Qty.	Remarks	No.	Description	Qty.	Remarks
1	Cabtyre Cable	1	H07RN-F	50	Motor Bracket	1	Steel Sheet
20	Pump Casing	1	Ethylene Propylene Rubber	51	Motor Head Cover	1	Aluminium Die Casting
21	Impeller	1	Urethane Rubber	52A	Upper Bearing	1	6201ZZC3
22	Suction Cover	1	Steel Plate+Urethane Rubber	52B	Lower Bearing	1	6202ZZC3
23	Stand	1	Aluminium Die Casting	53	Motor Protector	1	
25	Mechanical Seal	1	Silicon Carbide, W-14VC	54	Shaft	1	SUS403 (EN-X6Cr13)
26	V-Ring	1	Nitril Butadiene Rubber	55	Rotor	1	
29	Oil Casing	1	Aluminium Die Casting	56	Stator Complete	1	
30	Oil Lifter	1	Plastic	64	Motor Frame	1	Aluminium Die Casting
31	Wearing Plate	1	Urethane Rubber	65	Outer Cover	1	Steel Sheet
32	Hose Coupling	1	Aluminium Die Casting	68	Handle	1	Plastic
35	Oil Plug	1	SUS304 (EN-X5CrNi18-10)	71	Shaft Sleeve	1	SUS304 (EN-X5CrNi18-10)
36	Lubricant		Turbine Oil (ISO VG32)	76	Capacitor	1	
49	Bottom Plate	1	Steel Sheet+Nitrile Butadiene Rubber	203	Check Valve	1	Styrene Butadiene Rubber

Pump Performance Curve

LSC1.4S-51/52

Discharge Bore	25 mm
Total Head	max. 11 m
Capacity	max. 0,16 m ³ /min
Motor Output	0,48 kW
Motor Input	0,59 kW
Phase	1
Voltage	110/230 V
Frequency	50 Hz
Rated Current	6,2/2,9 A
Starting Current	14,2/6,83 A
Poles	2
Revolution	S.S. 2850 r.p.m.
Starting Method	Capacitor
Insulation Class	E

