

**Receiver**

**From**

Company  
Reference  
Address  
Phone  
Fax  
E-mail

**Item n° :**                      **Customer pos. no.:**

60170272

**Model :**

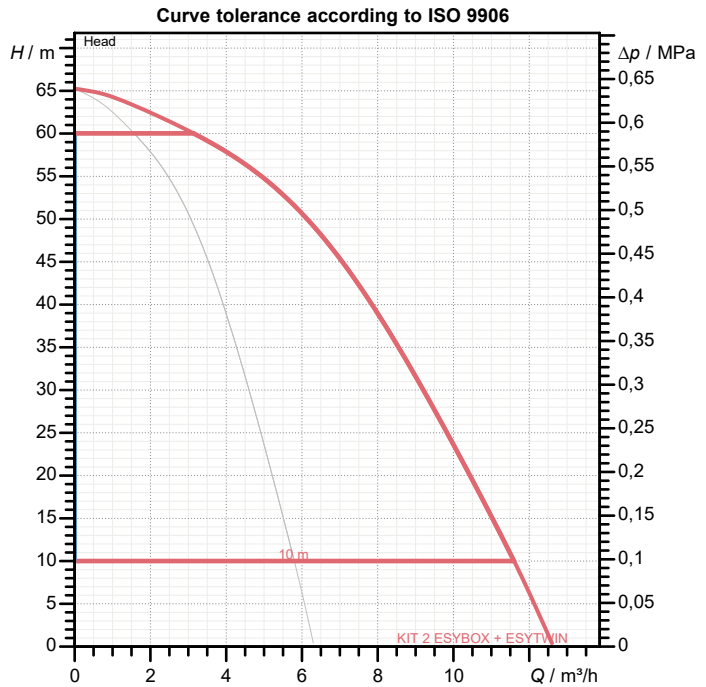
KIT 2 ESYBOX + ESYTWIN

**Pump data**

Pressure rating :                      0,8 MPa  
SETTABLE CONSTANT PRESSURE FROM 0,1 TO 0,6 MPa  
Min. fluid temperature :                      0 °C  
Max. fluid temperature :                      40 °C  
Max. Ambient temperature :                      50 °C

**Requested data**

Flow :  
Head :  
Fluid :                      Water  
Fluid Temperature :                      20 °C  
Density :                      998,3 kg/m<sup>3</sup>  
Kinematic viscosity :                      1,005 mm<sup>2</sup>/s  
Vapor pressure :                      0,00234 MPa

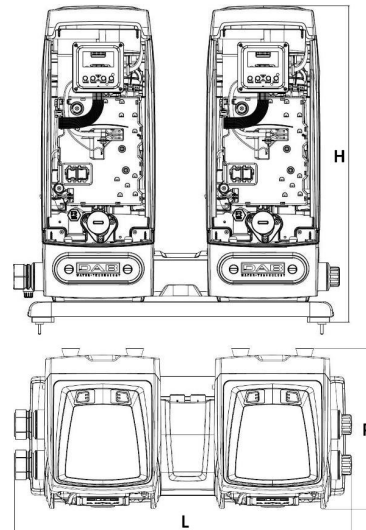


**Materials**

Motor flange                      Technopolymer  
Rotor shaft                      Stainless Steel AISI 303  
Motor liner                      Stainless Steel AISI 304  
O-Ring                      NBR  
Mechanical seal                      Impregnated carbon-resin/Silicon carbide/EPDM  
Plugs                      Technopolymer  
Suction case                      Technopolymer  
Insert                      Brass nickel coated  
Shutter                      Technopolymer  
Spring                      AISI 303  
Diffuser                      Technopolymer  
Diffuser body                      Technopolymer  
Impeller                      Technopolymer  
Wear ring                      Stainless Steel AISI 316  
Nut                      Stainless Steel AISI 316  
Diffuser plug                      Technopolymer  
Sintered plate                      Stainless Steel AISI 304  
Pump body                      Technopolymer  
Discharge section                      Technopolymer  
Flow switch body                      Technopolymer  
Discharge manifold                      Technopolymer  
Non-return valve                      Technopolymer/Rubber/Steel  
Tank                      Technopolymer/Rubber  
Pressure sensor body                      Technopolymer

**Hydraulic data (duty point)**

Flow :  
Head :



**Dimensions in mm**

H	730				
L	752				
P	358				

**Weight :**                      0 kg

**Pump connection**

Suction side :                      1 " 1/4 G / 0,8 MPa  
Discharge side :                      1 " 1/4 G / 0,8 MPa

**Motor data**

Power input P1 :                      2 x 1,55 kW  
Rated speed :                      3.000 1/min  
Rated voltage :                      1~ 220-240 V                      50 Hz  
Nominal current :                      2 x 10 A  
Degree of protection :                      IP X4



WATER • TECHNOLOGY

# PERFORMANCE CURVES

2023-06-23

Page 2 / 3

DAB PUMPS S.p.A.  
Via Marco Polo, 14 - 35035 Mestrino (PD), Italy  
Tel. +39 049 5125000 - Fax +39 049 5125950  
www.dabpumps.com

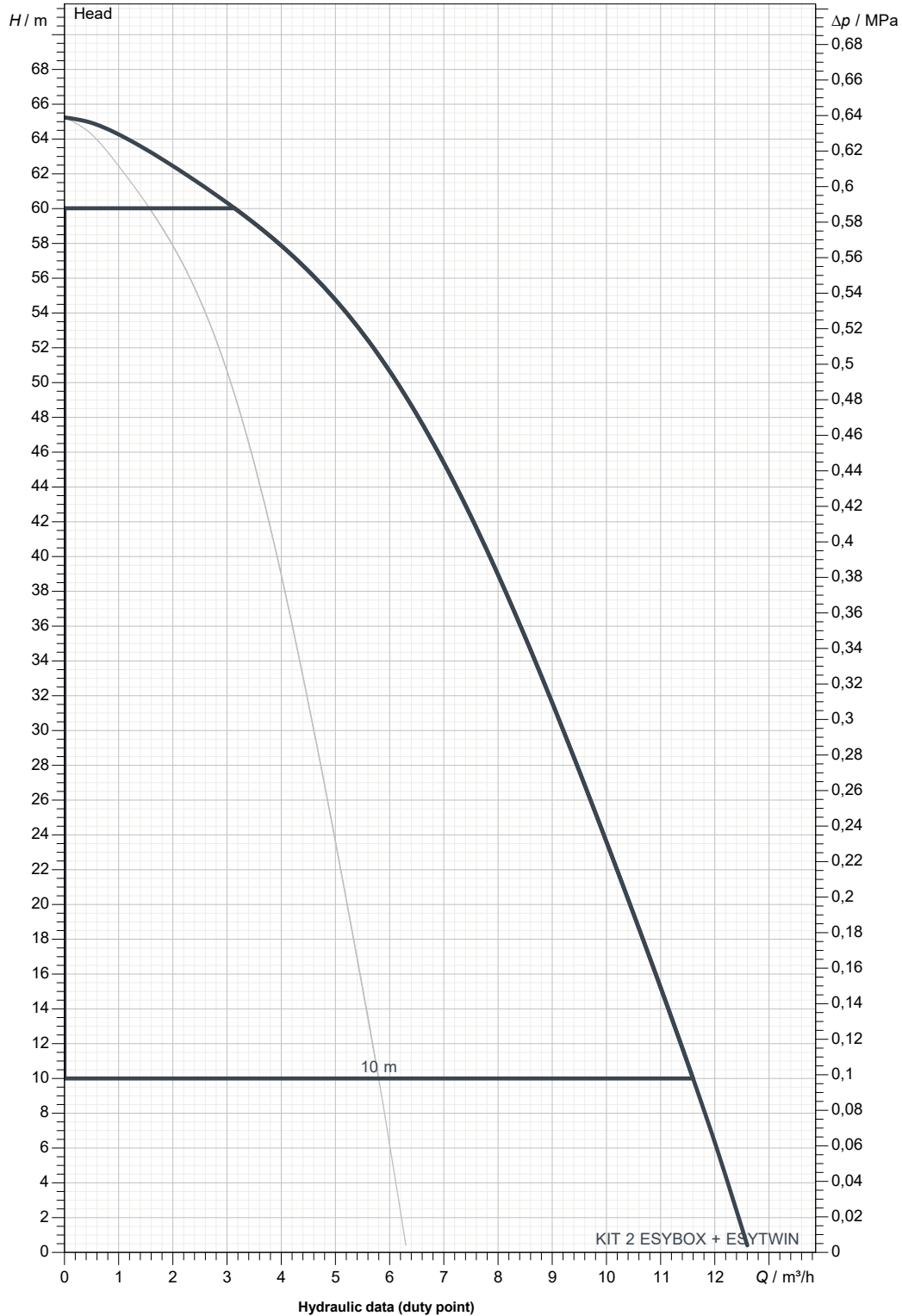
Receiver

From

Company  
Reference  
Address  
Phone  
Fax  
E-mail

## KIT 2 ESYBOX + ESYTWIN

Curve tolerance according to ISO 9906



Suction side :  
1" 1/4 G  
0,8 MPa

Discharge side :  
1" 1/4 G  
0,8 MPa

Flow :

Head :

Rated speed :  
3.000 1/min

MAIN\_PROJECT\_TITLE

BUSINESS\_PROCESS\_ID

OWNER\_

ISSUE\_DATE  
2023-06-23



# DIMENSIONAL DRAWING

2023-06-23

Page 3 / 3

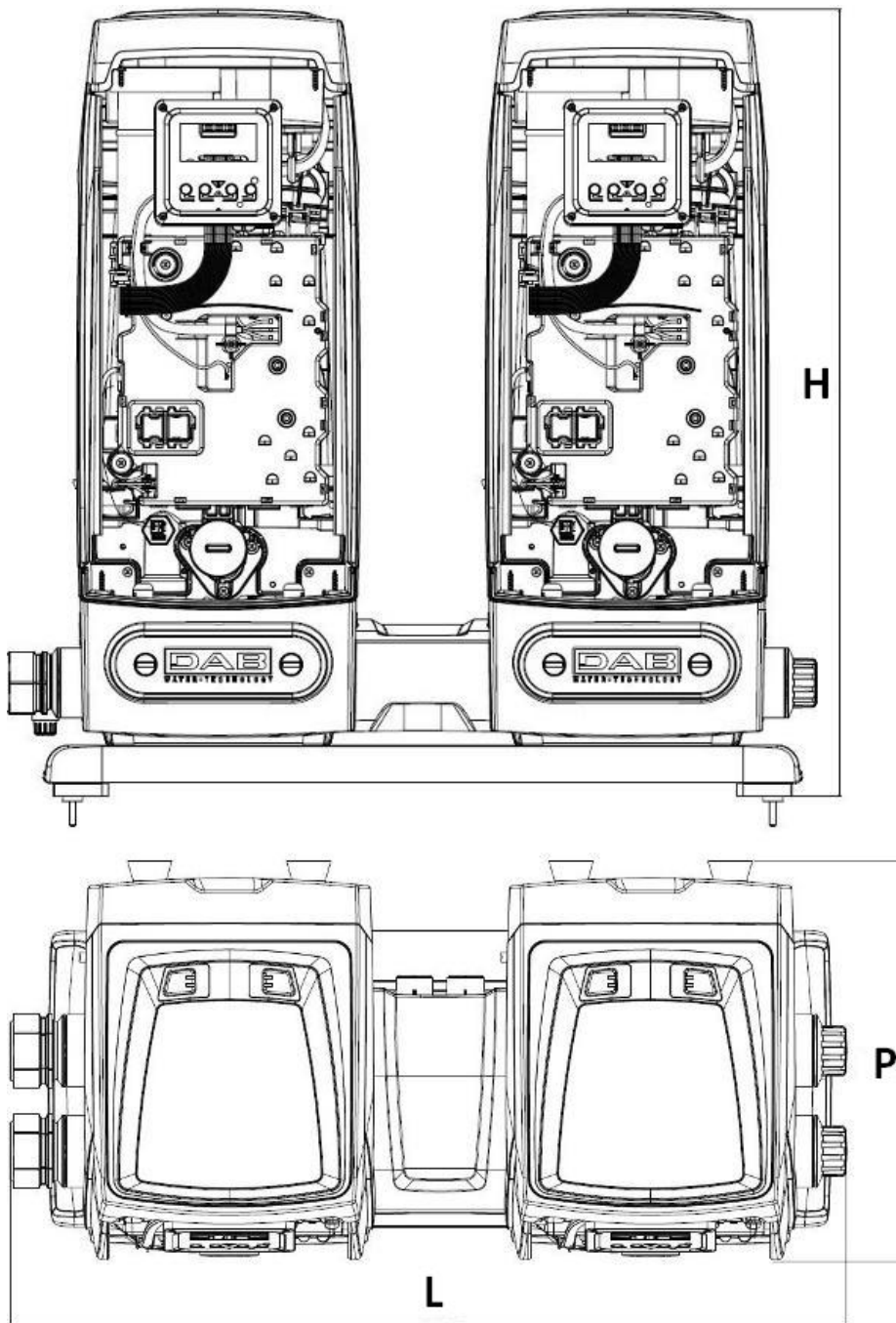
DAB PUMPS S.p.A.  
Via Marco Polo, 14 - 35035 Mestrino (PD), Italy  
Tel. +39 049 5125000 - Fax +39 049 5125950  
www.dabpumps.com

Receiver

From

Company  
Reference  
Address  
Phone  
Fax  
E-mail

## KIT 2 ESYBOX + ESYTWIN



Dimensions in mm				Pump connection	
1	H	730			
2	L	752			Suction
3	P	358			1" 1/4 G
4					0,8 MPa
5					Discharge
6					1" 1/4 G
7					0,8 MPa
8					
9					
10					
11					
12					

MAIN_PROJECT_TITLE	BUSINESS_PROCESS_ID	OWNER	ISSUE_DATE <b>2023-06-23</b>
--------------------	---------------------	-------	---------------------------------