

### Type ZLND 32125 . . . 300500

#### TECHNICAL DATA

Flow:	max. 1800 m <sup>3</sup> /h
Head:	max. 140 m
Speed:	max. 3600 rpm
Material:	cast iron (0B, 0C, 0E), spheroidal cast iron (1B) and stainless steel (4B)
Temperature:	max. 170 °C depending on the shaft sealing and material execution. (Hot water <sup>1)</sup> up to 140°C)
Casing Pressure:	material design 4B PN 16 0B, 0C, 0E, 1B PN 16 / 10 <sup>1)</sup> / 14 <sup>2)</sup>
Shaft sealing:	mechanical seal or stuffing box
Flange connections:	material design 4B DIN 2501 PN 16 0B, 0C, 0E, 1B DIN 2501 PN 16
Direction of rotation:	clockwise when looking at the pump from the drive end.



#### APPLICATION

Volute casing pumps of the ZLN range (meeting DIN 24255 / EN 733 and ISO 9908) are used when clear or turbid liquids free from solid particles are to be pumped. Application areas for pumps in this range include:

- Automobile, mechanical and general engineering industries
- Food and beverage industry
- Pharmaceutical industry
- Paint industry
- Plastic and rubber industry
- Iron and non-ferrous metal industry
- Paper and pulp industry
- Textile industry
- Building and construction industry
- Heating and air conditioning
- Drainage
- Water supply
- Irrigation

A range of materials is available to meet the specific needs of customers. For applications not covered by this pump range we offer the ISOchem range.

#### DESIGN

Horizontal, single-stage volute casing pumps with connections and main dimensions to DIN 24255 / EN 733, plus 19 additional sizes. The design of the pump allows the complete drive unit to be withdrawn from the casing without disturbing the attached pipe work. If a spacer type coupling is used, it is also unnecessary to disconnect the motor.

The range covers 50 sizes with only 5 different bearing brackets.

#### CONSTRUCTION

##### Casing pressure:

Material 4B:	max 16 bar from - 40 °C to +120 °C max 14 bar from 120°C up to +170 °C
Material 0B, 0C, 0E, 1B:	max 16/10 <sup>1)</sup> /14 <sup>2)</sup> bar from - 20 °C to +120 °C max 14/9 <sup>3)</sup> /8 <sup>2)</sup> bar from 120 °C up to +170 °C

Max. casing pressure= inlet pressure + delivery head at zero flow

**Please note:** The relevant technical regulations and safety rules must be observed.

##### Flanges location:

Axial suction flange, discharge flange radially upwards.

##### Flanges:

Material design 4B: Complies with DIN 2543 PN 16  
Material design 0B, 0C, 0E, 1B: DIN 2533 PN 16  
Flanges drilled according to ANSI 150 can be supplied.

133.65901.57.01 E

##### Bearings:

Bearing brackets 25, 35 and 45: Two ball bearings, lifetime greased (Z2), design code B, or oil lubrication, design code C.  
Bearing brackets 55 and 65: One double row angular contact bearing on pump side, plus one ball bearing on drive side, grease lubricated S or oil lubricated T.

##### Shaft sealing (Stuffing box and single mechanical seal)

Code 041:	Self-sealed, uncooled packing rings
Code 052:	Uncooled packing rings, external sealing liquid
Code B27:	Unbalanced bellows mechanical seal, seal face materials WC/Carbon, elastomer EPDM
Code AF3:	Balanced mechanical seal, seal face materials SiC/Carbon, elastomer EPDM
Code BJ3:	Unbalanced bellows mechanical seal, seal face materials SiC/Carbon, elastomer EPDM
Code C23:	Unbalanced bellows mechanical seal, seal face materials SiC/Carbon, elastomer EPDM
Code AFS:	Balanced mechanical seal, seal face materials SiC/ SiC, elastomer FPM (Viton)
Code BJS:	Unbalanced bellows mechanical seal, seal face materials SiC/ SiC, elastomer FPM (Viton)
Code C2S:	Unbalanced bellows mechanical seal, seal face materials SiC/ SiC, elastomer FPM (Viton)
Code AFK:	Balanced mechanical seal, seal face materials SiC/carbon, elastomer FPM (Viton) double PTFE (Teflon) wrapped
Code AFJ:	Balanced mechanical seal, seal face materials SiC/carbon, elastomer FPM (Viton)
Code BJJ:	Unbalanced bellows mechanical seal, seal face materials SiC/Carbon, elastomer FPM (Viton)
Code C2J:	Unbalanced bellows mechanical seal, seal face materials SiC/Carbon, elastomer FPM (Viton)

Codes AX3, AXS, AXK: are equivalent to AF3, AFS, AFK plus quench

Codes AY3, AYS, AYK: are equivalent to AF3, AFS, AFK plus heating

Codes A93, A9S, A9K, A9J: are equivalent to AF3, AFS, AFK, AFJ plus external flushing

As an option, Code 051 (as 052, but with inlet and outlet) and other sealing execution can be supplied on request.

<sup>1)</sup> Water quality according to VdTÜV 1466; additional requirement: O<sub>2</sub> (oxygen) < 0,02 mg/l.

<sup>1)</sup> From 200315 to 300-500

<sup>2)</sup> 150-500

<sup>4)</sup> From 80-400 to 300-500 except 150-500

**Shaft sealing (double mechanical seal):**

Code M1S: Double mechanical seal in tandem arrangement, seal face materials SiC / SiC, elastomer FPM (Viton). Type GNZ.

Code N1S: Double mechanical seal in tandem arrangement, seal face materials SiC / SiC, elastomer FPM (Viton). Type M7N.

Code NFS: Double mechanical seal in back to back arrangement, seal face materials SiC / SiC, elastomer FPM (Viton). Type M7N.

**Material design:**

Item	Component	Material					Construction					
		Mat. N°	DIN denomination	ISO EN denomination	US Material		0B	0C	0E	1B	4B	
					ASTM Standard	AISI						
10.20	Volute casing	EN-JL 1040 1.4408 EN-JL1025	GG-25 GX6CrNiMo18 10 GGG-40.3	EN-GJL 250 GX5CrNiMo19-11-2 EN-GJS-400-18-LT	A 278 Cl. 30 A 351 CF8M A 395	316	x	x	x		x	
16.10	Casing cover	EN-JL 1040 1.4408 EN-JL1025	GG-25 GX6CrNiMo18 10 GGG-40.3	EN-GJL 250 GX5CrNiMo19-11-2 EN-GJS-400-18-LT	A 278 Cl. 30 A 351 CF8M A 395	316	x	x	x		x	
21.00	Shaft	1.0503 1.4021 1.4401	C 45 X 20 Cr13 X5CrNiMo17 12 2	C 45 X 20 Cr13 X5CrNiMo17 12 2	A 576 Gr1045 A 276 Type 420 A 167 Gr316	1045 420 316	x(*) x x(**)	x(*) x x	x(*) x x(**)		x x x	
23.00	Impeller	EN-JL 1040 2.1050 1.4408	GG-25 G-CuSn10 GX6CrNiMo18 10	EN-GJL 250 GX5CrNiMo19-11-2	A 278 Cl. 30 B 427 C91600 A 351 CF8M	316	x	x		x	x	
33.00	Bearing bracket	EN-JL 1040	GG-25	EN-GJL 250	A 278 Cl. 30		x	x	x	x	x	
52.30	Shaft sleeve / Mechanical seal	1.4021	X 20 Cr13	X 20 Cr13	A 276 Type 420	420	x	x	x			
52.40	Shaft sleeve / Stuffing box	1.4021 1.4401	X 20 Cr13 X5CrNiMo17 12 2	X 20 Cr13 X5CrNiMo17 12 2	A 276 Type 420 A 167 Gr316	420 316	x	x	x		x	
46.10	Shaft seal / Stuffing box	Soft packing						x	x	x		
43.30	Mechanical seal	Silicon Carbide / Carbon EPDM or Viton ( See other options )						x	x	x	x	x
43.31	Mechanical seal	Silicon Carbide / Carbon EPDM or Viton ( See other options )						x		x		x
43.32	Mechanical seal	Silicon Carbide / Carbon EPDM or Viton ( See other options )						x		x		x

(\*) Only in bearing brackets 55 and 65.

(\*\*) For shaft sealing double mechanical seal

**Casing gasket:**

The casing is sealed by means of a confined flat gasket of EWP 210 material. Code of this design: 2

The casing is sealed by means of a confined flat gasket of PTFE. Code of this design: 4

**Motor Power:**

Using commercial electric motors, type of construction IM B3.

To determine the drive power we recommend the following safety margin:

Up to 4 kW: 25%

4 to 7,5 kW: 20%

above 7,5 kW: 15%

The following speeds must not be exceeded:

Size	max. speed rpm	Size	max. speed rpm	Size	max. speed rpm	Size	max. speed rpm
32125 32160	3600	32250	3000	40315 <sup>3)</sup> 50315 <sup>3)</sup>	1800	150500 200315	1500
32200 40125		40250		65315 80315		200400 200500	
40160 40200		50250		80400 100315		250300 250315	
50125 50160		65250		100400 125250		250400 250500	
50200 65125		80250		125315 125400		300400 300500	
65160 65200 <sup>1)</sup>		100250 <sup>2)</sup>		150200 150250 <sup>4)</sup>			
80160 <sup>1)</sup> 80200		125200 <sup>2)</sup>		150315 150400			
100160 100200		200250					

<sup>1)</sup> In material design 4B max. speed 3000 rpm

<sup>2)</sup> In material design 4B max. speed 1800 rpm

<sup>3)</sup> In material design 0E, and 4B max. speed 3000 rpm

<sup>4)</sup> In material design 4B max. speed 1500 rpm

The max. speeds are derived from the permissible shaft loads and the permissible peripheral speeds of the impellers

**Bearing bracket / pump size:**

Bracket 25	32125 32160 32200 32250 40125 40160 40200 40250 50125 50160 50200 50250 65125 65160 65200 80160
Bracket 35	40315 50315 65250 65315 80200 80250 80315 100160 100200 100250 100315 125200 125250 150200 150250
Bracket 45	80400 100400 125315 125400 150315 150400 200250
Bracket 55	150500 200315 200400 200500 250300 250315
Bracket 65	250400 250500 300400 300500

**General comments:**

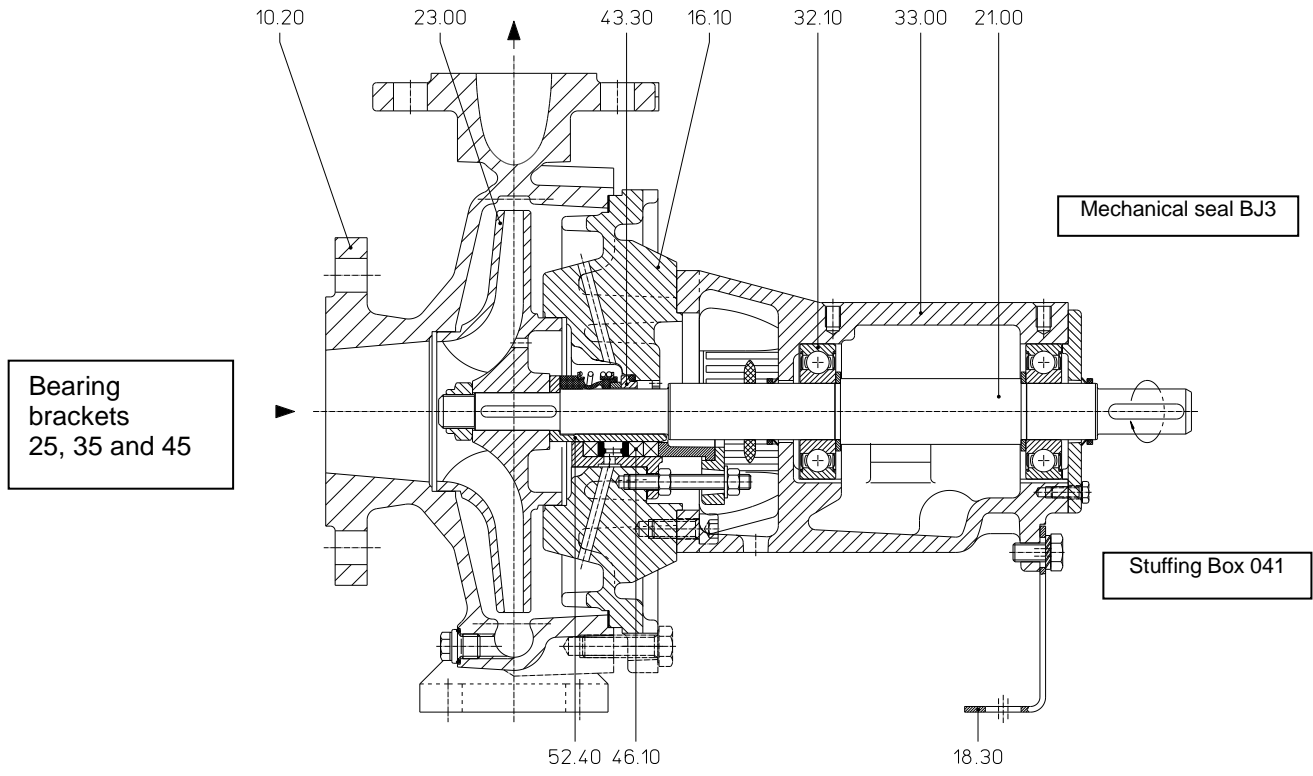
For horizontal volute pumps in CLOSE COUPLED construction with STANDARD motor for nominal performances and flange connections as per EN 733 refer to our series **ZLK**.

For INLINE pumps with the same drive unit, consisting of bearing bracket with bearing, stub shaft and mechanical seal, casing cover, impeller and impeller nut, refer to our series **ZLI** (supplied also with magnetic drive).

For equipping hot media systems a complete programme is available for a flow range between 1-1000 m<sup>3</sup>/h consisting of the range:

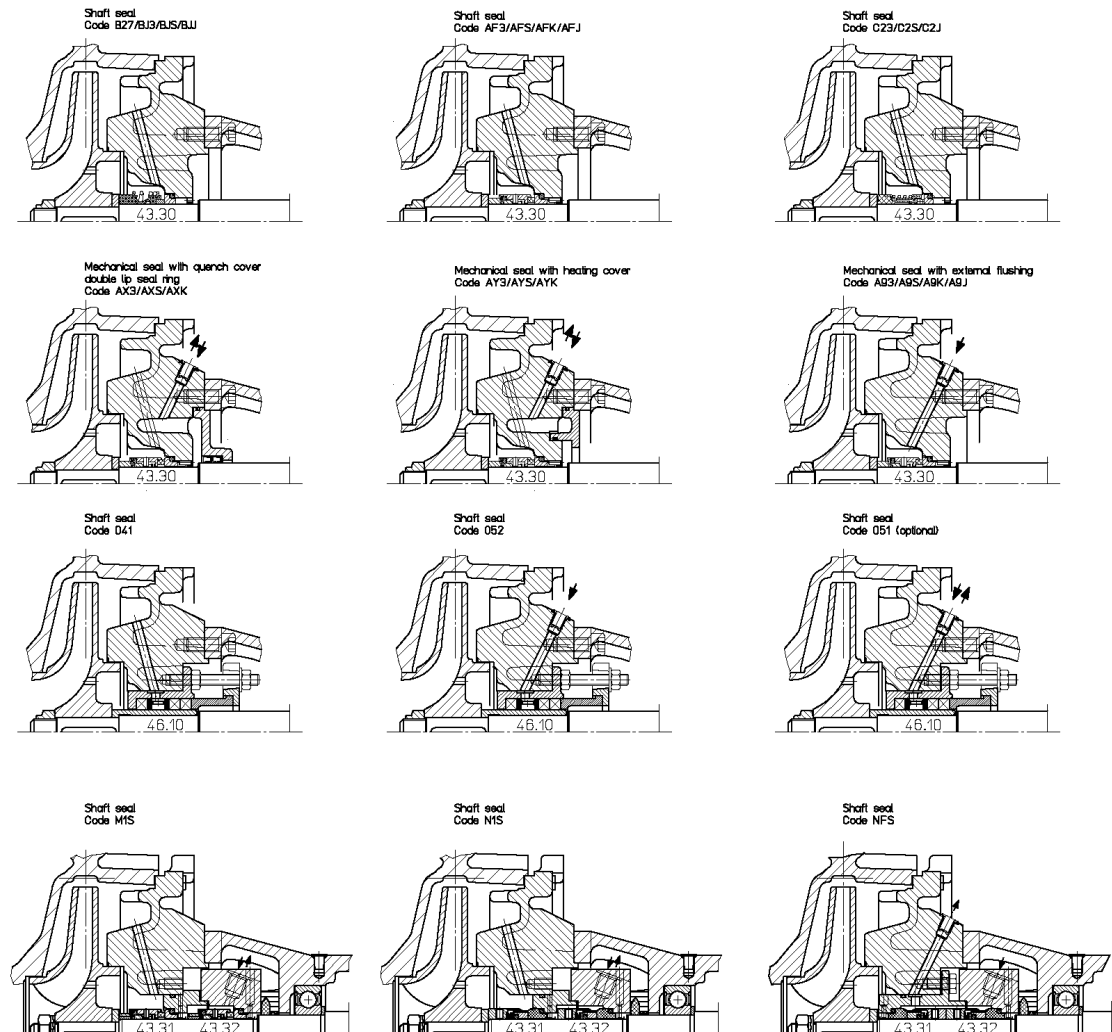
- ZTN** volute pumps to EN 733 design with base plate, t<sub>max</sub> 350 °C PN 16. Heat transfer oil.
- ZTK** volute pumps to EN 733 close coupled design, t<sub>max</sub> 350 °C PN 16. Heat transfer oil.
- ZTI** volute pumps to EN 733 as INLINE construction, t<sub>max</sub> 350° C PN 16. Heat transfer oil.
- ZEN** volute pumps to EN 22858, t<sub>max</sub> 230 °C PN 40. Hot water design.
- ZDN** volute pumps to EN 22858, t<sub>max</sub> 185 °C PN 25. Hot water design.
- ZHN** volute pumps to EN 733, t<sub>max</sub> 180 °C PN 16. Hot water design.
- ZLI** volute pumps to EN 733 as INLINE construction, t<sub>max</sub> 150 °C PN 25. Hot water design.

**SECTIONAL DRAWING AND NOMENCLATURE**

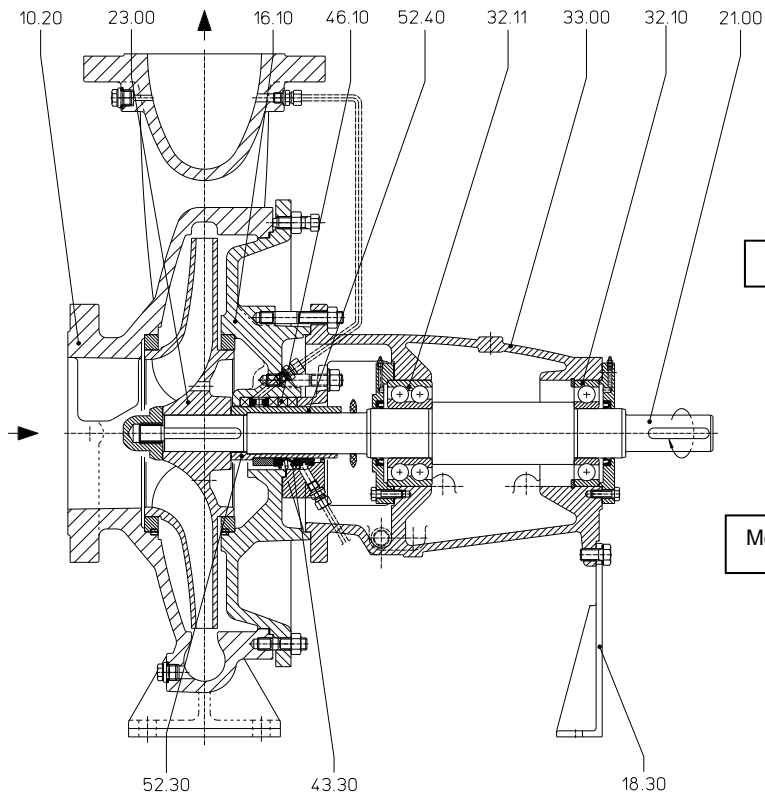


10.20	volute casing	23.00	impeller	43.30	mechanical seal
16.10	casing cover	32.10	ball bearing	46.10	stuffing box
18.30	support foot	33.00	bearing bracket	52.40	shaft sleeve (stuffing box)
21.00	shaft				

**Shafts seals**



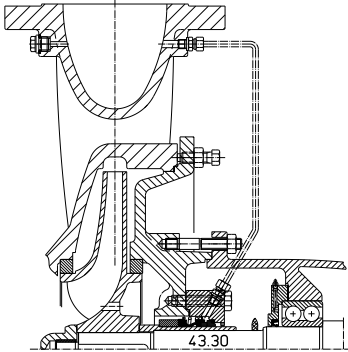
**SECTIONAL DRAWING AND NOMENCLATURE**



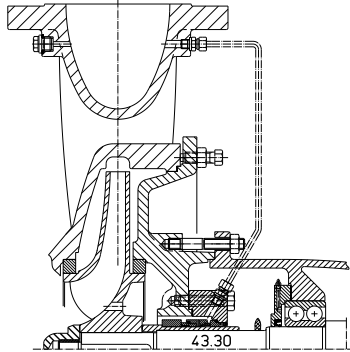
10.20	volute casing	23.00	impeller	43.30	mechanical seal
16.10	casing cover	32.10	ball bearing	46.10	stuffing box
18.30	support foot	32.11	ball bearing	52.30	shaft sleeve (mechanical seal)
21.00	shaft	33.00	bearing bracket	52.40	shaft sleeve (stuffing box)

**Shaft seals**

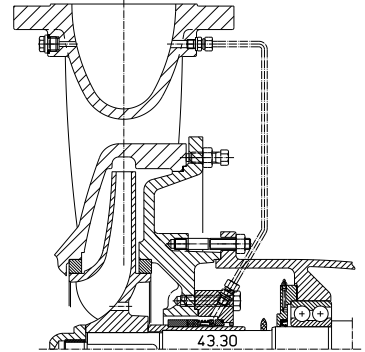
Shaft Seal  
Code BJ3/BJ5/BJJ



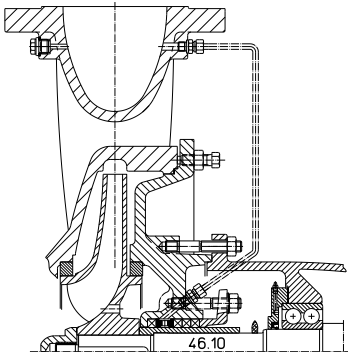
Shaft Seal  
Code AF3/AF5/AFK



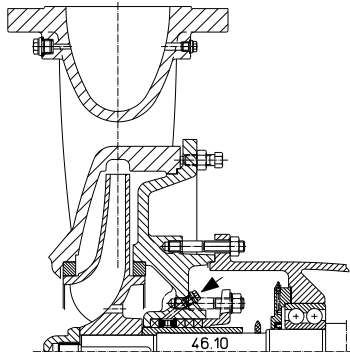
Shaft Seal  
Code C23/C25/C2J



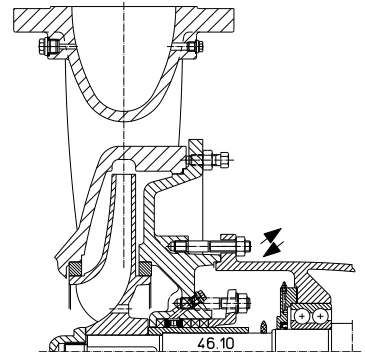
Shaft Seal  
Code 041



Shaft Seal  
Code 052

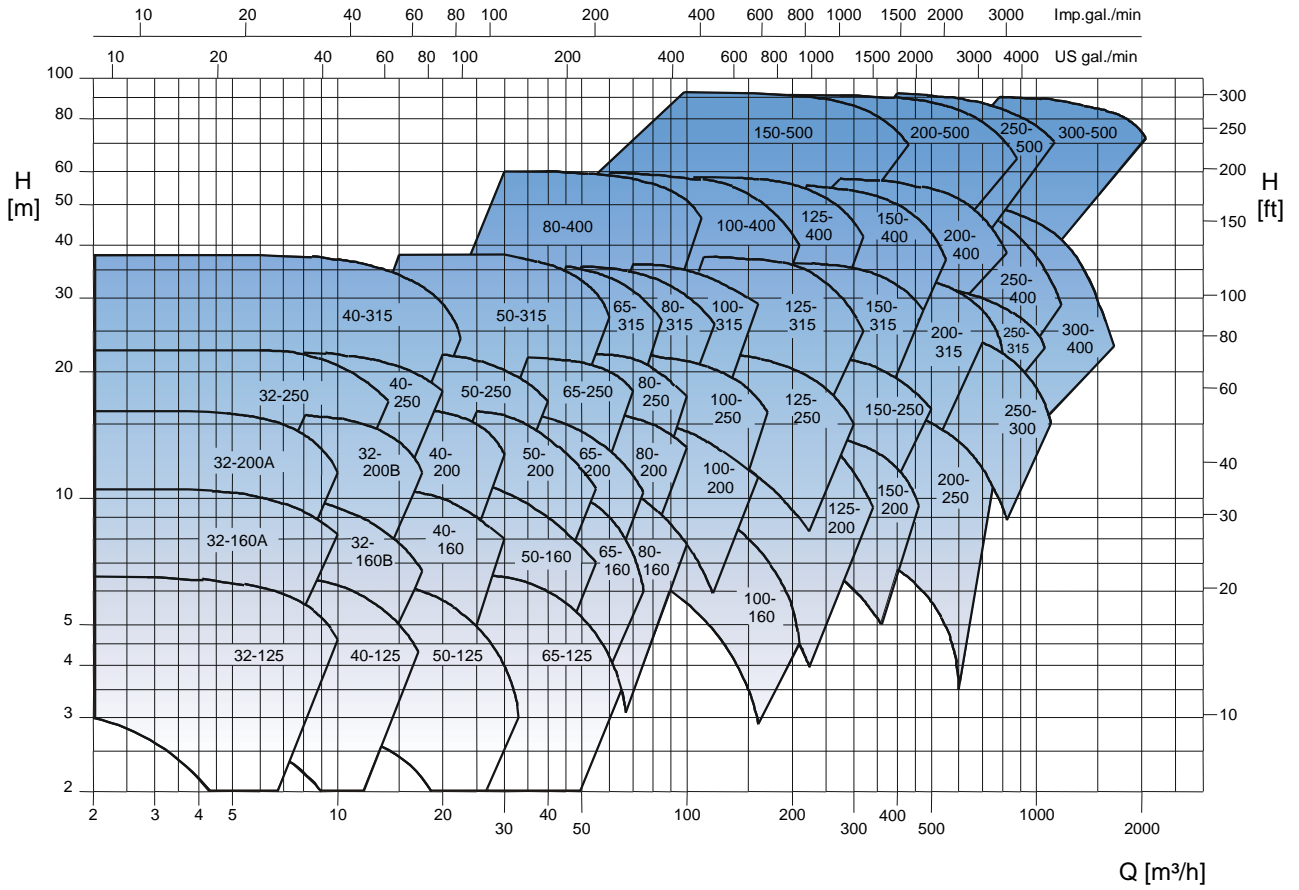


Shaft Seal  
Code 051 (optional)

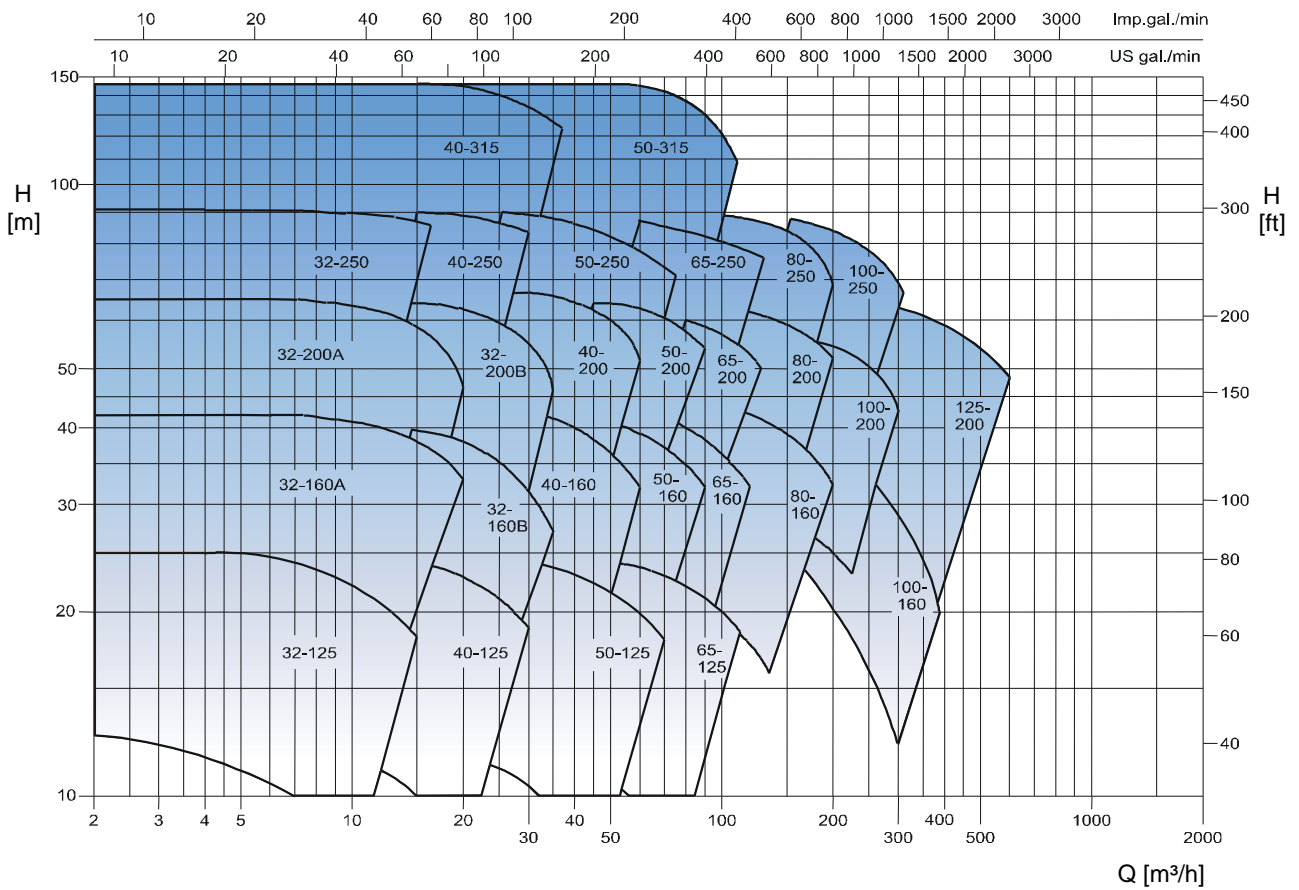


**Performance Graph 50 Hz**

**n = 1450 rpm**

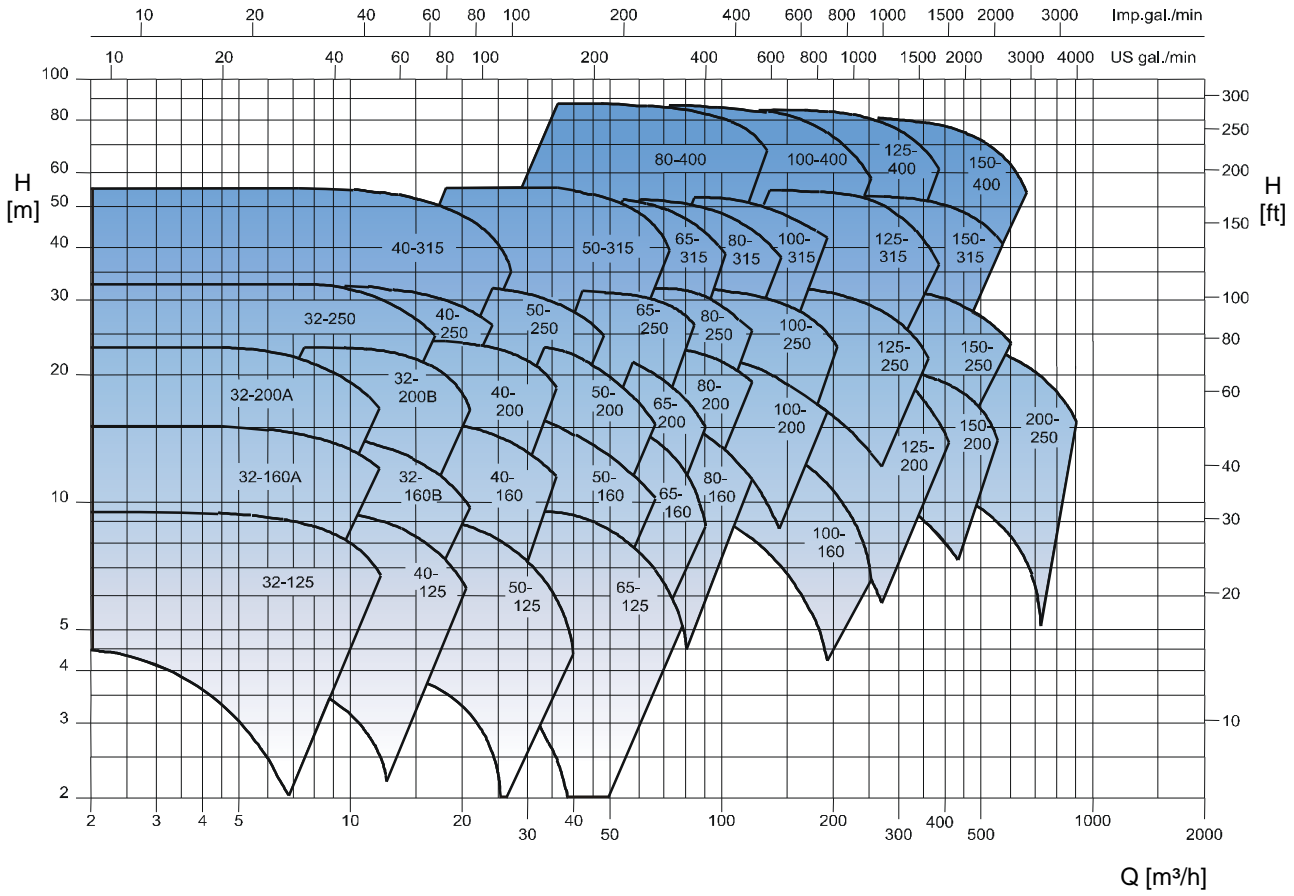


**n = 2900 rpm**

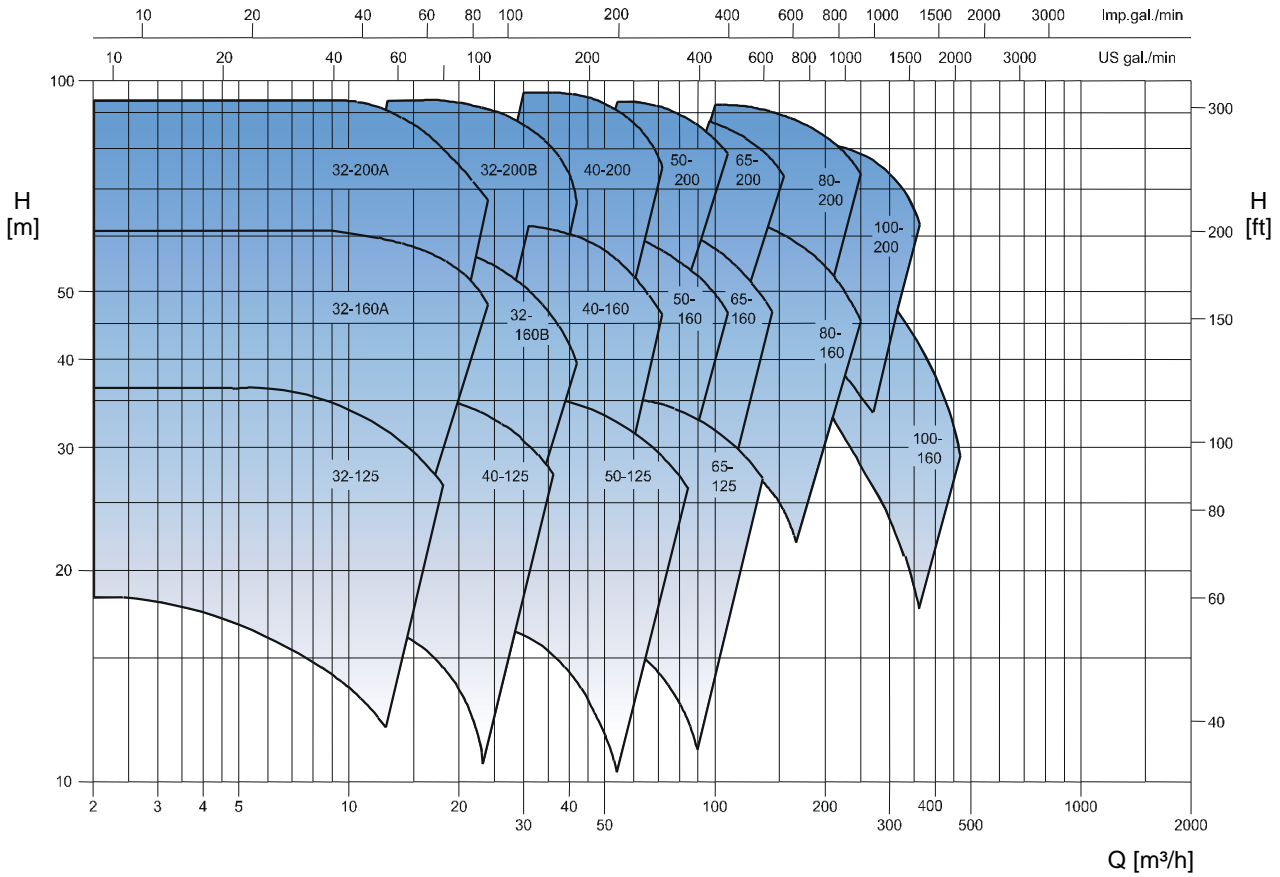


**Performance Graph 60 Hz**

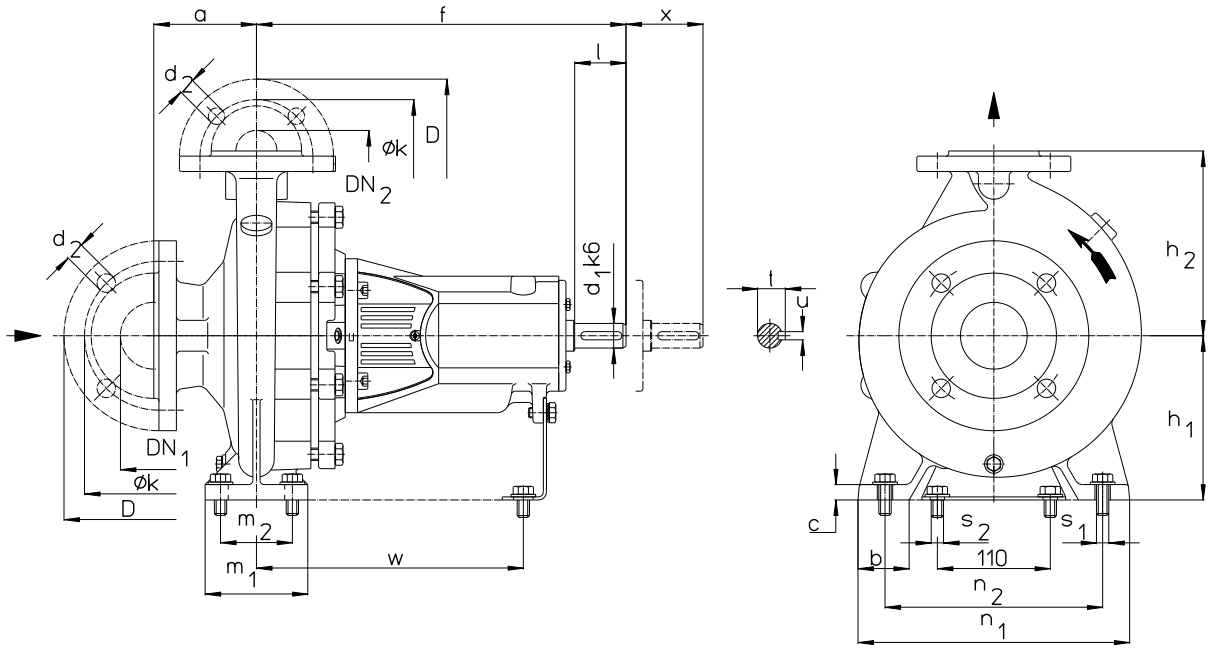
**n = 1750 rpm**



**n = 3500 rpm**



**Table of Dimensions**

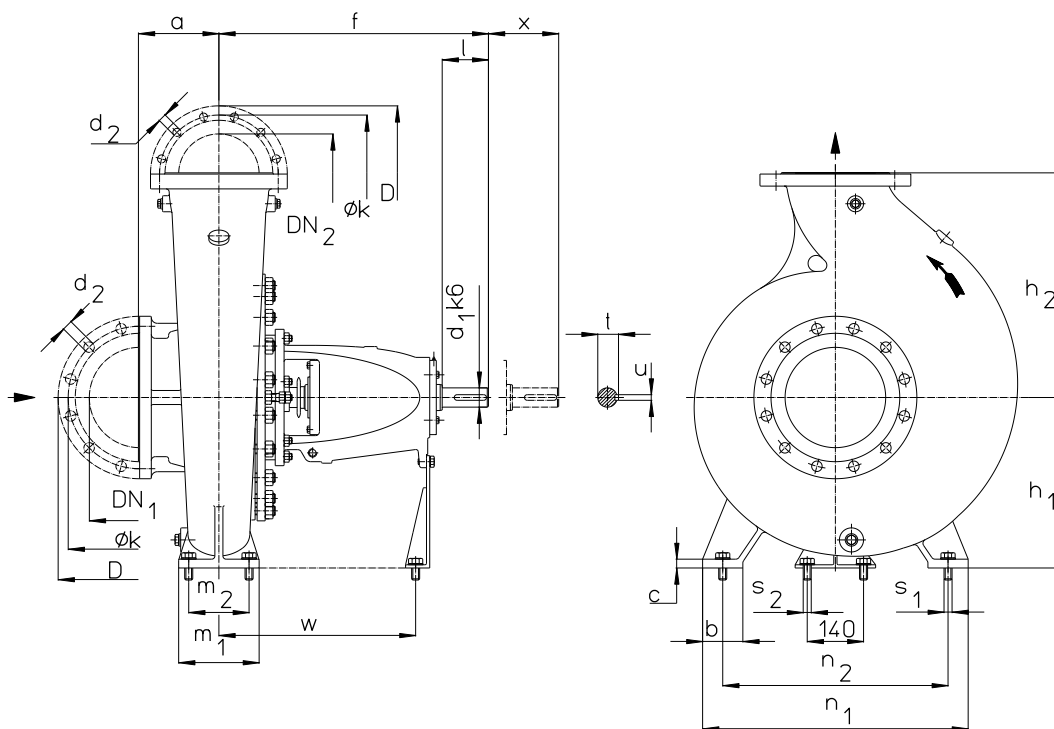


All dimensions in mm

Size	BB	Pump dimensions						Foot dimensions							Shaft end						
		DN <sub>2</sub>	DN <sub>1</sub>	a	f	h <sub>1</sub>	h <sub>2</sub>	b	c	m <sub>1</sub>	m <sub>2</sub>	n <sub>1</sub>	n <sub>2</sub>	s <sub>1</sub> *	s <sub>2</sub> *	w	x	d <sub>1</sub>	l	t	u
32125	25	32	50	80	360	112	140	50	15	100	70	190	140	M12	M12	260	100	24	50	27	8
32160	25	32	50	80	360	132	160	50	15	100	70	240	190	M12	M12	260	100	24	50	27	8
32200	25	32	50	80	360	160	180	50	15	100	70	240	190	M12	M12	260	100	24	50	27	8
32250 <sup>1)</sup>	25	32	50	100	360	180	225	65	15	125	95	320	250	M12	M12	260	100	24	50	27	8
40125	25	40	65	80	360	112	140	50	15	100	70	210	160	M12	M12	260	100	24	50	27	8
40160	25	40	65	80	360	132	160	50	15	100	70	240	190	M12	M12	260	100	24	50	27	8
40200	25	40	65	100	360	160	180	50	15	100	70	265	212	M12	M12	260	100	24	50	27	8
40250	25	40	65	100	360	180	225	65	15	125	95	320	250	M12	M12	260	100	24	50	27	8
40315 <sup>1)</sup>	35	40	65	125	470	225	250	65	18	125	95	345	280	M12	M12	340	100	32	80	35	10
50125	25	50	65	100	360	132	160	50	15	100	70	240	190	M12	M12	260	100	24	50	27	8
50160	25	50	65	100	360	160	180	50	15	100	70	265	212	M12	M12	260	100	24	50	27	8
50200	25	50	65	100	360	160	200	50	15	100	70	265	212	M12	M12	260	100	24	50	27	8
50250	25	50	65	100	360	180	225	65	15	125	95	320	250	M12	M12	260	100	24	50	27	8
50315 <sup>1)</sup>	35	50	65	125	470	225	280	65	17	125	95	345	280	M12	M12	340	100	32	80	35	10
65125	25	65	80	100	360	160	180	65	15	125	95	280	212	M12	M12	260	100	24	50	27	8
65160	25	65	80	100	360	160	200	65	15	125	95	280	212	M12	M12	260	100	24	50	27	8
65200	25	65	80	100	360	180	225	65	15	125	95	320	250	M12	M12	260	140	24	50	27	8
65250	35	65	80	100	470	200	250	80	15	160	120	360	280	M16	M12	340	140	32	80	35	10
65315	35	65	80	125	470	225	280	80	18	160	120	400	315	M16	M12	340	140	32	80	35	10
80160	25	80	100	125	360	180	225	65	15	125	95	320	250	M12	M12	260	140	24	50	27	8
80200	35	80	100	125	470	180	250	65	15	125	95	345	280	M12	M12	340	140	32	80	35	10
80250	35	80	100	125	470	200	280	80	18	160	120	400	315	M16	M12	340	140	32	80	35	10
80315	35	80	100	125	470	250	315	80	18	160	120	400	315	M16	M12	340	140	32	80	35	10
80400 <sup>1)</sup>	45	80	125	125	530	280	355	80	18	160	120	435	355	M16	M12	370	140	42	110	45	12
100160 <sup>1)</sup>	35	100	125	125	470	200	280	80	18	160	120	360	280	M16	M12	340	140	32	80	35	10
100200	35	100	125	125	470	200	280	80	18	160	120	360	280	M16	M12	340	140	32	80	35	10
100250	35	100	125	140	470	225	280	80	18	160	120	400	315	M16	M12	340	140	32	80	35	10
100315	35	100	125	140	470	250	315	80	18	160	120	400	315	M16	M12	340	140	32	80	35	10
100400	45	100	125	140	530	280	355	100	18	200	150	500	400	M20	M12	370	140	42	110	45	12
125200 <sup>1)</sup>	35	125	150	140	470	250	315	80	18	160	120	400	315	M16	M12	340	140	32	80	35	10
125250	35	125	150	140	470	250	355	80	18	160	120	400	315	M16	M12	340	140	32	80	35	10
125315	45	125	150	140	530	280	355	100	18	200	150	500	400	M20	M12	370	140	42	110	45	12
125400	45	125	150	140	530	315	400	100	18	200	150	500	400	M20	M12	370	140	42	110	45	12
150200 <sup>1)</sup>	35	150	200	160	470	280	400	100	20	200	150	550	450	M20	M12	340	140	32	80	35	10
150250 <sup>1)</sup>	35	150	200	160	470	280	400	100	20	200	150	500	400	M20	M12	340	140	32	80	35	10
150315	45	150	200	160	530	280	400	100	18	200	150	550	450	M20	M12	370	140	42	110	45	12
150400	45	150	200	160	530	315	450	100	18	200	150	550	450	M20	M12	370	140	42	110	45	12
200250 <sup>1)</sup>	45	200	200	160	590	280	400	100	22	200	150	500	400	M20	M12	430	180	42	110	45	12

<sup>1)</sup>Transnorm pump sizes, not included in DIN 24255 / EN 733. Flanges drilled according to ANSI 150 on request.  
 \* Slots suitable for bolts with dimensions indicated. Bolts are not included in the bare shaft pump standard scope of supply.

## Table of Dimensions



All dimensions in mm

Size	BB	Pump dimensions						Foot dimensions						Shaft end							
		DN <sub>2</sub>	DN <sub>1</sub>	a	f	h <sub>1</sub>	h <sub>2</sub>	b	c	m <sub>1</sub>	m <sub>2</sub>	n <sub>1</sub>	n <sub>2</sub>	s <sub>1</sub> *	s <sub>2</sub> *	w	x	d <sub>1</sub>	l	t	u
150500 <sup>1)</sup>	55	150	200	180	670	400	500	100	22	200	150	640	540	M20	M16	489	180	50	115	53.5	14
200315 <sup>1)</sup>	55	200	250	200	670	355	450	100	22	200	150	550	450	M20	M16	489	180	50	115	53.5	14
200400 <sup>1)</sup>	55	200	250	180	670	355	500	100	22	200	150	550	450	M20	M16	489	180	50	115	53.5	14
200500 <sup>1) 3)</sup>	55	200	250	200	670	425	560	100	22	200	150	660	560	M20	M16	489	180	50	115	53.5	14
250300 <sup>1)</sup>	55	250	300	305	655	425	550	120	28	240	190	700	600	M20	M16	474	180	50	115	53.5	14
250315 <sup>1)</sup>	55	250	300	250	670	375	560	120	28	240	190	620	520	M20	M16	489	180	50	115	53.5	14
250400 <sup>1)</sup>	65	250	300	250	720	400	600	120	29	240	190	700	600	M20	M16	508	180	60 <sup>2)</sup>	145	64	18
250500 <sup>1)</sup>	65	250	300	250	720	450	670	120	32	240	190	750	650	M20	M16	508	180	60 <sup>2)</sup>	145	64	18
300400 <sup>1)</sup>	65	300	350	300	720	425	670	120	30	250	190	760	660	M24	M16	508	180	60 <sup>2)</sup>	145	64	18
300500 <sup>1)</sup>	65	300	350	300	720	480	670	140	32	250	190	840	720	M24	M16	508	180	60 <sup>2)</sup>	145	64	18

<sup>1)</sup>Transnorm pump sizes, not included in DIN 24255 / EN 733. Flanges drilled according to ANSI 150 on request.

<sup>2)</sup>For these sizes the clearance corresponds to M6.

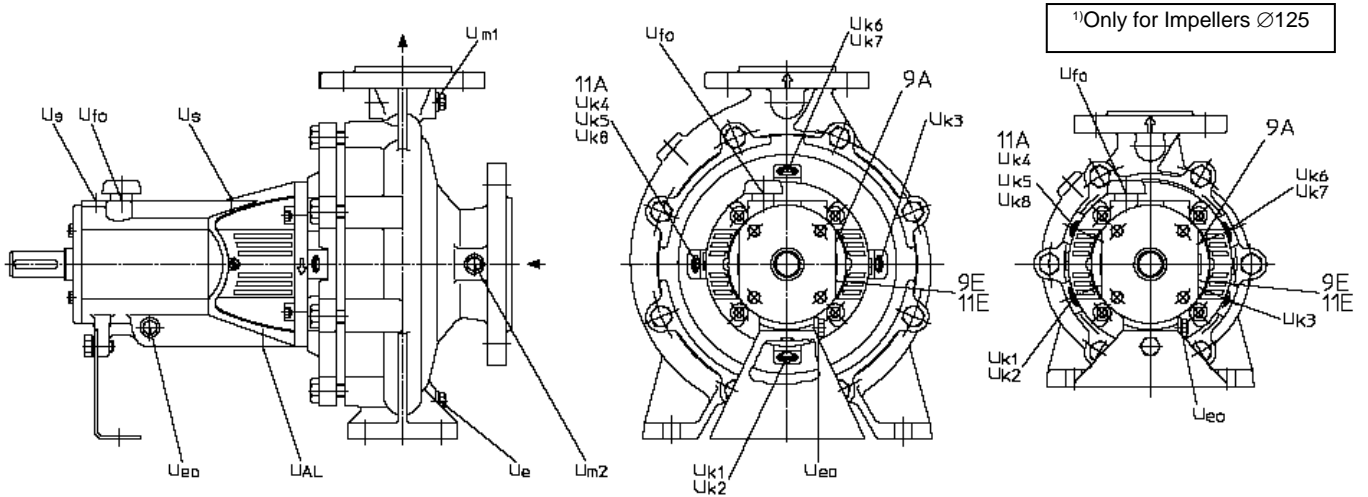
<sup>3)</sup>Discharge flange 12 x threaded drillings/M20 (only for PN 16 flanges).

\* Slots suitable for bolts with dimensions indicated. Bolts are not included in the bare shaft pump standard scope of supply.

Flange connections to DIN 2501 PN 16														DIN 2501 PN 10			
DN <sub>2</sub> /DN <sub>1</sub>	32	40	50	65	80	100	125	150	200	250	300	350	400	100	125	150	200
D	140	150	165	185	200	220	250	285	340	405	460	520	580	220	250	285	340
k	100	110	125	145	160	180	210	240	295	355	410	470	525	180	210	240	295
d <sub>2</sub> x number	18x4	18x4	18x4	18x4	18x8	18x8	18x8	22x8	22x12	26x12	26x12	26x16	30x16	18x8	18x8	22x8	22x8



## Connections for bearing brackets 25, 35 and 45



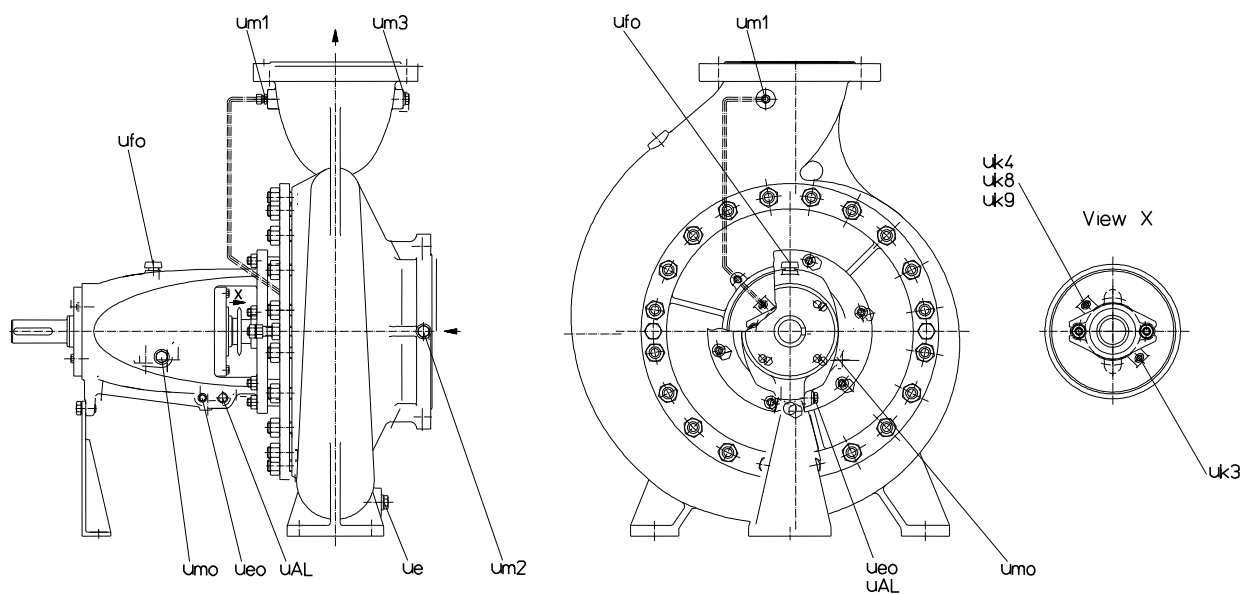
- u<sub>m1</sub> : Pressure gauge. Only available on request
- u<sub>m2</sub> : Pressure gauge. Only available on request
- u<sub>e</sub> : Drainage
- u<sub>eo</sub> : Oil drainage
- u<sub>fo</sub> : Oil filling
- u<sub>AL</sub> : Drainage for leakage. Threaded hole only available on request
- u<sub>s</sub> : Sensor
- 9A : Quench liquid outlet (tandem arrangement)
- 9E : Quench liquid inlet (tandem arrangement)

- u<sub>k1</sub> : Quench Inlet
- u<sub>k2</sub> : Heating Inlet
- u<sub>k3</sub> : 051 Inlet (Stuffing box)
- u<sub>k4</sub> : 052 External sealing (Stuffing box)
- u<sub>k5</sub> : External Flushing
- u<sub>k6</sub> : Quench Outlet
- u<sub>k7</sub> : Heating Outlet
- u<sub>k8</sub> : 051 Outlet (Stuffing box)
- 11A : Sealing liquid outlet (back to back arrangement)
- 11E : Sealing liquid inlet (back to back arrangement)

Size	U <sub>m1</sub>	U <sub>m2</sub>	U <sub>e</sub>	U <sub>eo</sub>	U <sub>fo</sub>	U <sub>AL</sub>	U <sub>s</sub>	U <sub>k1</sub>	U <sub>k2</sub>	U <sub>k3</sub>	U <sub>k4</sub>	U <sub>k5</sub>	U <sub>k6</sub>	U <sub>k7</sub>	U <sub>k8</sub>	9A	9E	11A	11E
32125 <sup>1)</sup>																			
32160																			
32200																			
32250																			
40125 <sup>1)</sup>																			
40160																			
40200			G 1 / 4																
40250			G 1 / 4																
40315			G 1 / 4																
50125 <sup>1)</sup>																			
50160																			
50200																			
50250																			
50315																			
65125 <sup>1)</sup>																			
65160																			
65200																			
65250																			
65315																			
80160	G 1 / 4																		
80200	G 1 / 4																		
80250	G 1 / 4																		
80315	G 1 / 4		G 3 / 8	G 1 / 4	∅15.65	∅13	M 8									G 1 / 4		G 1 / 8	G 1 / 4
80400	G 1 / 4		G 3 / 8	G 1 / 4	∅15.65	∅13	M 8									G 1 / 4		G 1 / 8	G 1 / 4
100160	G 1 / 4																		
100200	G 1 / 4																		
100250	G 1 / 4																		
100315	G 1 / 4																		
100400	G 1 / 4																		
125200	G 1 / 4																		
125250	G 1 / 4																		
125315	G 1 / 4																		
125400	G 1 / 4																		
150200	G 1 / 4																		
150250	G 1 / 4																		
150315	G 1 / 4																		
150400	G 1 / 4																		
200250	G 1 / 4																		

Certain construction sizes do not correspond in all details to the drawing.

## Connections for bearing brackets 55 and 65.

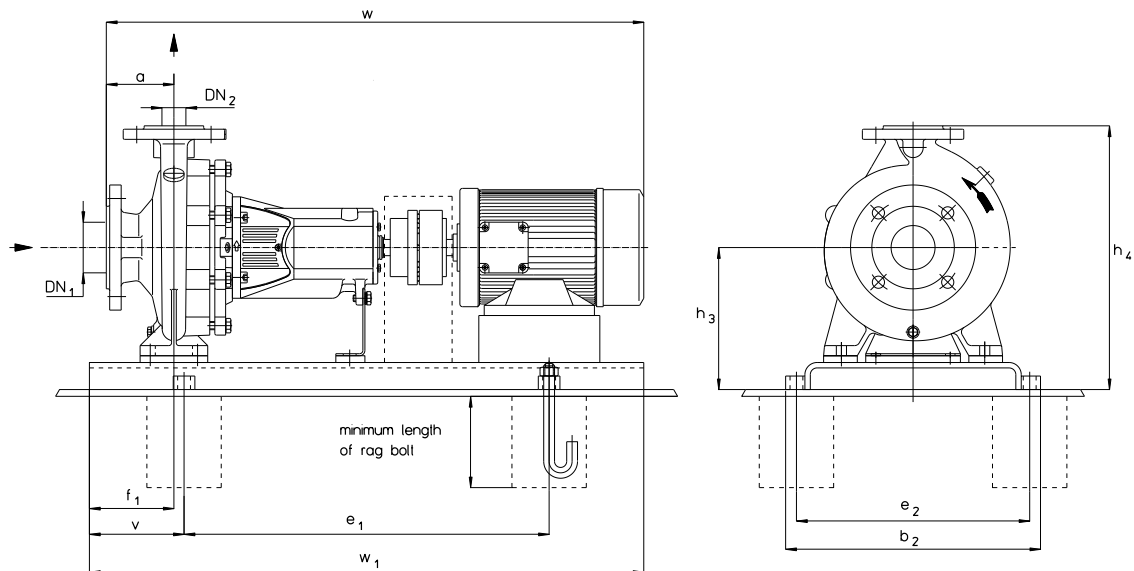


um1 : Self sealing connection  
 um2 : Pressure/vacuum gauge. Only available on request  
 ue : Drainage  
 ueo : Oil drainage  
 ufo : Oil filling  
 uAL : Drainage for leakage

um3 : Pressure gauge connection  
 uk3 : 051 Inlet (Stuffing box)  
 uk4 : 052 External sealing (Stuffing box)  
 uk8 : 051 Outlet (Stuffing box)  
 umo : Oil level control  
 uk9 : 041 inlet (Stuffing box)

Size	U <sub>m1</sub>	U <sub>m2</sub>	U <sub>e</sub>	U <sub>eo</sub>	U <sub>fo</sub>	U <sub>AL</sub>	U <sub>m3</sub>	U <sub>k3</sub>	U <sub>k4</sub>	U <sub>k8</sub>	U <sub>mo</sub>	U <sub>k9</sub>
150500												
200315												
200400												
200500												
250300												
250315	G1/4	G1/2	G1/2	G1/4	Ø20	G1/2	G1/2	G1/4	G1/4	G1/4	G3/4	G1/4
250400												
250500												
300400												
300500												

**Foundation plan, bearing brackets 25, 35 and 45.**



Dimensions in mm

Tolerances for welded parts acc. to DIN 8570 B

n = 1450 rpm

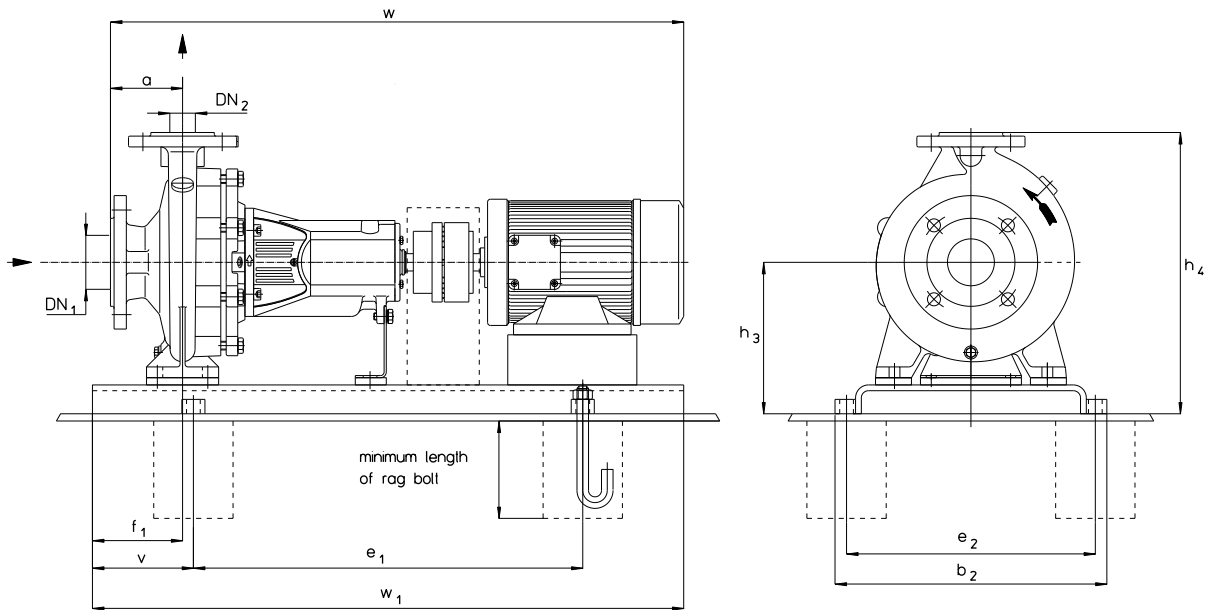
Size	Motor		Base plate No.	Cplg.	Weight kg		DN <sub>2</sub>	DN <sub>1</sub>	a	b <sub>2</sub>	e <sub>1</sub>	e <sub>2</sub>	v	f <sub>1</sub>	h <sub>3</sub>	h <sub>4</sub>	w*	w <sub>1</sub>	Rag bolt
	size	kW			pump	unit													
32-125	71	0.25	S241	B68	31	50	32	50	80	330	480	290	125	60	177	317	683	730	M16x200
	71	0.37			65	197				357	683								
32-160	80	0.55	S301	B68	33	67	32	50	80	390	480	350	125	60	225	405	717	730	M16x200
	80	0.75			68	70				717									
32-200	90S	1.10	S383	B80	34	73	32	50	100	490	600	440	160	75	260	485	737	920	M20x400
	80	0.75			103	106				109	795								
32-250	90L	1.50	S383	B80	46	109	32	50	100	490	600	440	160	75	260	485	795	920	M20x400
	100L	2.20			119	106				109	836								
40-125	71	0.37	S241	B68	28	60	40	65	80	330	480	290	125	60	177	317	683	730	M16x200
	80	0.55			62	62				64	717								
40-160	71	0.37	S301	B68	30	66	40	65	80	390	480	350	125	60	197	357	717	730	M16x200
	80	0.55			64	66				69	717								
40-200	80	0.55	S383	B80	36	77	40	65	100	490	600	440	160	75	225	405	737	920	M20x400
	80	0.75			75	77				80	795								
40-250	90S	1.10	S383	B80	46	106	40	65	100	490	600	440	160	75	260	485	795	920	M20x400
	90L	1.50			109	119				121	836								
40-315	100L	2.20	S434	B95	73	147	40	65	125	540	660	490	170	75	305	555	971	1000	M20x400
	112M	4.00			155	171				121	992								
50-125	71	0.37	S301	B68	30	62	50	65	100	450	540	400	140	60	197	357	703	730	M16x200
	80	0.55			64	66				66	737								
50-160	80	0.75	S301	B68	36	75	50	65	100	390	480	350	125	60	225	405	737	730	M16x200
	80	0.55			77	77				80	795								
50-200	90S	1.10	S342	B80	40	81	50	65	100	490	600	440	160	75	260	485	737	820	M16x200
	80	0.75			80	81				84	795								
50-250	90L	1.50	S383	B80	46	106	50	65	100	490	600	440	160	75	260	485	836	920	M20x400
	100L	2.20			109	119				125	836								
50-315	112M	4.00	S434	B95	73	147	50	65	125	540	660	490	170	75	305	555	971	1000	M20x400
	132S	5.50			155	171				121	992								
65-125	80	0.55	S342	B68	33	80	65	80	100	450	540	400	140	60	240	440	795	820	M20x400
	80	0.75			82	82				88	737								
65-160	80	0.75	S342	B80	39	88	65	80	100	490	600	440	160	75	260	485	836	920	M20x400
	90L	1.50			95	95				95	795								
65-200	100L	2.20	S342	B80	46	106	65	80	100	490	600	440	160	75	260	485	836	920	M20x400
	100L	2.20			109	119				125	836								

Size	Motor		Base plate No.	Cplg.	Weight kg		DN <sub>2</sub>	DN <sub>1</sub>	a	b <sub>2</sub>	e <sub>1</sub>	e <sub>2</sub>	v	f <sub>1</sub>	h <sub>3</sub>	h <sub>4</sub>	w*	Rag bolt size	
	size	kW			pump	unit													
65-200	90S	1.10	S383	B68	45	105	65	80	100	490	600	440	160	75	260	485	795	920	M20x400
	90L	1.50				108											795		
	100L	2.20		118		836													
	100L	3.00		120		836													
65-250	112M	4.00	S434	B80	70	125	65	80	100	490	660	490	170	90	280	530	857	1000	M24x400
	100L	2.20				158											946		
	100L	3.00		160		946													
	112M	4.00		165		967													
65-315	132S	5.50	S605	B95	92	181	65	80	125	730	740	670	190	325	605	1043	1120	M24x400	
	132M	7.50				236										1068			
	160M	11.00		247		1094													
	160L	15.00		268		1186													
80-160	80	0.75	S383	B68	43	100	80	100	490	600	440	160	75	260	485	762	920	M20x400	
	90S	1.10				103										820			
	90L	1.50		106		820													
	100L	2.20		116		861													
80-200	100L	3.00	S434	B80	60	118	80	100	490	600	440	160	75	260	510	861	1000	M24x400	
	100L	2.20				125										930			
	100L	3.00		134		971													
	112M	4.00		136		971													
80-250	132S	5.50	S605	B95	75	141	80	125	540	660	490	170	90	300	580	992	1120	M24x400	
	100L	2.20				157										1068			
	100L	3.00		197		971													
	112M	4.00		202		992													
80-315	132S	5.50	S486	B95	95	218	80	125	730	740	670	190	90	350	665	1068	1250	M24x400	
	132M	7.50				230										1094			
	160M	11.00		239		1068													
	160L	15.00		251		1094													
80-400	160M	11.00	S486	B95	143	272	80	125	610	840	550	205	380	735	1186	1250	M24x400		
	160L	15.00				291									1247				
	180M	18.50		322		1247													
	180L	22.00		340		1371													
100-160	200L	30.00	S434	B110	78	424	100	125	540	660	490	170	280	560	1371	1000	M20x400		
	100L	2.20				166									971				
	100L	3.00		169		971													
	112M	4.00		174		992													
100-200	132S	5.50	S605	B95	70	190	100	125	730	740	670	190	90	300	580	1068	1120	M24x400	
	100L	2.20				190										1068			
	100L	3.00		158		971													
	112M	4.00		160		971													
100-250	132S	5.50	S434	B80	85	181	100	125	540	660	490	170	90	280	560	971	1000	M20x400	
	100L	2.20				160										971			
	112M	4.00		165		992													
	132S	5.50		181		1068													
100-315	132M	7.50	S605	B95	104	193	100	125	730	740	670	190	325	605	1094	1120	M24x400		
	160M	11.00				213									1007				
	160L	15.00		228		1083													
	180M	18.50		240		1109													
100-400	160M	11.00	S486	B110	177	261	100	140	610	840	550	205	350	665	1201	1250	M24x400		
	180L	22.00				281									1201				
	200L	30.00		300		1263													
	225S	37.00		320		1325													
125-200	225M	45.00	S606	B95	104	337	100	125	730	840	670	230	110	380	735	1325	1400	M24x400	
	160L	15.00				402										1262			
	180M	18.50		423		1386													
	180L	22.00		438		1386													
125-250	200L	30.00	S607	B140	177	486	100	140	730	940	670	230	110	380	735	1444	1400	M24x400	
	225S	37.00				548										1481			
	225M	45.00		569		1481													
	132M	7.50		256		1109													
125-315	160M	11.00	S486	B110	100	277	125	150	730	740	670	190	90	350	665	1201	1120	M24x400	
	160L	15.00				296										1263			
	132M	7.50		258		1109													
	160M	11.00		279		1201													
125-400	160L	15.00	S606	B95	151	375	125	150	140	730	840	205	110	380	735	1263	1250	M24x400	
	180M	18.50				396										1386			
	180L	22.00		411		1386													
	200L	30.00		459		1444													
150-200	225S	37.00	S607	B140	188	520	150	200	940	670	230	200	455	815	1481	1400	M16x200		
	200L	30.00				498									1444				
	225M	45.00		559		1481													
	250M	55.00		580		1481													
150-250	280S	75.00	180x73x14	B180	188	793	150	200	1460	680	170	200	455	855	1604	1800	M16x200		
	132M	7.50				295									1129				
	160M	11.00		316		1221													
	160L	15.00		335		1283													
150-400	180M	18.50	S606	B110	123	355	150	200	730	840	670	205	110	380	780	1345	1250	M24x400	
	160L	15.00				340										1283			
	180M	18.50		360		1345													
	180L	22.00		389		1345													
150-400	200L	30.00	S607	B140	128	436	150	200	940	670	230	230	415	815	1403	1400	M24x400		

Size	Motor		Base plate No.	Cplg.	Weight kg		DN <sub>2</sub>	DN <sub>1</sub>	a	b <sub>2</sub>	e <sub>1</sub>	e <sub>2</sub>	v	f <sub>1</sub>	h <sub>3</sub>	h <sub>4</sub>	w*	W <sub>1</sub>	Rag bolt
	size	kW			pump	unit													
150-315	180L	22.00	S606	B110	170	431	150	200	160	730	940	670	230	110	380	780	1406	1400	M24x400
	200L	30.00		B125		479											1464		
	225S	37.00	S607	B140		540											1501		
	225M	45.00		B160		561											1501		
	250M	55.00				774											1624		
150-400	225M	45.00	S607	B140	205	598	200	160	730	940	670	230	110	415	865	1501	1400	M24x400	
	250M	55.00		B160		811										1624			
	160L	15.00		B95		471										1342			
200-250	180M	18.50	S607	B110	230	492	200	200	160	730	940	670	230	185	380	780	1466	1400	M24x400
	180L	22.00		B125		507											1466		
	200L	30.00				555											1524		

\* Motor protection type IP 55, dimensions depend on the motor manufacturer.  
Dimension listed are taken from the SIEMENS catalogue.

# Foundation plan, bearing brackets 25,35 and 45



Dimensions in mm

Tolerances for welded parts acc. to DIN 8570 B

n = 2900 rpm

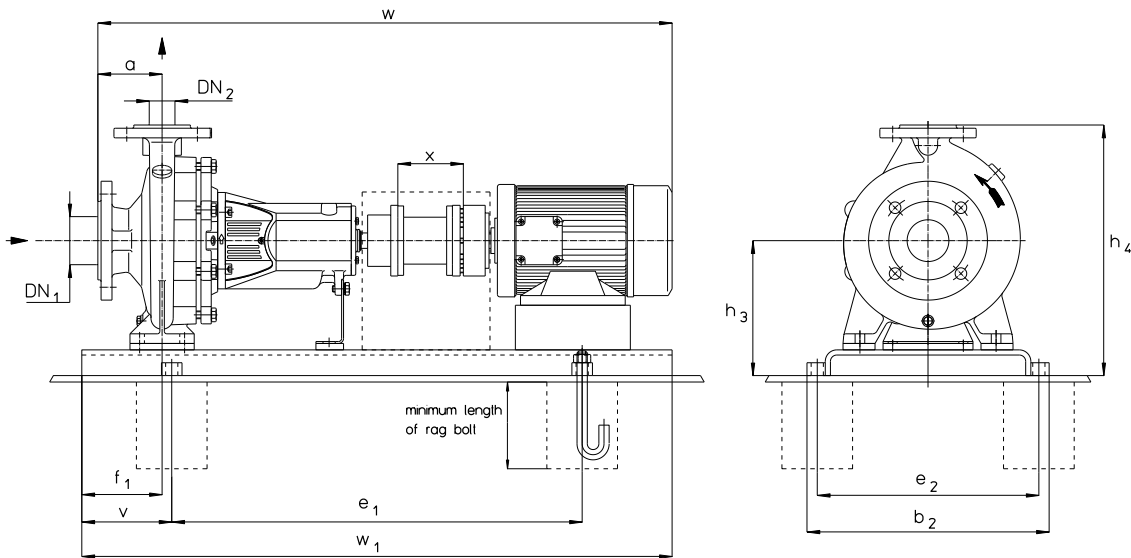
Size	Motor		Base plate No.	Cplg.	Weight kg		DN <sub>2</sub>	DN <sub>1</sub>	a	b <sub>2</sub>	e <sub>1</sub>	e <sub>2</sub>	v	f <sub>1</sub>	h <sub>3</sub>	h <sub>4</sub>	w*	w <sub>1</sub>	Rag bolt	
	size	kW			pump	unit														
32-125	71	0.55	S241	B68	31	51	32	50	80	330	480	290	125	60	177	317	683	730	M16x200	
	80	0.75															52			717
	80	1.10															54			717
	90S	1.50															57			775
	90L	2.20															74			775
32-160	90S	1.50	S301	B80	33	72	32	50	80	360	540	320	140	60	197	357	775	820	M16x200	
	90L	2.20	80														775			
	100L	3.00	S272														89			816
	112M	4.00	96														837			
32-200	90L	2.20	S301	B68	34	81	32	50	80	390	480	350	125	60	225	405	775	730	M16x200	
	100L	3.00	S272	B80													90			816
	112M	4.00	97	837																
	132S	5.50	S303	128													913			
	132S	7.50	138	913																
32-250	132S	7.50	S383	B95	46	151	32	50	100	490	600	440	160	75	260	485	933	1000	M20x400	
	160M	11.00	S434														171			1051
	160M	15.00	184														1051			
40-125	80	1.10	S241	B68	28	64	40	65	80	330	480	290	125	60	177	317	717	730	M16x200	
	90S	1.50															67			775
	90L	2.20															71			775
	100L	3.00															80			816
40-160	90S	1.50	S301	B68	30	69	40	65	80	360	540	320	140	60	197	357	775	820	M16x200	
	90L	2.20	77	775																
	100L	3.00	S272	B80													79			816
	112M	4.00	93	837																
	132S	5.50	S303	B95													115			913
40-200	100L	3.00	S342	B80	36	92	40	65	100	450	540	400	140	60	240	420	836	820	M20x400	
	112M	4.00	99	857																
	132S	5.50	S303	B95													122			933
	132S	7.50	133														933			
	160M	11.00	S383														162			1051
40-250	132S	7.50	S434	B95	46	151	40	65	100	490	600	440	160	75	240	420	933	920	M20x400	
	160M	11.00															171			1051
	160M	15.00															184			1051
	160L	18.50															224			1113
50-125	90S	1.50	S301	B68	30	69	50	65	100	390	480	350	125	60	197	357	795	730	M16x200	
	90L	2.20	77	795																
	132S	5.50	S303	B95													116			933
50-160	90L	2.20	S301	B68	36	83	50	65	100	450	540	400	140	60	225	405	795	730	M16x200	
	100L	3.00	S342	B80													92			836
	112M	4.00	99	857																
	132S	5.50	S303	B95													122			933
	132S	7.50	133														933			
	160M	11.00	S383														162			1050

\* Motor protection type IP 55, dimensions depend on the motor manufacturer. Dimensions listed are taken the SIEMENS catalogue.

Size	Motor		Base plate No.	Cplg.	Weight kg		DN <sub>2</sub>	DN <sub>1</sub>	a	b <sub>2</sub>	e <sub>1</sub>	e <sub>2</sub>	v	f <sub>1</sub>	h <sub>3</sub>	h <sub>4</sub>	W*	W <sub>1</sub>	Rag bolt		
	size	kW			pump	unit															
50-200	100L	3.00	S342	B80	40	96	50	65	100	450	540	400	140	60	240	440	836	920	M20x400		
	112M	4.00	S303	B95		103											857				
	132S	5.50				126											933				
	132S	7.50	S383	B95		136											933				
	160M	11.00				167											1051				
160M	15.00	180			1051																
50-250	160M	15.00	S434	B110	50	188	65	80	100	540	660	490	170	75	260	485	1051	1000	M24x400		
	160L	18.50	S605			B125											228			1113	
	180M	22.00															243			1175	
	200L	30.00	303			1233															
65-125	100L	3.00	S342	B80	33	98	65	80	100	450	540	400	140	60	240	420	836	920	M20x400		
	112M	4.00	S383	B95		104											857				
	132S	5.50				119											933				
	132S	7.50	S434	B95		130											933				
	132S	5.50				125											933				
132S	7.50	136			1051																
65-160	160M	11.00	S434	B95	39	165	65	80	100	540	660	490	170	75	260	485	1051	1000	M20x400		
	160M	15.00				179											1051				
	160M	11.00				170											1051				
	160M	15.00				183											1113				
65-200	160L	18.50	S605	B110	45	222	65	80	100	730	740	670	190	75	280	505	1175	1120	M24x400		
	180M	22.00				238											1233				
	200L	30.00				298											1233				
	200L	30.00				298											1233				
65-250	160L	18.50	S435	B95	70	254	65	80	100	540	660	490	200	90	280	530	1223	1140	M20x400		
	180M	22.00	S486	B125		290											1285				
	200L	30.00				397											1343				
	200L	37.00	332	1343																	
	225M	45.00	S607	B125		357											1373				
80-160	132S	7.50	S383	B95	43	148	80	100	125	490	600	440	160	75	260	485	958	1000	M20x400		
	160M	11.00	S434			B95											167			1076	
	160M	15.00															181			1076	
	160L	18.50	S605			B95											220			1138	
	180M	22.00															235			1200	
160M	15.00	226		1186																	
80-200	160L	18.50	S605	B95	60	244	80	100	125	730	740	670	190	75	280	530	1248	1120	M24x400		
	180M	22.00				259											1310				
	200L	30.00				314											1368				
	200L	37.00				338											1368				
80-250	180M	22.00	S486	B110	75	293	80	100	125	610	840	550	205	90	300	580	1310	1250	M24x400		
	200L	30.00				348											1368				
	200L	37.00				372											1368				
	225M	45.00				402											1368				
	250M	55.00				S607											B140			651	1528
100-160	160L	18.50	S435	B95	78	263	100	125	125	540	740	490	200	90	280	560	1248	1140	M20x400		
	180M	22.00	S486	B110		278											1310				
	200L	30.00				341											1368				
	200L	37.00	365	1368																	
100-200	160L	18.50	S435	B95	70	254	100	125	125	540	740	490	200	90	280	580	1248	1140	M20x400		
	180M	22.00	S486	B110		269											1310				
	200L	30.00				332											1368				
	200L	37.00	357	1368																	
	225M	45.00	S607	B125		397											1398				
100-250	200L	30.00	S486	B125	85	358	100	125	140	610	840	550	205	90	325	605	1383	1250	M24x400		
	200L	37.00				382											1383				
	225M	45.00				S607											B140			413	1413
	250M	55.00				S609A											B160			661	1543
	280S	75.00																		827	1643
280M	90.00	869	1643																		
125-200	250M	55.00	S607	B140	100	677	125	150	140	730	940	670	230	90	350	665	1543	1400	M24x400		
	280S	75.00	S609A	B160		842											1643				
	280M	90.00	884	1643																	

\* Motor protection type IP 55, dimensions depend on the motor manufacturer. Dimensions listed are taken from the SIEMENS catalogue.

Foundation plan for units with spacer type coupling, bearing brackets 25, 35 and 45



Dimensions in mm

Tolerances for welded parts acc. to DIN 8570B

n = 1450 rpm

Size	Motor		Base plate No.	Cplg.	Weight kg		DN <sub>2</sub>	DN <sub>1</sub>	a	b <sub>2</sub>	e <sub>1</sub>	e <sub>2</sub>	v	f <sub>1</sub>	h <sub>3</sub>	h <sub>4</sub>	x	w*	w <sub>1</sub>	Rag bolt																	
	size	kW			pump	unit																															
32-125	71	0.37	S272	H80	31	69	32	50	80	360	540	320	140	60	177	317	100	823	820	M16x200																	
	71	0.37			33	71									197	357		823																			
32-160	80	0.55			34	74									225	405		857																			
	80	0.55			34	76															210	390	857														
32-200	90S	1.10			S015	H80									46	105		100			490	600	440	160	75	260	485	75	260	485	915	920	M12x100				
	80	0.75																													107			877			
	90S	1.10	108	935																																	
	90L	1.50	112	935																																	
32-250	100L	2.20	S383	H80	46	120	100	490	600	440	160	75	260	485	75	260	485	976	920	M20x400																	
	80	0.75																105			877																
	90S	1.10																108			935																
	90L	1.50																112			935																
40-125	71	0.37	S272	H80	28	66	40	65	80	360	540	320	140	60	177	317	100	823	820	M20x200																	
	71	0.37			30	68									197	357		823																			
40-160	80	0.55			30	70									240	420		857																			
	80	0.55			30	72															240	420	857														
40-200	90S	1.10			S015	H80									36	85		100			390	600	350	160	75	260	485	75	260	485	915	920	M12x100				
	80	0.75																													85			877			
40-250	80	0.75	S342	H80	36	89	100	390	600	350	160	75	260	485	75	260	485	935	920	M16x200																	
	90L	1.50																93			935																
	90S	1.10																108			935																
	90L	1.50																112			976																
40-315	100L	2.20	S303	H80	46	120	100	490	600	440	160	75	260	485	75	260	485	976	920	M20x400																	
	100L	2.20																123			976																
	100L	2.20																163			1111																
	100L	2.20																165			1111																
40-315	112M	4.00	S605	H95	73	170	125	730	740	670	190	75	325	575	75	325	575	1132	1120	M24x400																	
	112M	4.00																186			1208																
	132S	5.50																170			1132																
50-125	71	0.37	S272	H80	30	68	50	65	100	360	540	320	140	60	197	357	100	843	820	M16x200																	
	80	0.55																70			877																
50-160	80	0.75																S342			H80	36	77	100	450	540	400	140	60	240	420	60	240	420	877	820	M20x400
	80	0.75																																	77		
50-200	90S	1.10																S303			H80	36	79	100	390	600	350	160	60	225	405	60	225	405	935	920	M16x200
	80	0.75																																	82		
50-250	90L	1.50	S303	H80	40	91	100	390	540	400	140	60	240	440	60	240	440	935	920	M16x200																	
	90L	1.50																97			935																
	100L	2.20																106			976																
	90L	1.50																116			935																
50-315	100L	2.20	S383	H80	50	125	100	490	600	440	160	75	260	485	75	260	485	976	920	M20x400																	
	100L	2.20																127			976																
	100L	2.20																132			997																
	112M	4.00																186			1132																
50-315	132S	5.50	S605	H95	88	201	125	730	740	670	190	75	325	605	75	325	605	1208	1120	M24x400																	
	132S	5.50																226			1234																
	132M	7.50																226			1234																
65-125	80	0.55	S342	H80	33	83	65	80	100	450	540	400	140	60	240	440	100	877	820	M20x400																	
	80	0.75																84			877																
65-160	80	0.75																S383			H80	39	90	65	80	100	490	600	440	160	60	240	440	100	877	820	M20x400
	90L	1.50																																	97		
65-160	100L	2.20																S383			H80	39	115	65	80	100	490	600	440	160	60	240	440	100	935	920	M20x400
	100L	2.20																																	115		

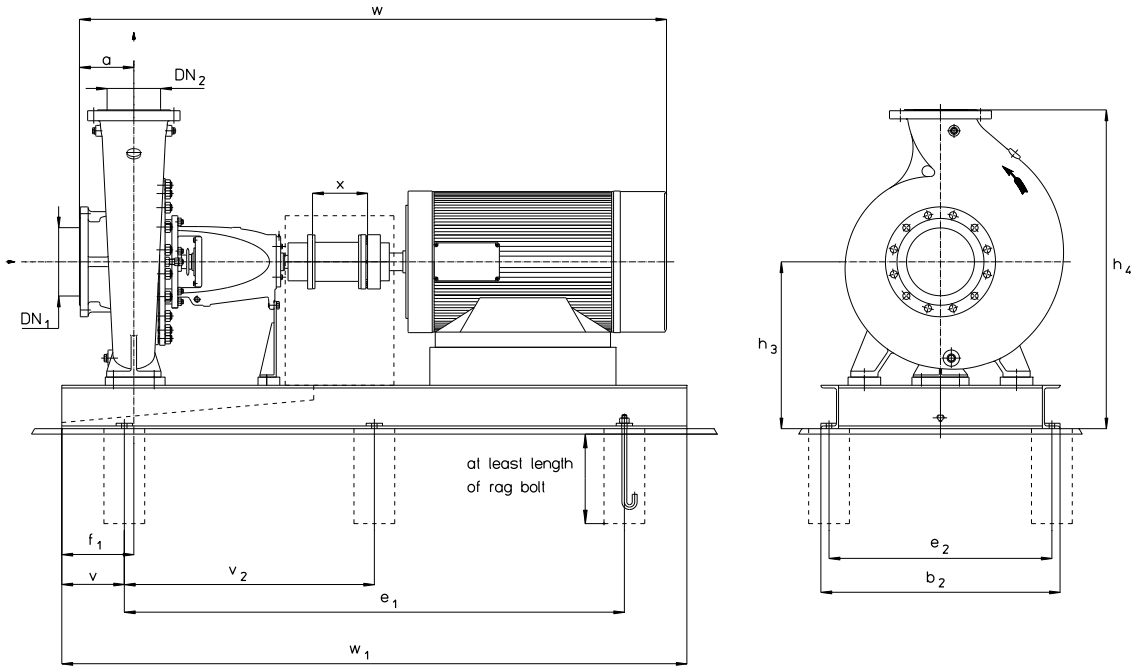


Size	Motor		Base plate No.	Cplg.	Weight kg		DN <sub>2</sub>	DN <sub>1</sub>	a	b <sub>2</sub>	e <sub>1</sub>	e <sub>2</sub>	v	f <sub>1</sub>	h <sub>3</sub>	h <sub>4</sub>	x	w*	w <sub>1</sub>	Rag bolt
	size	kW			pump	unit														
65-200	90S	1.10	S383	H80	45	107	65	80	100	490	600	440	160	75	260	485	140	935	920	M20x400
	90L	1.50																935		
	100L	2.20																976		
	100L	3.00																976		
	112M	4.00																997		
65-250	100L	2.20	S605	H80	70	159	65	80	100	730	740	670	190	90	300	550	140	1086	1120	M24x400
	100L	3.00																1086		
	112M	4.00																1007		
	132S	5.50																1183		
65-315	132S	5.50	S486	H95	92	237	65	80	125	610	840	550	205	90	325	605	140	1208	1250	M24x400
	132M	7.50																1234		
	160M	11.00																1326		
	160L	15.00																1388		
	160L	15.00																1400		
80-160	80	0.75	S383	H80	43	102	65	80	100	490	600	440	160	75	260	485	140	902	920	M20x400
	90S	1.10																960		
	90L	1.50																960		
	100L	2.20																1001		
	100L	3.00																1001		
80-200	90L	1.50	S434	H80	60	126	65	80	100	540	660	490	170	75	280	530	140	1070	1000	M24x400
	100L	2.20																1111		
	100L	3.00																1132		
	112M	4.00																1208		
80-250	132S	5.50	S605	H95	75	172	65	80	100	730	740	670	190	90	300	580	140	1111	1250	M24x400
	100L	3.00																1208		
	112M	4.00																1132		
	132S	5.50																1234		
80-315	100L	3.00	S486	H95	95	198	65	80	125	610	840	550	205	90	350	665	140	1208	1250	M24x400
	112M	4.00																1234		
	132S	5.50																1208		
	132M	7.50																1234		
80-400	132S	5.50	S607	H110	143	293	65	80	125	730	940	670	230	90	380	735	140	1326	1400	M24x400
	160L	15.00																1388		
	160M	11.00																1383		
	160L	15.00																1507		
	180M	18.50																1507		
100-160	100L	2.20	S605	H80	78	168	65	80	125	730	740	670	190	90	300	580	140	1111	1120	M24x400
	100L	3.00																1111		
	112M	4.00																1132		
	132S	5.50																1208		
	100L	2.20																1111		
	100L	3.00																1111		
	112M	4.00																1132		
	132S	5.50																1208		
	132M	7.50																1234		
	132S	5.50																1234		
100-200	100L	2.20	S605	H80	70	159	65	80	125	730	740	670	190	90	300	580	140	1234	1250	M24x400
	100L	3.00																1147		
	112M	4.00																1147		
	132S	5.50																1223		
100-250	112M	4.00	S486	H95	85	214	65	80	125	610	840	550	205	90	325	605	140	1249	1250	M24x400
	132S	5.50																1249		
	132M	7.50																1341		
	160M	11.00																1341		
100-315	160M	11.00	S607	H110	104	282	65	80	140	730	940	670	230	90	350	665	140	1341	1400	M24x400
	160L	15.00																1403		
	180M	18.50																1465		
	180L	22.00																1465		
	180L	22.00																1465		
100-400	160L	15.00	S608	H140	177	417	65	80	140	730	940	670	230	110	380	735	140	1398	1400	M24x400
	180M	18.50																1522		
	180L	22.00																1522		
	200L	30.00																1580		
	225S	37.00																1617		
	225M	45.00																1617		
125-200	132M	7.50	S486	H95	100	257	65	80	140	610	840	550	205	90	350	665	140	1249	1250	M24x400
	160M	11.00																1341		
	160L	15.00																1403		
	132M	7.50																1249		
125-250	160M	11.00	S607	H110	102	280	65	80	140	730	940	670	230	90	350	705	140	1341	1400	M24x400
	160L	15.00																1403		
	160L	15.00																1398		
	180M	18.50																1522		
125-315	180L	22.00	S608	H140	151	475	65	80	140	730	940	670	230	110	380	735	140	1522	1600	M24x400
	200L	30.00																1580		
	225S	37.00																1617		
	225S	37.00																1617		
	200L	30.00																1580		
125-400	225M	45.00	S608	H140	188	564	65	80	140	730	940	670	230	110	415	815	140	1617	1600	M24x400
	225M	45.00																1617		
	250M	55.00																1740		
	280S	75.00																1815		
	280S	75.00																1815		
150-200	132M	7.50	S606	H95	123	296	65	80	160	730	840	670	205	110	380	780	140	1269	1250	M24x400
	160M	11.00																1361		
	160L	15.00																1423		
	180M	18.50																1485		

Size	Motor		Base plate No.	Cplg.	Weight kg		DN <sub>2</sub>	DN <sub>1</sub>	a	b <sub>2</sub>	e <sub>1</sub>	e <sub>2</sub>	v	f <sub>1</sub>	h <sub>3</sub>	h <sub>4</sub>	x	w*	w <sub>1</sub>	Rag bolt
	size	kW			pump	unit														
150-250	160L	15.00	S607	H110	128	354	150	200	160	730	940	670	230	110	380	780	140	1423	1400	M24x400
	180M	18.50				374												1485		
	180L	22.00				391												1485		
	200L	30.00				454												1543		
150-315	180L	22.00	S608	H110	170	446	160	730	1060	670	270	110	380	780	140	1542	1600	1600	M24x400	
	200L	30.00				495										1600				
	225S	37.00				546										1637				
	225M	45.00				567										1637				
	250M	55.00				798										1760				
150-400	225M	45.00	S608	H140	205	603	160	730	1060	670	270	110	380	780	140	1637	1600	1600	M24x400	
	250M	55.00				835										1760				
	160L	15.00				492										1518				
200-250	160L	15.00	S608	H110	230	492	200	200	160	730	940	670	230	110	380	780	140	1518	1600	M24x400
	180M	18.50				512												1642		
	180L	22.00				527												1642		
	200L	30.00				576												1700		

\* Motor protection type IP 55, dimensions depend on the motor manufacturer.  
Dimensions listed are taken from the SIEMENS catalogue.

**Foundation plan for units with spacer type coupling, bearing brackets 55 and 65**



Dimensions in mm

Tolerances for welded parts acc. to DIN 8570 B

n = 1450 rpm

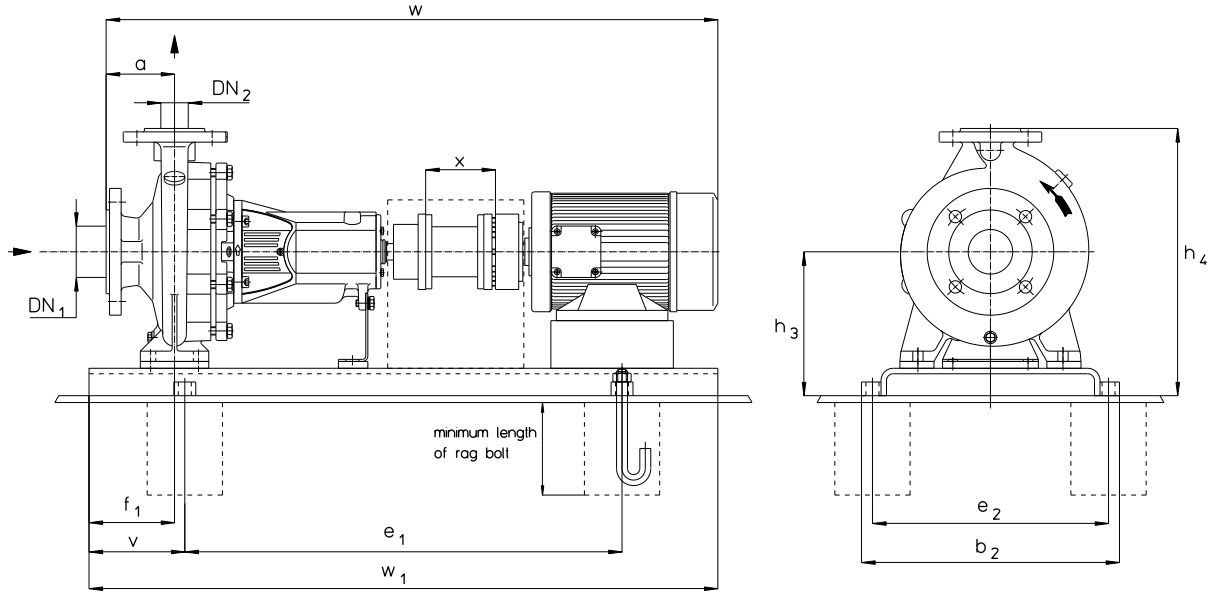
Size	Motor		Base plate dimension	Cplg.	Weight kg		DN <sub>2</sub>	DN <sub>1</sub>	a	b <sub>2</sub>	v	e <sub>1</sub>	e <sub>2</sub>	v <sub>2</sub>	f <sub>1</sub>	h <sub>3</sub>	h <sub>4</sub>	x	w*	w <sub>1</sub>	Rag bolt																		
	size	kW			pump	unit																																	
150400 <sup>(1)</sup>	280S	75.0	194x73x14	H180	205	1072																																	
	280M	90.0																				1125																	
150-500	250M	55.0	208x82x14	H160	335	961	150	200	160	730	190	1560	680	780	200	485	935	140																					
	280S	75.0	215x82x14	H180																		1143	820	210	1660	830	240	570	1070										
	280M	90.0																																					1193
	315S	110	230x83x16	H200																		1406	830	230	1840	920													
	315M	132																																					1486
200-315	200L	30.0	194x73x14	H125	310	715			200	730	190	1560	680	780																									
	225S	37.0	198x73x14	H140																			780	210	1600	800	260	525	975										
	225M	45.0																																					
	250M	55.0	921	740																			210	1750	690	875													
	280S	75.0	1102																																				
200-400	225M	45.0	198x73x14	H140	340	840			200	730	190	1600	680	800																									
	250M	55.0	210x73x14	H160																			951	210	1680	840	260	1025											
	280S	75.0																																					1132
	280M	90.0	1182	820																			230	1840	760	920													
	315S	110	1409																																				
200-500	315M	132	230x82x16	H200	1489				200	820	230	1840	760	920																									
	280S	75.0																				1212	217x84x14	H180	1262	840	210	1750	875										
	280M	90.0	1474	246x85x16	H200	1554	850	250	1960	980	265	615	1175																										
	315M	132	1709																	790	980	265	615	1175															
	315L	200	1849																																				
250-300	225S	37	207x88x14	H140	416	898			250	305	880	210	1650	830	825	365	595	1145																					
	225M	45																				928	210	1770	885	310	545	1105											
	250M	55	1044	230																		1800											900						
	280S	75	1225																																				
250-315	225M	45	203x80x14	H140	424	936			250	800	210	1610	750	805	310	545	1105																						
	250M	55	215x80x14	H160																		1052	210	1730	865														
	280S	75																																			1233	230	1760
	280M	90	1283	820																		230	1910	760	955	315	565	1125											
	315S	110	1496																																				

\* Motor protection type IP 55, dimensions depend on the motor manufacturer.  
 Dimensions listed are taken from the SIEMENS, WEG, LEROY SOMER and ABB catalogues.  
 (1) Size 150400: bearing bracket 45.

Size	Motor		Base plate dimension	Cplg.	Weight kg		DN <sub>2</sub>	DN <sub>1</sub>	a	b <sub>2</sub>	v	e <sub>1</sub>	e <sub>2</sub>	v <sub>2</sub>	f <sub>1</sub>	h <sub>3</sub>	h <sub>4</sub>	x	w*	w <sub>1</sub>	Rag bolt											
	size	kW			pump	unit																										
250-400	225M	45	208x88x14	H140	464	991	250	300	250	880	210	1660	830	310	570	1170	180	1957	2080	2200	M16x200											
	250M	55	220x88x14	H160		1103					230	1740										870										
	280S	75	227x88x14	H180		1284					230	1810										905	2155									
	280M	90				1334					230													2155								
	315S	110				1552					250																					
	315M	132	256x89x16	H200		1632					890	2060										1030	1030	315	590	1190	180	2290	2560	M18x200		
	315L	160				1787																									250	2290
315S	110	1703			250																											
250-500	315M	132	256x94x16	H200	589	1780	300	350	940	250	2060	880	1030	315	640	1310	180	2290	2560	M18x200												
	315L	160																			1933	250	2290									
	315L	200																			2068	250		2430								
	315	250																			**	**	**		**	**	**	**	**	**	**	**
	315	315	**	**	**	**	**	**	**	**	**	**	**	**	**	**	**	**	**	**	**											
300-400	280M	90	232x94x14	H180	620	1515	300	350	300	940	230	1860	890	1035	365	615	1285	180	2205	2320	M16x200											
	315S	110	261x95x16	H200		1733					950	2070										970	930	360	595	1265	180	2340	2610	M18x200		
	315M	132				1810																									270	2340
	315L	160				1968																									270	
	315L	200				2103																									270	2480
300-500	315L	200	261x103x16	H200	800	2313	**	**	**	**	**	**	**	**	**	**	**	**	**	**	**											
	315	250	**	**	**	**	**	**	**	**	**	**	**	**	**	**	**	**	**	**												
	315	315																			2340	2480										
	355	355																			2480		2480									
	355	400																			2480	2480										
	355	500																			2480		2480									

\* Motor protection type IP 55, dimensions depend on the motor manufacturer.  
Dimensions listed are taken from the SIEMENS, WEG, LEROY SOMER and ABB catalogues.  
\*\* On request.

# Foundation plan for units with spacer type coupling, bearing brackets 25, 35 and 45



Dimensions in mm

Tolerances for welded parts acc. to DIN 8570 B

n = 2900 rpm

Size	Motor		Base plate No.	Cplg.	Weight kg		DN <sub>2</sub>	DN <sub>1</sub>	a	b <sub>2</sub>	e <sub>1</sub>	e <sub>2</sub>	v	f <sub>1</sub>	h <sub>3</sub>	h <sub>4</sub>	x	w*	w <sub>1</sub>	Rag bolt	
	size	kW			pump	unit															
32-125	71	0.55	S272	H80	31	70	32	50	80	360	540	320	140	60	177	317	100	823	820	M16x200	
	80	0.75				71												857			
	80	1.10				73												857			
	90S	1.50				76												915			
	90L	2.20				79												915			
32-160	90S	1.50	S385	H80	33	81	32	50	80	490	740	440	200	60	212	372	100	915	1140	M20x400	
	90L	2.20				81												915			
	100L	3.00				89												956			
32-200	112M	4.00	S385	H80	34	96	32	50	80	490	740	440	200	60	240	420	100	977	1140	M20x400	
	90L	2.20				82												915			
	100L	3.00				90												956			
	112M	4.00				97												977			
	132S	5.50				121												1053			
32-250	132S	7.50	S385	H95	46	131	32	50	100	490	740	440	200	60	240	420	100	1053	1140	M20x400	
	132S	7.50				131												1053			
	160M	11.0				152												1073			
32-250	160M	11.0	S385	H95	46	164	32	50	100	490	740	440	200	60	260	485	100	1191	1140	M20x400	
	160M	15.0				177												1191			
40-125	80	1.10	S385	H80	28	70	40	65	80	360	540	320	140	60	177	317	100	823	820	M16x200	
	90S	1.50				71												857			
	90L	2.20				73												857			
40-160	100L	3.00	S605	H80	30	84	40	65	80	360	540	320	140	60	177	317	100	857	820	M16x200	
	90S	1.50				76												915			
	90L	2.20				78												915			
40-200	100L	3.00	S385	H80	30	86	40	65	80	360	540	320	140	60	177	317	100	857	820	M16x200	
	112M	4.00				84												857			
	132S	5.50				84												857			
	100L	3.00				86												915			
	112M	4.00				93												956			
40-250	132S	5.50	S605	H95	36	116	40	65	100	360	540	320	140	60	177	317	100	977	1140	M20x400	
	160M	11.00				101												915			
	132S	7.50				106												956			
40-250	160M	11.00	S385	H95	46	123	40	65	100	360	540	320	140	60	177	317	100	977	1140	M20x400	
	160M	15.00				133												1053			
	160L	18.50				164												1073			
	160L	18.50				152												1073			
	160L	18.50				207												1191			
50-125	90S	1.50	S015	H80	30	75	50	65	100	361	600	325	160	60	182	342	100	935	920	M12x100	
	90L	2.20				78												935			
	132S	5.50				116												1073			
50-160	90L	2.20	S434	H95	30	116	50	65	100	361	600	325	160	60	182	342	100	935	920	M12x100	
	100L	3.00				93												935			
	112M	4.00				101												1073			
	50-160	132S	5.50	S303	H80	36	108	50	65	100	390	600	350	160	60	225	405	100	935	920	M14x200
		132S	5.50				123												1073		
		132S	7.50				133												1073		
		160M	11.00				164												1191		
50-160	160M	11.00	S605	H95	46	193	50	65	100	390	600	350	160	60	225	405	100	935	920	M14x200	
	160M	15.00				207												935			
	160L	18.50				225												935			
	160L	18.50				490												1073			
	160L	18.50				440												1073			

\* Motor protection type IP 55, dimensions depend on the motor manufacturer. Dimensions listed are taken from the SIEMENS catalogue.

Size	Motor		Base plate No.	Cplg.	Weight kg		DN <sub>2</sub>	DN <sub>1</sub>	a	b <sub>2</sub>	e <sub>1</sub>	e <sub>2</sub>	v	f <sub>1</sub>	h <sub>3</sub>	h <sub>4</sub>	x	w*	W <sub>1</sub>	Rag bolt				
	size	kW			pump	unit																		
50-200	100L	3.00	S303	H80	40	105	50	65	100	390	600	350	160	60	225	425	100	976	920	M16 x200				
	112M	4.00				112												997	1000		M20 x400			
	132S	5.50	S434	H95		127												1073						
	132S	7.50				137												1073						
	160M	11.00	168	1191		1120												M24x400						
160M	15.00	S605	H95	182	1191																			
160M	15.00			211	1191	1140	M20x400																	
50-250	160L	18.50	S385	H110	50			229	65	80	100	490	840	550	200	75	280	485	1253	1140	M20x400			
	180M	22.00	S486					250														1315	1250	M24 x400
	200L	30.00	S605					H125														281		
	160M	11.00																				192	1191	1120
160M	15.00	206	1191																					
160L	18.50	S385	H110	45	224	65	80	100	730	740	670	190	75	280	505	1253	1140	M20x400						
180M	22.00	S486			240														1315	1250	M24 x400			
200L	30.00	S607			H125														300			1373		
160L	18.50																		H95	264	1363	1400	M24x400	
180M	22.00	S607	H110	70	280	65	80	100	730	940	670	230	90	300	550	1425	1400	M24x400						
200L	30.00				389														1483					
200L	37.00	S608	H125	70	335	65	80	100	730	1060	670	270	90	325	575	1513	1600	M24x400						
225M	45.00				414														1483					
80-160	132S	7.50	S605	H95	43	149	80	100	125	730	740	670	190	75	280	505	140	1098	1120	M24x400				
	160M	11.00				190												1216	1140	M20 x400				
	160M	15.00	S385			204												1216						
	160L	18.50	S486			H110												222	1278					
180M	22.00	237		1340																				
80-200	160M	15.00	S486	H95	60	227	80	100	125	610	840	550	205	75	280	530	140	1326	1250	M24x400				
	160L	18.50				253												1388	1270	M20x400				
	180M	22.00	S436			H110												269			1450			
	200L	30.00	S607			H125												324	1508					
200L	37.00	348		1508																				
80-250	180M	22.00	S607	H110	75	295	80	100	125	730	940	670	230	90	300	580	140	1450	1400	M24x400				
	200L	30.00				H125												350	1508					
	200L	37.00	S608	H125		374												1508						
	225M	45.00				H125												450	1538	1600				
	250M	55.00	H140	655		1668																		
100-160	160L	18.50	S607	H95	78	272	100	125	125	730	940	670	230	90	300	580	140	1388	1400	M24x400				
	180M	22.00				H110												288			1450			
	200L	30.00				H125												343			1508			
	200L	37.00				367												1508						
100-200	160L	18.50	S607	H95	70	264	100	125	125	730	940	670	230	90	325	605	140	1388	1400	M24x400				
	180M	22.00				H110												280			1450			
	200L	30.00				H125												335			1508			
	200L	37.00																359			1508			
	225M	45.00				S608												445			1538	1600		
100-250	200L	30.00	S607	H110	85	350	100	140	140	744	1200	696	300	90	350	630	140	1523	1400	M24 x400				
	200L	37.00				374												1523						
	225M	45.00	S608	H140		461												1553	1600					
	250M	55.00	666	1683																				
	280S	75.00	S609A	H160		850												1783	1800					
280M	90.00	892	1783																					
125-200	250M	55.00	S608	H140	100	682	125	150	140	730	1060	670	270	90	350	665	140	1683	1600	M24 x400				
	280S	75.00	S609A			H160												865	1783					
	280M	90.00	907			1783																		

\* Motor protection type IP 55, dimensions depend on the motor manufacturer.  
Dimensions listed are taken from the SIEMENS catalogue.

Data regarding size - order information

Type	Size	Hydraulic + Bearing	Shaft Seal	Material	Casing Gasket
		<ul style="list-style-type: none"> <li>A• First hydraulic</li> <li>B• Second hydraulic</li> <li>D• Double volute</li> <li>•B Two ball bearings greased for life (2Z)</li> <li>•C Two ball bearings oil lubricated</li> <li>•S One double row angular contact bearing plus one ball bearing, grease lubricated</li> <li>•T One double row ball bearing plus ball bearing, oil lubricated</li> </ul>	041: Self-sealed, uncooled packing rings 052: Uncooled packing rings, external seal liquid B27: Unbalanced bellows mechanical seal, seal face materials WC/Carbon, elastomer EPDM AF3: Balanced mechanical seal, seal face materials SiC/Carbon, elastomer EPDM BJ3: Unbalanced bellows mechanical seal, seal face materials SiC/Carbon, elastomer EPDM C23: Unbalanced bellows mechanical seal, seal face materials SiC/Carbon, elastomer EPDM AFS: Balanced mechanical seal, seal face materials SiC/ SiC, elastomer FPM (Viton) BJS: Unbalanced bellows mechanical seal, seal face materials SiC/ SiC, elastomer FPM (Viton) C2S: Unbalanced bellows mechanical seal, seal face materials SiC/ SiC, elastomer FPM (Viton) AFK: Balanced mechanical seal, seal face materials SiC/carbon, elastomer FPM (Viton) double PTFE (Teflon) wrapped AFJ: Balanced mechanical seal, seal face materials SiC/carbon, elastomer FPM (Viton) BJJ: Unbalanced bellows mechanical seal, seal face materials SiC/Carbon, elastomer FPM (Viton) C2J: Unbalanced bellows mechanical seal, seal face materials SiC/Carbon, elastomer FPM (Viton) AX3,AXS,AXK: AF3,AFS,AFK plus quench AY3,AYS,AYK: AF3,AFS,AFK, plus heating A93,A9S,A9K,A9J: AF3,AFS,AFK,AFJ plus external flushing M1S: Tandem mechanical seal, type GNZ, seal face materials SiC / SiC, elastomer FPM (Viton) N1S: Tandem mechanical seal, type M7N, seal face materials SiC / SiC, elastomer FPM (Viton) NFS: Back to back seal, type M7N, seal face materials SiC / SiC, elastomer FPM (Viton)	0B: Cast iron GG25  0C: Cast iron GG25 Bronze G-CuSn10 impeller  0E: Cast iron GG25 stainless steel 1.4408 impeller  1B: Ductile cast iron GGG 40.3 Cast iron GG25 impeller  4B: Stainless steel 1.4408	2: Confined flat gasket of EWP 210 material  4: Confined flat gasket of PTFE.
ZLND	32125	AB, AC	Alternatively  041,052,B27(*),BJ3,C23,AF3,AX3,AY3,A93,BJS,C2S,AFS,AXS,AYS,A9S,BJJ,C2J,AFJ,A9J,M1S, N1S, NFS  (*) only configuration valid for hot water up to 140°C	Alternatively  0B, 0C, 0E, 1B, 4B	Alternatively  2 or 4
	32160	AB, AC, BB,BC			
	32200	AB, AC, BB, BC			
	32250				
	40125				
	40160				
	40200				
	40250				
	40315				
	50125				
	50160				
	50200				
	50250				
	50315				
	65125				
	65160				
	65200				
	65250				
	65315				
	80160				
	80200				
	80250	AB, AC			
	80315				
	80400				
	100160				
	100200				
	100250				
	100315				
	100400				
	125200				
	125250				
	125315				
125400					
150200					
150250					
150315					
150400					
200250	AB, AC				
150500	AS, AT				
200315	AS, AT				
200400					
200500	DS, DT				
250300					
250315	AS, AT				
250400					
250500	DS, DT				
300400					
300500					
		Alternatively	041, 052, BJ3, C23, AF3, AX3, AY3, A93, BJS, C2S, AFS, AXS, AYS, A9S, BJJ, C2J, AFK, AXK, AYK, A9K,		

Designs are subject to amendment without prior notice.

**Sterling SIHI (Spain), S.A.**

Vereda de los Zapateros s/n, Pozuelo de Alarcón 28223 Madrid, Spain.  
Telephone +34 91 709 1310 Telefax +34 91 715 9700. E-mail [sihi@sihi.es](mailto:sihi@sihi.es)