



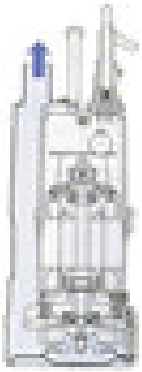
KTZE 3-phase 50Hz

Heavy duty dewatering pump - equipped with electrode auto control system
- for professional use

Generally applicable high grade pump that can be used efficiently in draining in civil engineering. Maximum water depth 25m. Incorporating on the job requirements in the initial product design, Tsurumi has built a powerful new series of pumps to match the demands of tough drainage jobs.



Top Discharge



Pumped water cools the motor and discharges as illustrated. The motor can be cooled even when pumping a small amount of water. The top discharge arrangement allows access into areas with space limitations.

Rugged

By offering a cast iron pump body, our durability is increased over standard aluminium body pumps. With each motor size there is a choice between high head and high volume performance ranges.

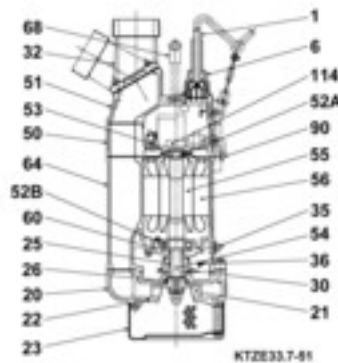
Electrode auto control system



The KTZE-type is equipped with a new electrode type control system. This prevents unnecessary dry operation, which makes it ideal for work environments where noise must be prevented, for example, in night operation in residential areas. Pump operating is started when the water level rises and contacts the electrode. When the water-electrode contact is lost the timer starts operating and after one minute pump operation is stopped

Components:

001 Cable	051 Head cover
006 Cable entrance	052A Upper bearing
020 Pump casing	052B Lower bearing
021 Impeller	053 Motor protector
022 Suction plate	054 Shaft
023 Strainer	055 Rotor
025 Mechanical seal	056 Stator
026 Oil sealing	060 Bearing housing
030 Oil lifter	064 Motor casing
032. Outlet	068 Handle
035 Oil plug	090. Electrode
036 Lubricant	114 Relay
050 Motor cover	

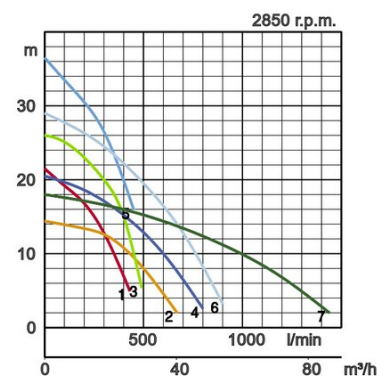


Specifications:

Model	Colour code curve	Bore mm	Motor output kW	Rated current A	Head max. m	Capacity max. l/min	Dry weight kg w/o cable	Max. solid handling ø mm	Pressure resistance max. m	Cable length m
KTZE21.5	1	50	1,5	3,5	21,5	430	40,0	8,5	25	20
KTZE31.5	2	80	1,5	3,5	14,4	670	39,0	8,5	25	20
KTZE22.2	3	50	2,2	5,0	26,0	500	42,0	8,5	25	20
KTZE32.2	4	80	2,2	5,0	20,4	800	41,0	8,5	25	20
KTZE23.7	5	50	3,7	7,7	36,5	450	71,0	8,5	25	20
KTZE33.7	6	80	3,7	7,7	29,0	900	71,0	8,5	25	20
KTZE43.7	7	100	3,7	7,7	18,0	1440	71,0	8,5	25	20

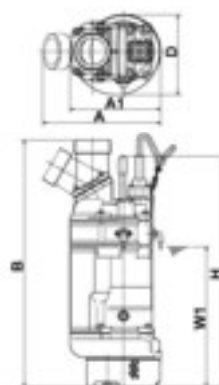


ø Discharge bore mm		50, 80, 100	
Pumping Fluid	Temperature	0-40°C	
	Type of Fluid	Spring water, Rain water, Ground water, Sand carrying water	
Pump	Components	Impeller	Semi-open type impeller
		Shaft Seal	Double mechanical seal
		Bearings	Shielded ball bearings
	Material	Impeller	Chromium iron casting
		Casing	Grey iron casting EN-GJL-200
		Suction Plate	Ductile iron casting EN-GJS-500-7
Shaft Seal	Silicon carbide in oil bath		
Motor	Type, Poles		Induction motor, 2 poles, IP68
	Lubrication		Turbine oil (ISO VG32)
	Insulation		Insulation class F
	Phase / Voltage		3-phase / 400V / 50Hz / d.o.l.
	Motor Protector (built-in)		Circle thermal cut-out
	Material	Casing	Grey iron casting EN-GJL-200
Shaft		Stainless steel EN-X30Cr13	
Cable		Rubber, NSSHÖU	
Discharge Connection		Threaded flange/Hose coupling	



Dimensions in mm:

Model	A	A1	B	D	H	W1
KTZE21.5	261	235	609	216	728	345
KTZE31.5	268	235	609	216	728	345
KTZE22.2	261	235	629	216	748	355
KTZE32.2	268	235	629	216	748	355
KTZE23.7	338	283	747	252	717	435
KTZE33.7	353	283	757	252	717	435
KTZE43.7	368	283	767	252	717	435



W1: lowest running water level

In the event of abrasive and corrosive utilization, stronger wear and tear will take place naturally in certain components. In this regard, please pay attention to our website www.tsurumi.eu/english/applications.htm.



Contributing to World-wide Prosperity and Understanding through Worker- and Environment-friendly Production.

Designed for increased productivity through fully integrated streamlined production systems, Tsurumi's factory in Kyoto (Japan) features a production capacity of a full 1 million pumps per year. Large-scale modern R&D facilities offer optimum conditions for experimenting and testing of even super-large pumps and for developing new products to expand the possibilities and applications of pumps. To provide optimum conditions for our main asset, our workers, as well as for the environment, special emphasis is placed on optimized working conditions with airconditioning, minimized dust and exhaust gas emission, comprehensive recycling and waste recovery.

Tsurumi (Europe) GmbH

Wahlerstr. 10
D-40472 Düsseldorf
Tel.: +49 (0)211-4179373
Fax: +49 (0)211-417937-480
Email: sales@tsurumi.eu
www.tsurumi.eu

We reserve the right to change specifications and designs herein for improvement without prior notice. Our pumps are for professional use only. In the event that Tsurumi (Europe) GmbH have, in exceptional cases taken over, a manufacturer's warranty, this entitles the enduser to assert remedy free of charge against Tsurumi (Europe) GmbH due to any defect to the product occurring during the guarantee period (see below), also then when the warranty claims against the seller do not or no longer exist. In the event of malfunction, which is attributable to the improper handling by the enduser, no guarantee claim shall arise. Further claims shall not result from the warranty, unless if something to the contrary has explicitly been determined. The decision as to whether remedy is effected by way of replacement or repair shall be at the choice of Tsurumi (Europe) GmbH. The claims shall be time barred after a period of three months after expiry of the guarantee period, however, not before expiry of the warranty period which is valid towards the seller. In the event of doubt, the warranty period shall correspond with the warranty period which is valid between the end-user and his seller.



con-KTZE-EN

