



SFQ 3-phase
50Hz

Stainless steel pump

The SFQ pump has been developed exclusively for corrosive liquids. Applying austenitic steel in all wetted parts, the SFQ pump is a highly specialised pump in terms of design and materials.





Vortex Impeller


This impeller is used mainly to avoid clogging or wear by large or stringy solids in the water. It accelerates part of the water to great speed, and this speed is used to smoothly move all the water from inlet to outlet.

Optional Accessories 5,5kW and above:

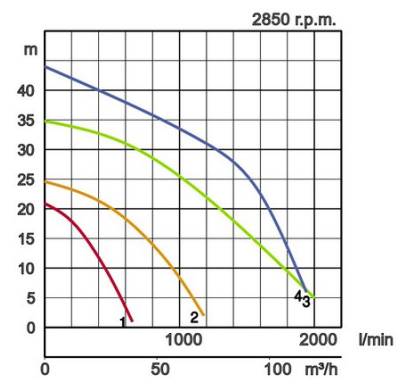
- Guide rail fitting consisting of:
 - Guide support / Guide hook
 - Duck foot bend
 - Lifting chain



Specifications:

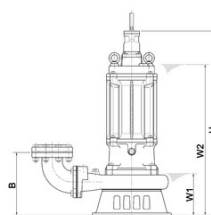
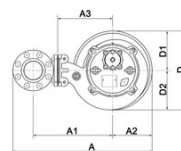
| Model | | Colour code curve | Bore mm | Power output kW | Phases | r.p.m. | Head max. m | Capacity max. l/min | Starting method | Dry weight kg without cable | | Impeller passage mm | |
|---------------|-------------------------|---|---------|-----------------|--------|--------|-------------|---------------------|-----------------|-----------------------------|-------------------------|---------------------|----|
| free standing | with guide rail fitting | | | | | | | | | free standing | with guide rail fitting | | |
| 80SFQ21.5 | - |  | 1 | 80 | 1,5 | 3 | 2850 | 20,9 | 645 | direct | 36,0 | - | 6 |
| 80SFQ23.7 | - |  | 2 | 80 | 3,7 | 3 | 2850 | 24,6 | 1180 | direct | 52,0 | - | 15 |
| 80SFQ27.5 | TOS80SFQ27.5 |  | 3 | 80 | 7,5 | 3 | 2850 | 34,8 | 2000 | direct | 123,0 | 112,0 | 30 |
| 80SFQ211 | TOS80SFQ211 |  | 4 | 80 | 11 | 3 | 2850 | 44,0 | 1940 | star/delta | 143,0 | 132,0 | 30 |

| | | | |
|----------------------|----------------------------|------------------------------------|--|
| ø Discharge bore mm | | 80mm | |
| Pumping Fluid | Type of Fluid | Aggressive sewage | |
| | Temperature | 0-40°C | |
| Pump | Components | Impeller | Open type impeller |
| | | Shaft Seal | Double mechanical seal |
| | | Bearings | Shielded ball bearings |
| | Material | Impeller | Stainless steel casting DIN GX5CrNiMo19-11-2 |
| | | Casing | Stainless steel casting DIN GX5CrNiMo19-11-2 |
| | | Suction Plate | Stainless steel casting DIN GX5CrNiMo19-11-2 |
| | Shaft Seal | Silicon carbide in oil bath | |
| Motor | Type, Poles | | Induction motor, 2 poles, IP68 |
| | Phase / Voltage | | 3-phase / 400V / 50Hz / d.o.l., 3-phase / 400V / 50Hz / s.d. |
| | Insulation | | Insulation class F |
| | Lubrication | | Turbine oil (ISO VG32) |
| | Motor Protector (built-in) | | Circle thermal cut-out |
| | Material | Casing | Stainless steel casting DIN GX5CrNiMo19-11-2 |
| Shaft | | Stainless steel EN-X5CrNiMo17-12-2 | |
| Cable | | Rubber, NSSHÖU | |
| Discharge Connection | | Inside thread, JIS10K flange | |



Dimensions in mm:

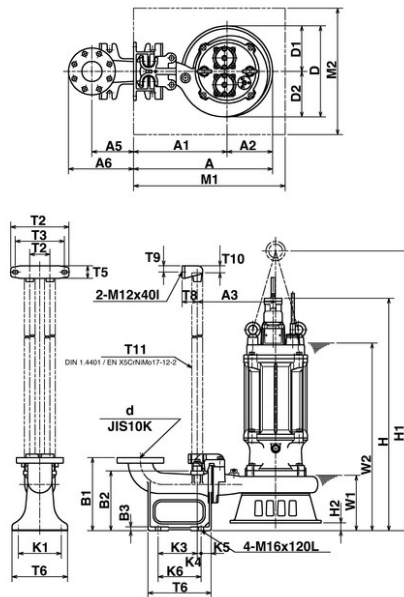
| Model | A | A1 | A2 | A3 | B | D | D1 | D2 | H | W1 | W2 |
|-----------|-----|-----|-----|-----|-----|-----|-----|-----|-----|-----|-----|
| 80SFQ21.5 | 329 | 165 | 110 | - | 109 | 221 | 110 | 111 | 484 | 95 | 415 |
| 80SFQ23.7 | 359 | 180 | 125 | - | 154 | 257 | 125 | 132 | 552 | 130 | 500 |
| 80SFQ27.5 | 635 | 362 | 180 | 250 | 287 | 360 | 180 | 180 | 844 | 190 | 690 |
| 80SFQ211 | 635 | 362 | 180 | 250 | 287 | 360 | 180 | 180 | 892 | 190 | 710 |



W1: lowest running water level

Dimensions - guide rail fitting type in mm:

| Model | A | A1 | A2 | A3 | A5 | A6 | D | D1 | D2 | H | H1 | H2 | M1 | M2 | W1 | W2 |
|-----------|-----|-----|-----|-----|-----|-----|-----|-----|-----|-----|------|----|-----|-----|-----|-----|
| 80SFQ21.5 | - | - | - | - | - | - | - | - | - | - | - | - | - | - | - | - |
| 80SFQ23.7 | - | - | - | - | - | - | - | - | - | - | - | - | - | - | - | - |
| 80SFQ27.5 | 550 | 370 | 180 | 310 | 165 | 258 | 360 | 180 | 180 | 875 | 1067 | 31 | 600 | 500 | 220 | 720 |
| 80SFQ211 | 550 | 370 | 180 | 310 | 165 | 258 | 360 | 180 | 180 | 923 | 1111 | 31 | 600 | 500 | 220 | 745 |



W1: lowest running water level

| Dischcharge bore mmd | T2 | T3 | T4 | T5 | T6 | T7 | T8 | T9 | T10 | T11 | K1 | K3 | K4 | K5 | K6 | B1 | B2 | B3 | |
|----------------------|----|-----|-----|----|----|-----|-----|----|-----|-----|----|-----|-----|----|----|-----|-----|-----|----|
| 80mm | 80 | 230 | 195 | 80 | 50 | 220 | 250 | 60 | 25 | 28 | 32 | 170 | 155 | 15 | 40 | 170 | 290 | 237 | 15 |

Tsurumi (Europe) GmbH

Wahlerstr. 10
 D-40472 Düsseldorf
 Tel.: +49 (0)211-4179373
 Fax: +49 (0)211-417937-480
 Email: sales@tsurumi.eu
 www.tsurumi.eu

We reserve the right to change specifications and designs herein for improvement without prior notice. Our pumps are for professional use only. In the event that Tsurumi (Europe) GmbH have, in exceptional cases taken over, a manufacturer's warranty, this entitles the enduser to assert remedy free of charge against Tsurumi (Europe) GmbH due to any defect to the product occurring during the guarantee period (see below), also then when the warranty claims against the seller do not or no longer exist. In the event of malfunction, which is attributable to the improper handling by the enduser, no guarantee claim shall arise. Further claims shall not result from the warranty, unless if something to the contrary has explicitly been determined. The decision as to whether remedy is effected by way of replacement or repair shall be at the choice of Tsurumi (Europe) GmbH. The claims shall be time barred after a period of three months after expiry of the guarantee period, however, not before expiry of the warranty period which is valid towards the seller. In the event of doubt, the warranty period shall correspond with the warranty period which is valid between the end-user and his seller.

sew-SFO-EN

