

Receiver

From

Company
Reference
Address
Phone
Fax
E-mail

Item n° : 60182213H
Customer pos. no.:

Model : VS 65/150

Pump data

Pressure rating : 1 MPa
Min. fluid temperature : -10 °C
Max. fluid temperature : 85 °C

Minimum suction head :

Temperature : °C
Minimum suction head : m

Requested data

Flow :
Head :
Fluid (%) :
Fluid Temperature : 20 °C
Density : 998,3 kg/m³
Kinematic viscosity : 1,005 mm²/s
Vapor pressure : 0,00 MPa

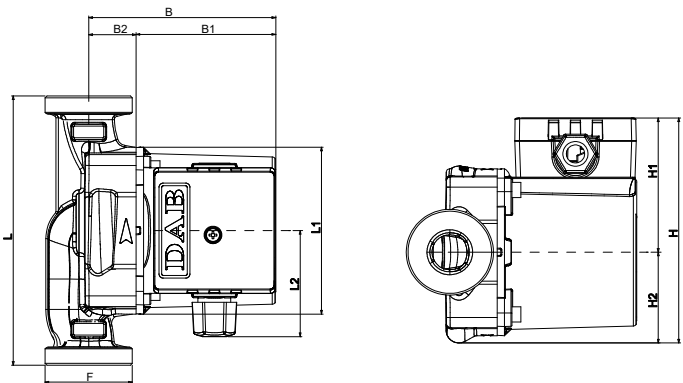
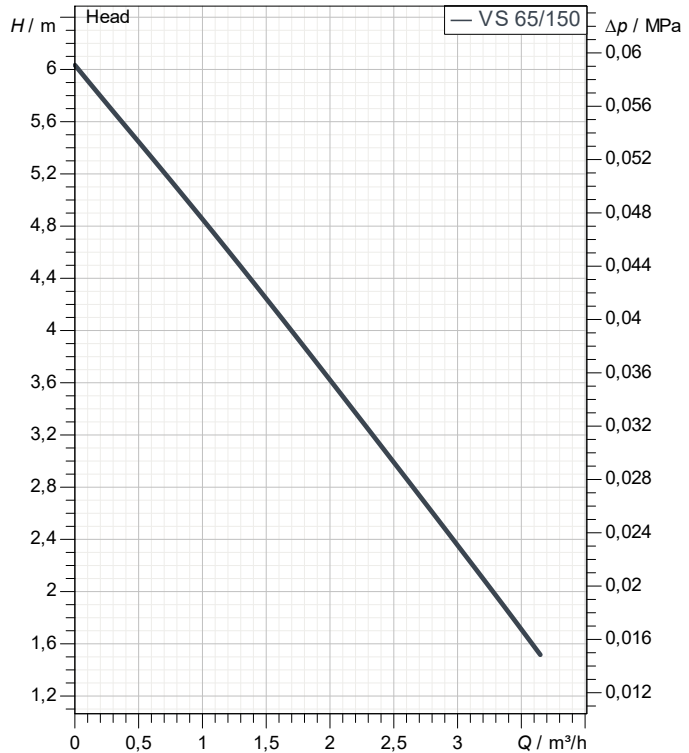
Hydraulic data (duty point)

Flow :
Head :

Materials

Pump body : Bronze
Impeller : Technopolymer
Motor shaft : Ceramic
Air vent plug : Brass
Seal ring : Etylene propylene
Motor casing : Die cast aluminium
Stator jacket : Stainless steel

Curve tolerance according to ISO 9906



Motor data

Motor brand : DAB
Max. Power input P1 : 0,077 kW
Rated speed : 2.317 1/min
Rated voltage : 1~ 230 V 50 Hz
Nominal current : 0,34 A
Degree of protection : IP 44

Dimensions in mm

B	104	H	124	L1	98		
B1	78	H1	75	L2	60		
B2	26	H2	49				
F	1 1/2" (L	150				

Weight : 2,6 kg

Pump connection

Suction side : 1" 1/2 G / 1 MPa
Discharge side : 1" 1/2 G / 1 MPa



WATER • TECHNOLOGY

PERFORMANCE CURVES

2024-06-24

Page 2 / 3

DAB PUMPS S.p.A.
Via Marco Polo, 14 - 35035 Mestrino (PD), Italy
Tel. +39 049 5125000 - Fax +39 049 5125950
www.dabpumps.com

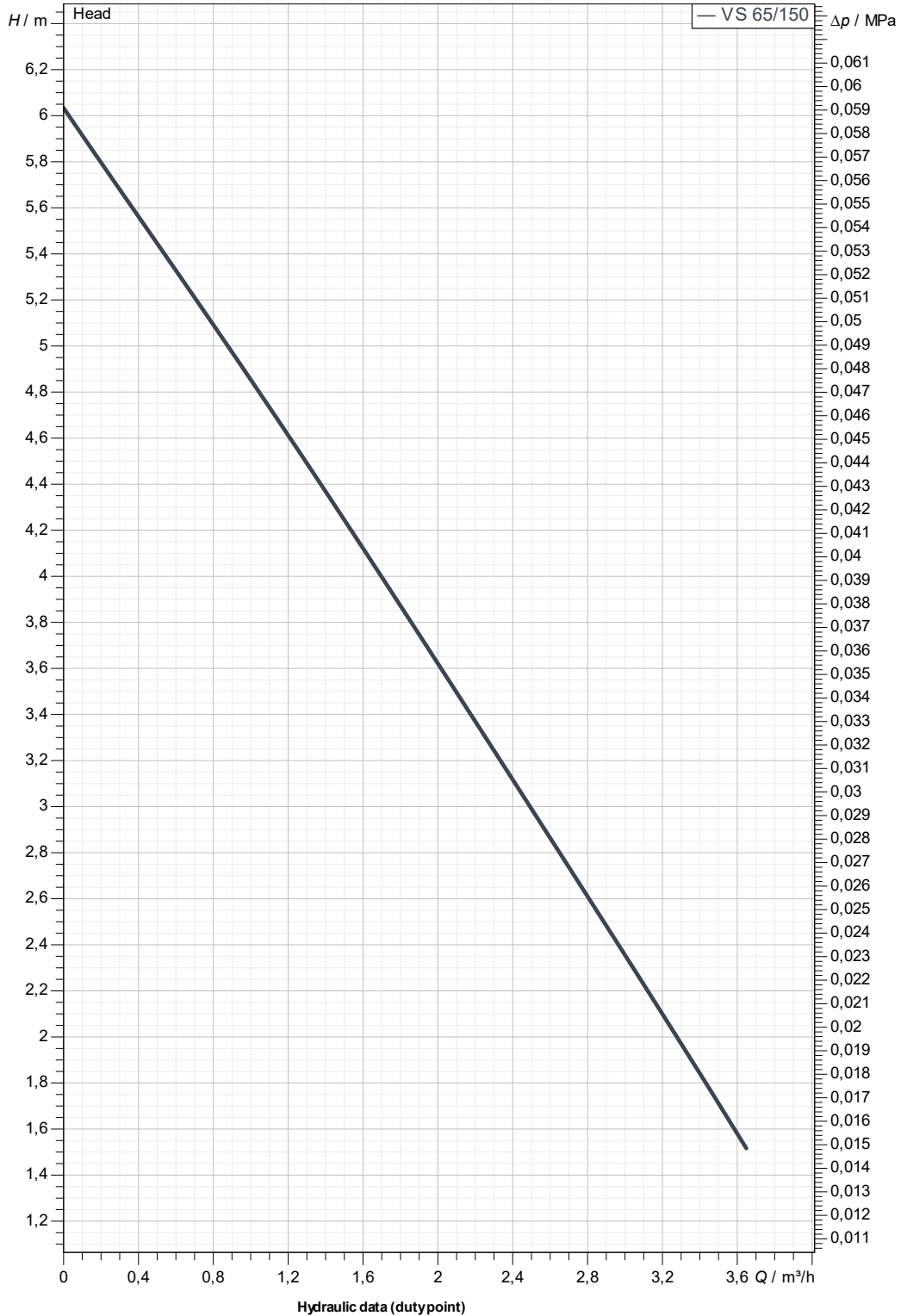
Receiver

From

Company
Reference
Address
Phone
Fax
E-mail

VS 65/150

Curve tolerance according to ISO 9906



Suction side :
1" 1/2 G
1 MPa

Discharge side :
1" 1/2 G
1 MPa

Flow :

Head :

Rated speed :
2.317 1/min

Project

Project ID

Created by

Created on

2024-06-24



DIMENSIONAL DRAWING

2024-06-24

Page 3 / 3

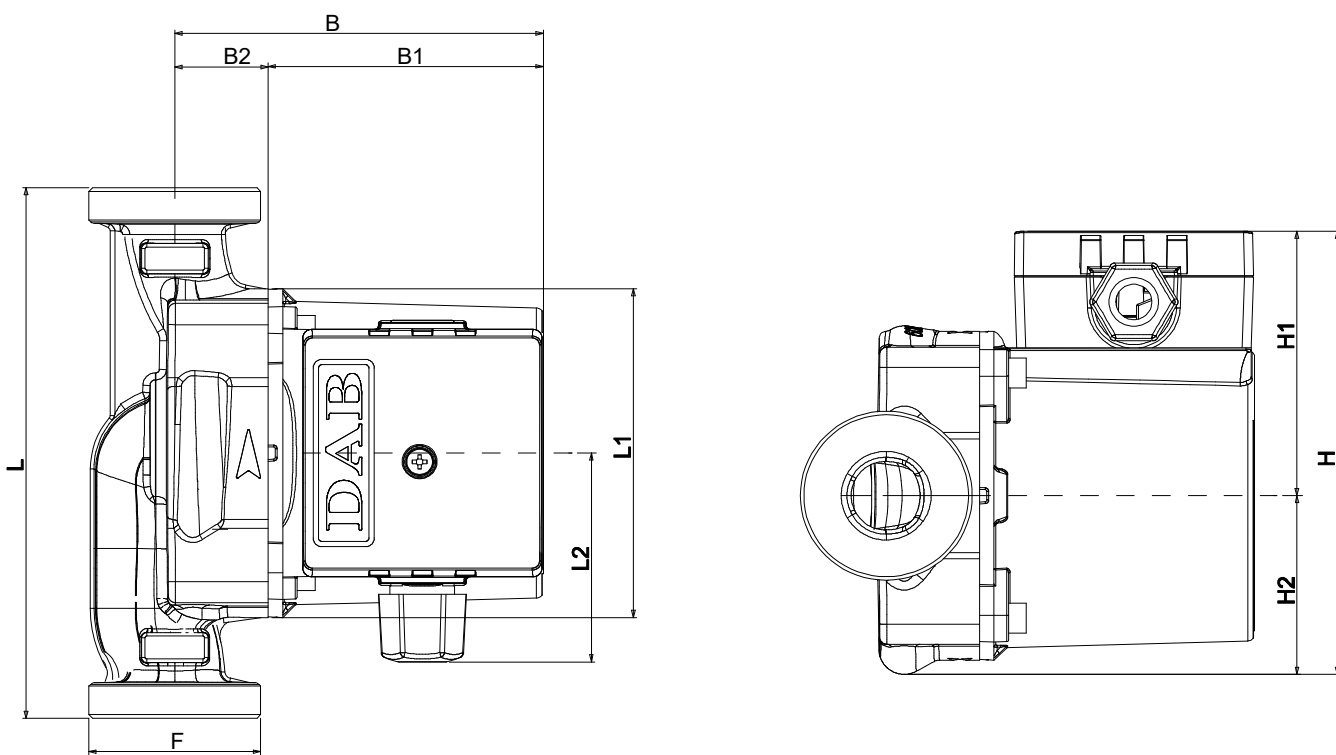
DAB PUMPS S.p.A.
Via Marco Polo, 14 - 35035 Mestrino (PD), Italy
Tel. +39 049 5125000 - Fax +39 049 5125950
www.dabpumps.com

Receiver

From

Company
Reference
Address
Phone
Fax
E-mail

VS 65/150



Dimensions in mm

Pump connection

1	B	104					
2	B1	78					Suction
3	B2	26					1" 1/2 G
4	F	1 1/2" G					1 MPa
5	H	124					Discharge
6	H1	75					1" 1/2 G
7	H2	49					1 MPa
8	L	150					
9	L1	98					
10	L2	60					
11							

Project	Project ID	Created by	Created on 2024-06-24
---------	------------	------------	---------------------------------