

Receiver

From

Company
Reference
Address
Phone
Fax
E-mail

Item n° : 60168124H
Customer pos. no.:

Model :
NOVAIR 200 M-NA 2m cable

Pump data

Pressure rating :
Min. fluid temperature : 0 °C
Max. fluid temperature : 35 °C
Max. Ambient temperature :

Requested data

Flow :
Head :
Fluid : Water
Fluid Temperature : 20 °C
Density : 998,3 kg/m³
Kinematic viscosity : 1,005 mm²/s
Vapor pressure : 0,00234 MPa

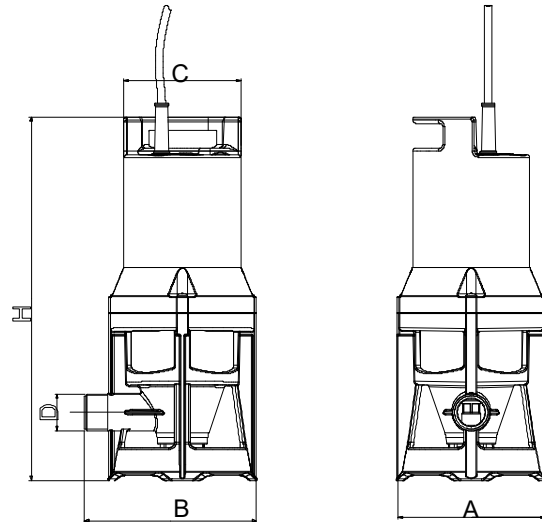
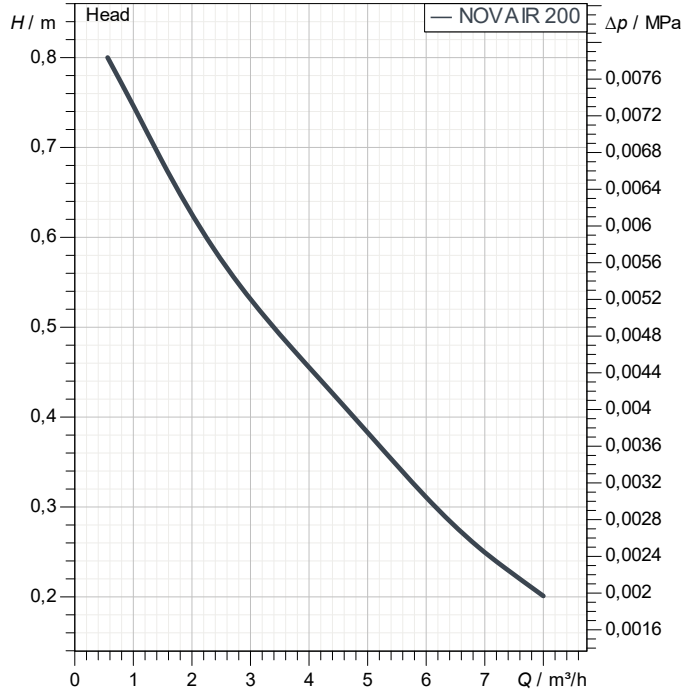
Hydraulic data (duty point)

Flow :
Head :

Materials

Pump body : Technopolymer
Impeller : Technopolymer
O-Ring : NBR 70
Motor shaft : AISI 416
Ceramic bushing : AISI 303 + Ceramic
Motor casing : Stainless Steel (AISI 304)
Radial seal : NBR 70

Curve tolerance according to ISO 9906



Motor data

Motor brand : DAB
Nominal power P2 : 0,18 kW
Rated voltage : 1~ 220-240 V
Nominal current : 1,4 A
Number of poles : 2
Rated speed : 2.850 1/min
Degree of protection : IP 68

Weight : 3,5 kg

Dimensions in mm

Dimension	Value (mm)				
A	130,5				
B	158				
C	Ø 106				
D	1" G				
H	329,5				

Pump connection

Suction side : /
Discharge side : /



WATER • TECHNOLOGY

PERFORMANCE CURVES

2024-07-16

Page 2 / 3

DAB PUMPS S.p.A.
Via Marco Polo, 14 - 35035 Mestrino (PD), Italy
Tel. +39 049 5125000 - Fax +39 049 5125950
www.dabpumps.com

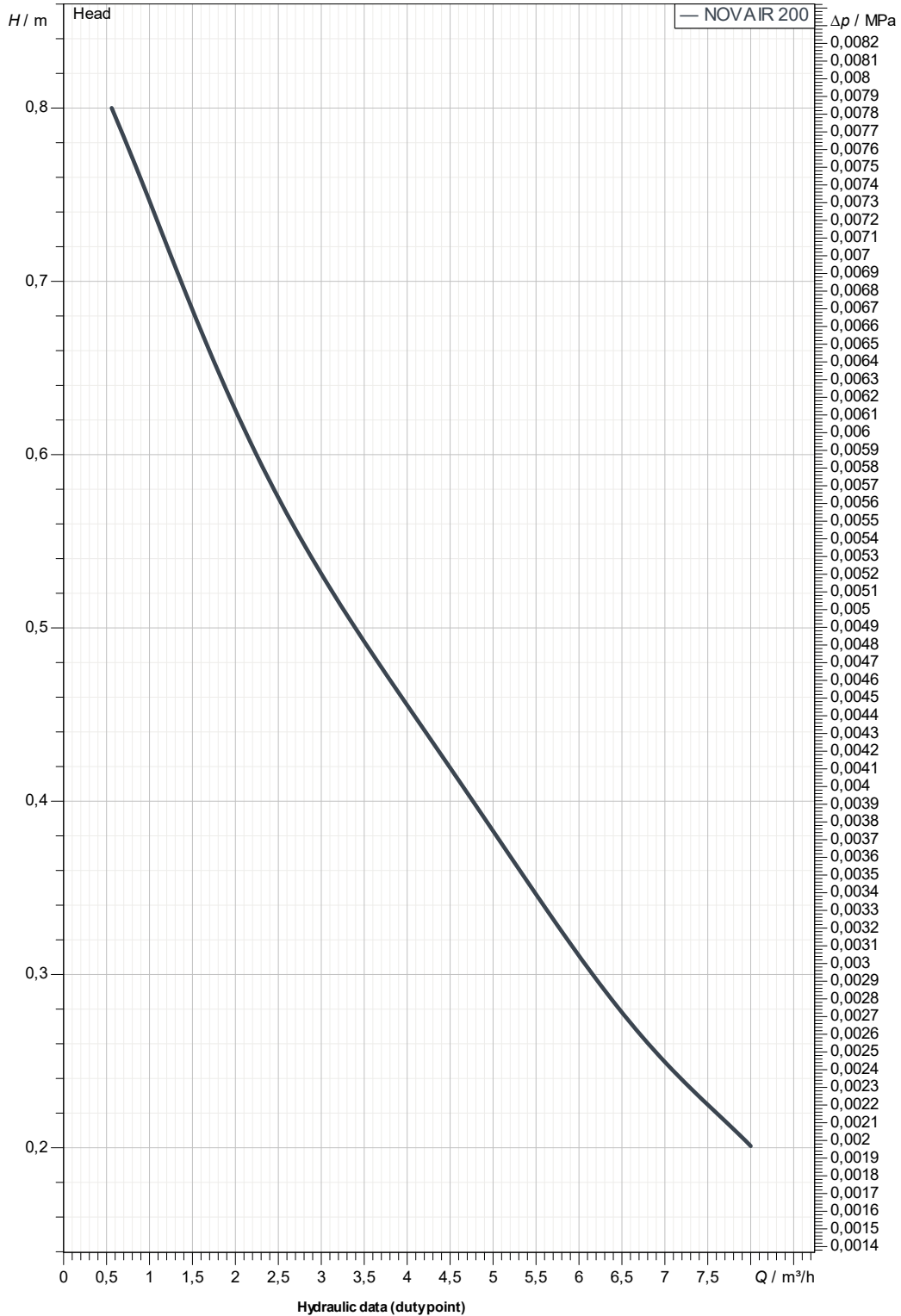
Receiver

From

Company
Reference
Address
Phone
Fax
E-mail

NOVAIR 200 M-NA 2m cable

Curve tolerance according to ISO 9906



Suction side :

Discharge side :

Flow :

Head :

Rated speed :

2.850 1/min

Project

Project ID

Created by

Created on

2024-07-16



DIMENSIONAL DRAWING

2024-07-16

Page 3 / 3

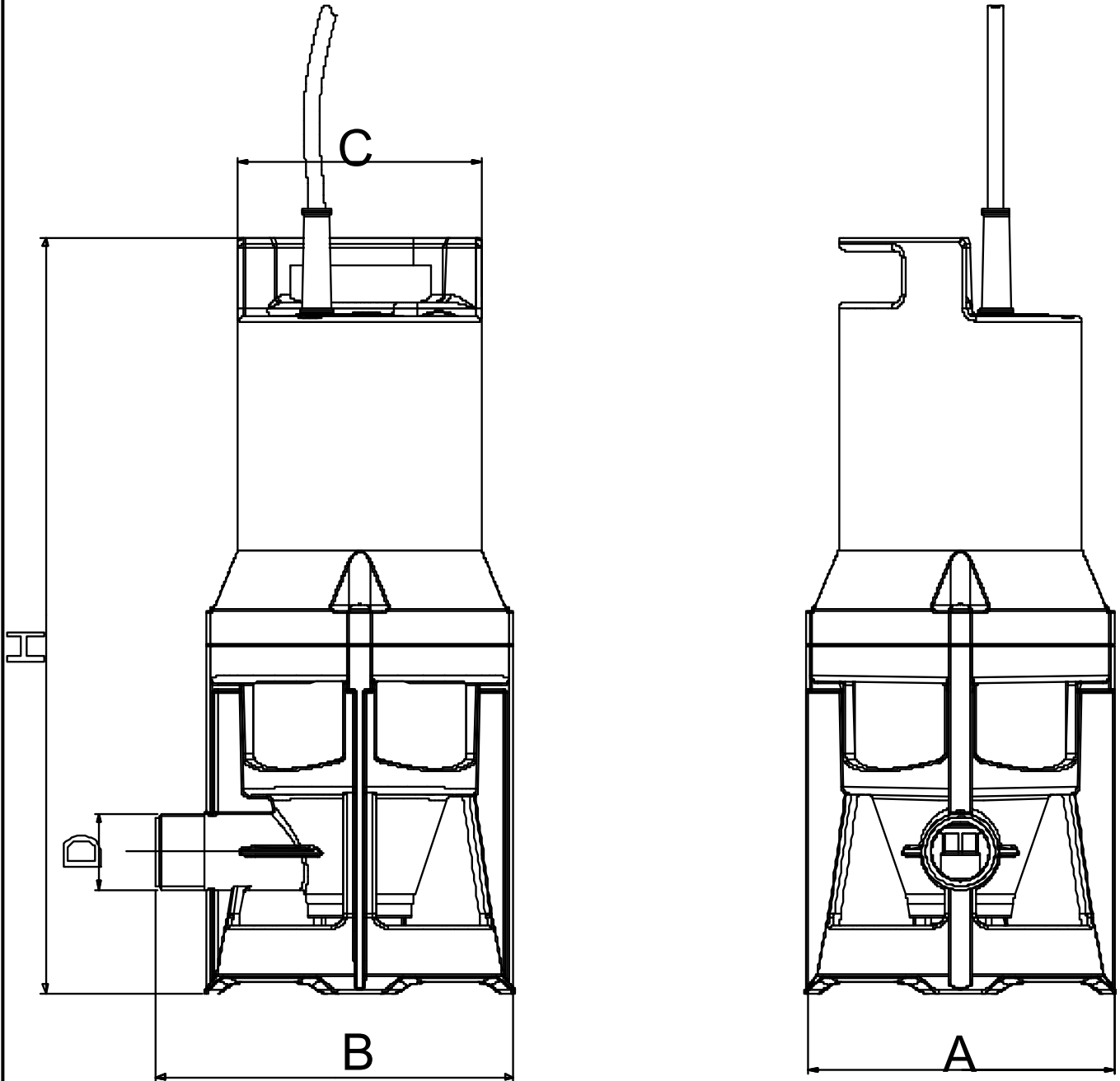
DAB PUMPS S.p.A.
Via Marco Polo, 14 - 35035 Mestrino (PD), Italy
Tel. +39 049 5125000 - Fax +39 049 5125950
www.dabpumps.com

Receiver

From

Company
Reference
Address
Phone
Fax
E-mail

NOVAIR 200 M-NA 2m cable



Dimensions in mm					Pump connection
1	A	130,5			Suction
2	B	158			
3	C	Ø 106			
4	D	1" G			
5	H	329,5			
6					Discharge
7					
8					
9					
10					
11					

Project	Project ID	Created by	Created on 2024-07-16
---------	------------	------------	---------------------------------