



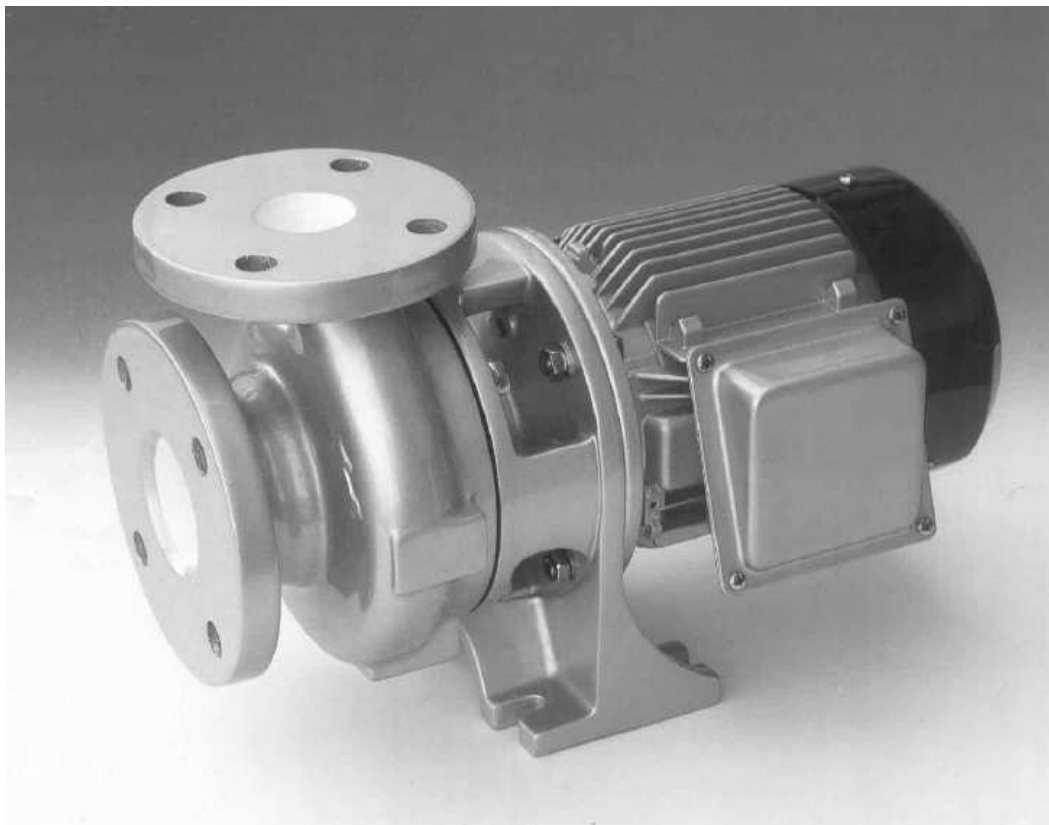
USER INSTRUCTIONS

IDP[®] WB, WJ and WJE

Close coupled end suction pump

PCN= 26999967 10-12 (E). (Based on C939KH001.)
Original instructions.

Installation
Operation
Maintenance



These instructions must be read prior to installing, operating, using and maintaining this equipment.

Experience In Motion

CONTENTS

	Page		Page
1 INTRODUCTION AND SAFETY.....	4	6 MAINTENANCE	16
1.1 General	4	6.1 General	16
1.2 CE marking and approvals.....	4	6.2 Maintenance schedule.....	16
1.3 Disclaimer	4	6.3 Spare parts.....	17
1.4 Copyright.....	4	6.4 Recommended spares.....	17
1.5 Duty conditions.....	4	6.5 Tools required	17
1.6 Safety	5	6.6 Fastener torques.....	17
1.7 Nameplate and safety labels.....	8	6.7 Disassembly	18
1.8 Specific machine performance	8	6.8 Examination of parts	18
1.9 Noise level.....	9	6.9 Assembly	18
2 TRANSPORT AND STORAGE.....	10	7 FAULTS; CAUSES AND REMEDIES.....	19
2.1 Consignment receipt and unpacking.....	10	8 SECTIONAL ARRANGEMENT DRAWINGS	
2.2 Handling	10	AND PARTS LISTS	21
2.3 Lifting.....	10	8.1 Type WB	21
2.4 Storage.....	10	8.2 Types WJ and WJE horizontal.....	22
2.5 Recycling and end of product life.....	10	8.3 General arrangement drawing.....	23
3 DESCRIPTION	10	9 CERTIFICATION	23
3.1 Configurations	10	10 OTHER RELEVANT DOCUMENTATION	
3.2 Name nomenclature.....	10	AND MANUALS.....	23
3.3 Design of major parts	11	10.1 Supplementary User Instruction manuals...	23
3.4 Performance and operating limits	11	10.2 Change notes	23
4 INSTALLATION.....	11	10.3 Additional sources of information.....	23
4.1 Location.....	11		
4.2 Part assemblies.....	11		
4.3 Foundation	12		
4.4 Grouting	12		
4.5 Piping	12		
4.6 Electrical connections	13		
4.7 Protection systems.....	13		
5 COMMISSIONING, START-UP, OPERATION			
AND SHUTDOWN	14		
5.1 Pre-commissioning procedure	14		
5.2 Direction of rotation	14		
5.3 Guarding	14		
5.4 Priming and auxiliary supplies	14		
5.5 Starting the pump.....	14		
5.6 Running the pump.....	14		
5.7 Stopping and shutdown (all series)	15		
5.8 Hydraulic, mechanical and electrical duty.....	15		

INDEX

	Page		Page
Additional sources (10.3).....	23	Reassembly (6.9, Assembly)	18
Assembly (6.9).....	18	Receipt and unpacking (2.1)	10
ATEX marking (1.6.4.2)	7	Recommended spares (6.4).....	17
CE marking and approvals (1.2).....	4	Recycling (2.5)	10
Certification (9)	23	Replacement parts (6.3 and 6.4).....	17
Change notes (10.2)	23	Running the pump (5.6)	14
Commissioning and operation (5).....	14	Safety action (1.6.3)	5
Compliance, ATEX (1.6.4.1).....	6	Safety labels (1.7.2)	9
Configurations (3.1)	10	Safety markings (1.6.1)	5
Copyright (1.4)	4	Safety, protection systems (see 1.6 and 4.7)	
Design of major parts (3.3)	11	Sectional drawings (8).....	21
Direction of rotation (5.2)	14	Sound pressure level (1.9, Noise level)	9
Disassembly (6.7)	18	Sources, additional information (10.3)	23
Disclaimer (1.3).....	4	Spare parts (6.3)	17
Dismantling (6.7, Disassembly)	18	Specific machine performance (1.8)	8
Drawings (8)	21	Starting the pump (5.5).....	14
Duty conditions (1.5).....	4	Stop/start frequency (5.6.4).....	15
Electrical connections (4.6)	13	Stopping and shutdown (5.7)	15
End of product life (2.5)	10	Storage, pump (2.4)	10
Examination of parts (6.8)	18	Storage, spare parts (6.3.2)	17
Fastener torques (6.6)	17	Supplementary manuals or information sources.....	23
Faults; causes and remedies (7)	19	Supplementary User Instructions (10.1).....	23
Foundation (4.3)	12	Tools required (6.5)	17
General arrangement drawing (8.3)	23	Torques for fasteners (6.6).....	17
General assembly drawings (8).....	21	Trouble-shooting (see 7)	19
Grouting (4.4).....	12	Vibration (5.6.3).....	15
Guarding (5.3).....	14		
Handling (2.2)	10		
Hydraulic, mechanical and electrical duty (5.8).....	15		
Inspection (6.2.1 and 6.2.2)	16		
Installation (4)	11		
Lifting (2.3)	10		
Location (4.1)	11		
Lubrication (5.1.1).....	14		
Maintenance (6).....	16		
Maintenance schedule (6.2)	16		
Name nomenclature (3.2).....	10		
Nameplate (1.7.1)	8		
Ordering spare parts (6.3.1)	17		
Part assemblies (4.2).....	11		
Parts lists (8).....	21		
Performance (3.4).....	11		
Piping (4.5)	12		
Pre-commissioning (5.1).....	14		
Priming and auxiliary supplies (5.4).....	14		
Protection systems (4.7).....	13		

1 INTRODUCTION AND SAFETY

1.1 General



These instructions must always be kept close to the product's operating location or directly with the product.

Flowserve products are designed, developed and manufactured with state-of-the-art technologies in modern facilities. The unit is produced with great care and commitment to continuous quality control, utilising sophisticated quality techniques, and safety requirements.

Flowserve is committed to continuous quality improvement and being at service for any further information about the product in its installation and operation or about its support products, repair and diagnostic services.

These instructions are intended to facilitate familiarization with the product and its permitted use. Operating the product in compliance with these instructions is important to help ensure reliability in service and avoid risks. The instructions may not take into account local regulations; ensure such regulations are observed by all, including those installing the product. Always coordinate repair activity with operations personnel, and follow all plant safety requirements and applicable safety and health laws and regulations.



These instructions must be read prior to installing, operating, using and maintaining the equipment in any region worldwide. The equipment must not be put into service until all the conditions relating to safety, noted in the instructions, have been met. Failure to follow and apply the present user instructions is considered to be misuse. Personal injury, product damage, delay or failure caused by misuse are not covered by the Flowserve warranty.

1.2 CE marking and approvals

It is a legal requirement that machinery and equipment put into service within certain regions of the world shall conform with the applicable CE Marking Directives covering Machinery and, where applicable, Low Voltage Equipment, Electromagnetic Compatibility (EMC), Pressure Equipment Directive (PED), minimum efficiency for some water pumps (Ecodesign) and Equipment for Potentially Explosive Atmospheres (ATEX).

Where applicable, the Directives and any additional Approvals, cover important safety aspects relating to machinery and equipment and the satisfactory provision of technical documents and safety instructions.

Where applicable this document incorporates information relevant to these Directives and Approvals. To confirm the Approvals applying and if the product is CE marked, check the serial number plate markings and the Certification. (See section 9, *Certification*.)

1.3 Disclaimer

Information in these User Instructions is believed to be complete and reliable. However, in spite of all of the efforts of Flowserve Corporation to provide comprehensive instructions, good engineering and safety practice should always be used.

Flowserve manufactures products to exacting International Quality Management System Standards as certified and audited by external Quality Assurance organisations. Genuine parts and accessories have been designed, tested and incorporated into the products to help ensure their continued product quality and performance in use. As Flowserve cannot test parts and accessories sourced from other vendors the incorrect incorporation of such parts and accessories may adversely affect the performance and safety features of the products. The failure to properly select, install or use authorised Flowserve parts and accessories is considered to be misuse. Damage or failure caused by misuse is not covered by the Flowserve warranty. In addition, any modification of Flowserve products or removal of original components may impair the safety of these products in their use.

1.4 Copyright

All rights reserved. No part of these instructions may be reproduced, stored in a retrieval system or transmitted in any form or by any means without prior permission of Flowserve.

1.5 Duty conditions

This product has been selected to meet the specifications of your purchaser order. The acknowledgement of these conditions has been sent separately to the Purchaser. A copy should be kept with these instructions.



The product must not be operated beyond the parameters specified for the application. If there is any doubt as to the suitability of the product for the application intended, contact Flowserve for advice, quoting the serial number.

If the conditions of service on your purchase order are going to be changed (for example liquid pumped, temperature or duty) it is requested that the user seeks the written agreement of Flowserve before start up.

1.6 Safety

1.6.1 Summary of safety markings

These User Instructions contain specific safety markings where non-observance of an instruction would cause hazards. The specific safety markings are:



DANGER

This symbol indicates electrical safety instructions where non-compliance will involve a high risk to personal safety or the loss of life.



This symbol indicates safety instructions where non-compliance would affect personal safety and could result in loss of life.



This symbol indicates "hazardous and toxic fluid" safety instructions where non-compliance would affect personal safety and could result in loss of life.



CAUTION

This symbol indicates safety instructions where non-compliance will involve some risk to safe operation and personal safety and would damage the equipment or property.



This symbol indicates explosive atmosphere zone marking according to ATEX. It is used in safety instructions where non-compliance in the hazardous area would cause the risk of an explosion.



This symbol is used in safety instructions to remind not to rub non-metallic surfaces with a dry cloth; ensure the cloth is damp. It is used in safety instructions where non-compliance in the hazardous area would cause the risk of an explosion.



Note:

This sign is not a safety symbol but indicates an important instruction in the assembly process.

1.6.2 Personnel qualification and training

All personnel involved in the operation, installation, inspection and maintenance of the unit must be qualified to carry out the work involved. If the personnel in question do not already possess the necessary knowledge and skill, appropriate training and instruction must be provided. If required the operator may commission the manufacturer/supplier to provide applicable training.

Always coordinate repair activity with operations and health and safety personnel, and follow all plant

safety requirements and applicable safety and health laws and regulations.

1.6.3 Safety action

This is a summary of conditions and actions to help prevent injury to personnel and damage to the environment and to equipment. For products used in potentially explosive atmospheres section 1.6.4 also applies.



DANGER

NEVER DO MAINTENANCE WORK WHEN THE UNIT IS CONNECTED TO POWER



GUARDS MUST NOT BE REMOVED WHILE THE PUMP IS OPERATIONAL



DRAIN THE PUMP AND ISOLATE PIPEWORK BEFORE DISMANTLING THE PUMP

The appropriate safety precautions should be taken where the pumped liquids are hazardous.



FLUORO-ELASTOMERS (When fitted.)
When a pump has experienced temperatures over 250 °C (482 °F), partial decomposition of fluoro-elastomers (example: Viton) will occur. In this condition these are extremely dangerous and skin contact must be avoided.



HANDLING COMPONENTS

Many precision parts have sharp corners and the wearing of appropriate safety gloves and equipment is required when handling these components. To lift heavy pieces above 25 kg (55 lb) use a crane appropriate for the mass and in accordance with current local regulations.



THERMAL SHOCK

Rapid changes in the temperature of the liquid within the pump can cause thermal shock, which can result in damage or breakage of components and should be avoided.



NEVER APPLY HEAT TO REMOVE IMPELLER
Trapped lubricant or vapour could cause an explosion.



HOT (and cold) PARTS

If hot or freezing components or auxiliary heating supplies can present a danger to operators and persons entering the immediate area action must be taken to avoid accidental contact. If complete protection is not possible, the machine access must be limited to maintenance staff only, with clear visual warnings and indicators to those entering the immediate area. Note: bearing housings must not be insulated and drive motors and bearings may be hot.

If the temperature is greater than 80 °C (175 °F) or below -5 °C (20 °F) in a restricted zone, or exceeds local regulations, action as above shall be taken.



HAZARDOUS LIQUIDS

When the pump is handling hazardous liquids care must be taken to avoid exposure to the liquid by appropriate siting of the pump, limiting personnel access and by operator training. If the liquid is flammable and/or explosive, strict safety procedures must be applied.



CAUTION PREVENT EXCESSIVE EXTERNAL PIPE LOAD

Do not use pump as a support for piping. Do not mount expansion joints, unless allowed by Flowserve in writing, so that their force, due to internal pressure, acts on the pump flange.



CAUTION ENSURE CORRECT LUBRICATION

(See section 5, *Commissioning, startup, operation and shutdown.*)



CAUTION START THE PUMP WITH OUTLET VALVE PART OPENED

(Unless otherwise instructed at a specific point in the User Instructions.)

This is recommended to minimize the risk of overloading and damaging the pump or motor at full or zero flow. Pumps may be started with the valve further open only on installations where this situation cannot occur. The pump outlet control valve may need to be adjusted to comply with the duty following the run-up process. (See section 5, *Commissioning start-up, operation and shutdown.*)

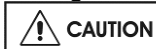


CAUTION NEVER RUN THE PUMP DRY



CAUTION INLET VALVES TO BE FULLY OPEN WHEN PUMP IS RUNNING

Running the pump at zero flow or below the recommended minimum flow continuously will cause damage to the pump and mechanical seal.



CAUTION DO NOT RUN THE PUMP AT ABNORMALLY HIGH OR LOW FLOW RATES

Operating at a flow rate higher than normal or at a flow rate with no back pressure on the pump may overload the motor and cause cavitation. Low flow rates may cause a reduction in pump/bearing life, overheating of the pump, instability and cavitation/vibration.

1.6.4 Products used in potentially explosive atmospheres



Measures are required to:

- Avoid excess temperature
- Prevent build up of explosive mixtures
- Prevent the generation of sparks
- Prevent leakages
- Maintain the pump to avoid hazard

The following instructions for pumps and pump units when installed in potentially explosive atmospheres must be followed to help ensure explosion protection. For ATEX, both electrical and non-electrical equipment must meet the requirements of European Directive 94/9/EC. Always observe the regional legal Ex requirements eg Ex electrical items outside the EU may be required certified to other than ATEX eg IECEx, UL.

1.6.4.1 Scope of compliance



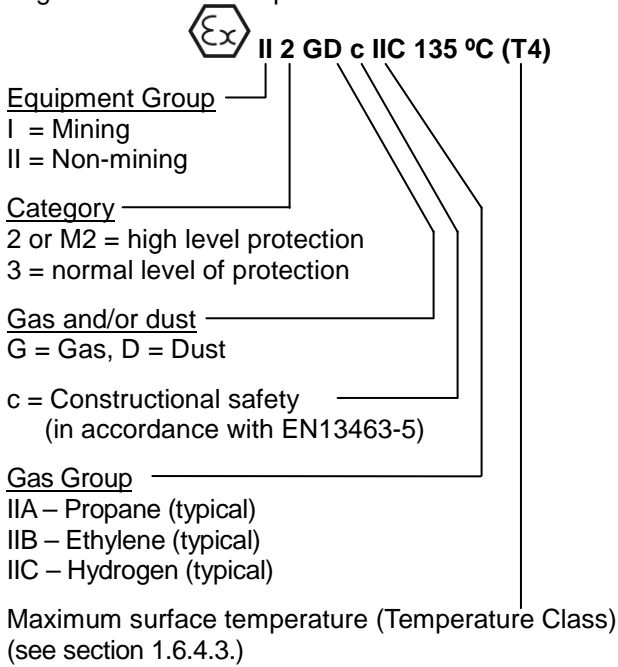
Use equipment only in the zone for which it is appropriate. Always check that the driver, drive coupling assembly, seal and pump equipment are suitably rated and/or certified for the classification of the specific atmosphere in which they are to be installed.

Where Flowserve has supplied only the bare shaft pump, the Ex rating applies only to the pump. The party responsible for assembling the ATEX pump set shall select the coupling, driver and any additional equipment, with the necessary CE Certificate/ Declaration of Conformity establishing it is suitable for the area in which it is to be installed.

The output from a variable frequency drive (VFD) can cause additional heating effects in the motor and so, for pump sets with a VFD, the ATEX Certification for the motor must state that it covers the situation where electrical supply is from the VFD. This particular requirement still applies even if the VFD is in a safe area.

1.6.4.2 Marking

An example of ATEX equipment marking is shown below. The actual classification of the pump will be engraved on the nameplate.



1.6.4.3 Avoiding excessive surface temperatures

ENSURE THE EQUIPMENT TEMPERATURE CLASS IS SUITABLE FOR THE HAZARD ZONE

Pumps have a temperature class as stated in the ATEX Ex rating on the nameplate. These are based on a maximum ambient of 40 °C (104 °F); refer to Flowserve for higher ambient temperatures.

The surface temperature on the pump is influenced by the temperature of the liquid handled. The maximum permissible liquid temperature depends on the ATEX temperature class and must not exceed the values in the table that follows:

Maximum permitted liquid temperature for pumps

Temperature class to EN13463-1	Maximum surface temperature permitted	Temperature limit of liquid handled *
T6	85 °C (185 °F)	Consult Flowserve
T5	100 °C (212 °F)	Consult Flowserve
T4	135 °C (275 °F)	115 °C (239 °F) *
T3	200 °C (392 °F)	180 °C (356 °F) *
T2	300 °C (572 °F)	275 °C (527 °F) *
T1	450 °C (842 °F)	400 °C (752 °F) *

* The table only takes the ATEX temperature class into consideration. Pump design or material, as well as component design or material, may further limit the maximum working temperature of the liquid.

The temperature rise at the seals and bearings and due to the minimum permitted flow rate is taken into account in the temperatures stated.

The operator is responsible to ensure that the specified maximum liquid temperature is not exceeded.

Temperature classification “Tx” is used when the liquid temperature varies and when the pump is required to be used in differently classified potentially explosive atmospheres. In this case the user is responsible for ensuring that the pump surface temperature does not exceed that permitted in its actual installed location.

If an explosive atmosphere exists during the installation, do not attempt to check the direction of rotation by starting the pump unfilled. Even a short run time may give a high temperature resulting from contact between rotating and stationary components.

Avoid mechanical, hydraulic or electrical overload by using motor overload trips, temperature monitors or a power monitor and make routine vibration monitoring checks.

In dirty or dusty environments, make regular checks and remove dirt from areas around close clearances, bearing housings and motors.

Where there is any risk of the pump being run against a closed valve generating high liquid and casing external surface temperatures fit an external surface temperature protection device.

1.6.4.4 Preventing the build up of explosive mixtures

ENSURE THE PUMP IS PROPERLY FILLED AND VENTED AND DOES NOT RUN DRY

Ensure the pump and relevant suction and discharge pipeline system is totally filled with liquid at all times during the pump operation, so that an explosive atmosphere is prevented.

In addition it is essential to make sure that seal chambers, auxiliary shaft seal systems and any heating and cooling systems are properly filled.

If the operation of the system cannot avoid this condition, fit an appropriate dry run protection device (for example liquid detection or a power monitor).

To avoid potential hazards from fugitive emissions of vapour or gas to atmosphere the surrounding area must be well ventilated.

1.6.4.5 Preventing sparks



To prevent a potential hazard from mechanical contact, the coupling guard must be non-sparking and anti-static for Category 2.

To avoid the potential hazard from random induced current generating a spark, the baseplate must be properly grounded.



Avoid electrostatic charge: do not rub non-metallic surfaces with a dry cloth; ensure cloth is damp.

For ATEX the coupling must be selected to comply with 94/9/EC. Correct coupling alignment must be maintained.

1.6.4.6 Additional requirement for metallic pumps on non-metallic baseplates

When metallic components are fitted on a non-metallic baseplate they must be individually earthed.

1.6.4.7 Preventing leakage



The pump must only be used to handle liquids for which it has been approved to have the correct corrosion resistance.

Avoid entrapment of liquid in the pump and associated piping due to closing of suction and discharge valves, which could cause dangerous excessive pressures to occur if there is heat input to the liquid. This can occur if the pump is stationary or running.

Bursting of liquid containing parts due to freezing must be avoided by draining or protecting the pump and ancillary systems.

Where there is the potential hazard of a loss of a seal barrier fluid or external flush, the fluid must be monitored.

If leakage of liquid to atmosphere can result in a hazard, install a liquid detection device

1.6.4.8 Maintenance to avoid the hazard



CORRECT MAINTENANCE IS REQUIRED TO AVOID POTENTIAL HAZARDS WHICH GIVE A RISK OF EXPLOSION

The responsibility for compliance with maintenance instructions is with the plant operator.

To avoid potential explosion hazards during maintenance, the tools, cleaning and painting materials used must not give rise to sparking or

adversely affect the ambient conditions. Where there is a risk from such tools or materials, maintenance must be conducted in a safe area.

It is recommended that a maintenance plan and schedule is adopted. (See section 6, *Maintenance*.)

1.7 Nameplate and safety labels

1.7.1 Nameplate

For details of nameplate, see the *Declaration of Conformity*, or separate documentation included with these User Instructions.

EU regulation 547/2012 requires the statement on a product nameplate: MEI ≥ 0.10 [--, -]. (See section 1.8.2, *Ecodesign*.)

1.7.2 Safety labels

FLOWSERVE		WARNING	J218JZ250
ESSENTIAL PROCEDURES BEFORE STARTING:			
INSTALL AND OPERATE EQUIPMENT IN ACCORDANCE WITH THE INSTRUCTION MANUAL SUPPLIED SEPARATELY.	ENSURE ALL EXTERNAL CONNECTIONS TO THE PUMP / SHAFT SEALING AND DRIVER ARE CONNECTED AND OPERATIONAL.		
ENSURE GUARDS ARE SECURELY IN PLACE.	FULLY PRIME UNIT AND SYSTEM. DO NOT RUN UNIT DRY.		
ENSURE CORRECT DIRECTION OF ROTATION.	FAILURE TO FOLLOW THESE PROCEDURES MAY RESULT IN PERSONAL INJURY AND / OR EQUIPMENT DAMAGE		

1.8 Specific machine performance

1.8.1 General

For performance parameters see section 1.5, *Duty conditions*. When the contract requirement specifies these to be incorporated into User Instructions these are included here. Where performance data has been supplied separately to the purchaser these should be obtained and retained with these User Instructions if required.

1.8.2 Ecodesign

EU regulation 547/2012 of the Directive 2009/125/EC, for the minimum efficiency of defined classes of water pumps requires that products must show their Minimum Efficiency Index (MEI) value. The EU benchmark MEI ≥ 0.70. Also product information must be available to users.

Performance curves will have been provided with the quotation or order or are available at flowserve.com.

The efficiency of a pump with trimmed impeller is usually lower than that of a pump with the full impeller diameter. Trimming of the impeller will adapt the pump to a fixed duty point, leading to reduced energy consumption. The minimum efficiency index (MEI) is based on the full impeller diameter.

The operation of this water pump with variable duty points may be more efficient and economic when controlled by, for example, by the use of a variable speed drive that matches the pump duty to the system.

Information on benchmark efficiency is available at: www.europump.org/efficiencycharts

1.9 Noise level

Attention must be given to the exposure of personnel to the noise, and local legislation will define when guidance to personnel on noise limitation is required, and when noise exposure reduction is mandatory. This is typically 80 to 85 dBA.

The usual approach is to control the exposure time to the noise or to enclose the machine to reduce emitted sound. You may have already specified a limiting noise level when the equipment was ordered, however if no noise requirements were defined, then attention is drawn to the following table to give an indication of equipment noise level so that you can take the appropriate action in your plant.

Pump noise level is dependent on a number of operational factors, flow rate, pipework design and acoustic characteristics of the building, and so the

values given are subject to a 3 dBA tolerance and cannot be guaranteed.

Similarly the motor noise assumed in the “pump and motor” noise is that typically expected from standard and high efficiency motors when on load directly driving the pump. Note that a motor driven by an inverter may show an increased noise at some speeds.

If a pump unit only has been purchased for fitting with your own driver then the “pump only” noise levels in the table should be combined with the level for the driver obtained from the supplier. Consult Flowserve or a noise specialist if assistance is required in combining the values.

It is recommended that where exposure approaches the prescribed limit, then site noise measurements should be made.

The values are in sound pressure level L_{pA} at 1 m (3.3 ft) from the machine, for “free field conditions over a reflecting plane”.

For estimating sound power level L_{WA} (re 1 pW) then add 14 dBA to the sound pressure value.

Motor size and speed kW (hp)	Typical sound pressure level L_{pA} at 1 m reference 20 μ Pa, dBA							
	3 550 r/min		2 900 r/min		1 750 r/min		1 450 r/min	
	Pump only	Pump and motor	Pump only	Pump and motor	Pump only	Pump and motor	Pump only	Pump and motor
<0.55 (<0.75)	72	72	64	65	62	64	62	64
0.75 (1)	72	72	64	66	62	64	62	64
1.1 (1.5)	74	74	66	67	64	64	62	63
1.5 (2)	74	74	66	71	64	64	62	63
2.2 (3)	75	76	68	72	65	66	63	64
3 (4)	75	76	70	73	65	66	63	64
4 (5)	75	76	71	73	65	66	63	64
5.5 (7.5)	76	77	72	75	66	67	64	65
7.5 (10)	76	77	72	75	66	67	64	65
11 (15)	80	81	76	78	70	71	68	69
15 (20)	80	81	76	78	70	71	68	69
18.5 (25)	81	81	77	78	71	71	69	71
22 (30)	81	81	77	79	71	71	69	71
30 (40)	83	83	79	81	73	73	71	73
37 (50)	83	83	79	81	73	73	71	73
45 (60)	86	86	82	84	76	76	74	76

Note: for 1 180 and 960 r/min reduce 1 450 r/min values by 2 dBA. For 880 and 720 r/min reduce 1 450 r/min values by 3 dBA.

2 TRANSPORT AND STORAGE

2.1 Consignment receipt and unpacking

Immediately after receipt of the equipment it must be checked against the delivery/shipping documents for its completeness and that there has been no damage in transportation. Any shortage and/or damage must be reported immediately to Flowserve and must be received in writing within one month of receipt of the equipment. Later claims cannot be accepted.

Check any crate, boxes or wrappings for any accessories or spare parts that may be packed separately with the equipment or attached to side walls of the box or equipment.

Each product has a unique serial number. Check that this number corresponds with that advised and always quote this number in correspondence as well as when ordering spare parts or further accessories.

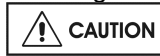
2.2 Handling

Boxes, crates, pallets or cartons may be unloaded using fork lift vehicles or slings dependent on their size and construction.

2.3 Lifting



A crane must be used for all pump sets or components in excess of 25 kg (55 lb.). Fully trained personnel must carry out lifting, in accordance with local regulations.



No specific lifting points are provided for this complete machine (unless so specified). Any lifting points that can be seen are provided only for dismantling parts for servicing. Slings, ropes and other lifting gear should be positioned where they cannot slip and where a balanced lift is obtained. The angle between sling or ropes used for lifting must not exceed 60°.

Before lifting the driver alone, refer to the manufacturer's instructions.

The driver weight is recorded on its nameplate.

2.4 Storage



Store the pump in a clean, dry location away from vibration. Leave piping connection covers in place to keep dirt and other foreign material out of pump casing. Turn pump at intervals to prevent brinelling of the bearings and the seal faces, if fitted, from sticking.

The pump may be stored as above for up to 6 months. Consult Flowserve for preservative actions when a longer storage period is needed.

2.5 Recycling and end of product life

At the end of the service life of the product or its parts, the relevant materials and parts should be recycled or disposed of using an environmentally acceptable method and local requirements. If the product contains substances that are harmful to the environment, these should be removed and disposed of in accordance with current regulations. This also includes the liquids and or gases that may be used in the "seal system" or other utilities.



Make sure that hazardous substances or toxic fluids are disposed of safely and that the correct personal protective equipment is used. The safety specifications must be in accordance with the current regulations at all times.

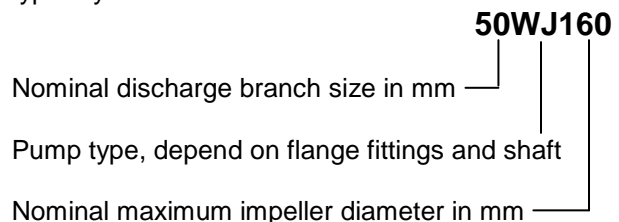
3 DESCRIPTION

3.1 Configurations

This is a robust centrifugal pump design for a wide range of applications.

3.2 Name nomenclature

The pump size will be engraved on the nameplate typically as below:



The typical nomenclature above is the general guide to the D-line pump configuration description.

Identify the actual pump size and serial number from the pump nameplate. Check that this agrees with the applicable certification provided.

3.3 Design of major parts

3.3.1 Pump casing

The pump casing is designed with a horizontal centreline end inlet and a vertical centreline top outlet, which makes it self-venting. For ease of maintenance, the pump is constructed so that pipe connections do not have to be disturbed when internal maintenance is required.

3.3.2 Impeller

A shrouded impeller with hub rings is fitted.

3.3.3 Shaft

The pump shaft or sleeve can be removed from the motor for maintenance or replacement.

3.3.4 Bearing housing and lubrication

The pump uses the driver's bearings to give primary support and positioning to the input shaft. See the driver's instruction book for lubrication details.

3.3.5 Seal housing

The seal housings designs provide improved performance of mechanical seals

3.3.6 Shaft seal

The mechanical seal(s) attached to the pump shaft seals the pumped liquid from the environment.

3.3.7 Driver

The pump is driven by a close coupled electric motor..

3.3.8 Accessories

Accessories may be fitted when specified by the customer.

3.4 Performance and operating limits

This product has been selected to meet the specifications of the purchase order. (See section 1.5.)

These pumps are generally fitted with TEFC motors with an ambient temperature limit of 40°C. Specific pumps may be fitted with motors to suit client's requirements with other ambient temperature limits - see motor nameplate for details.

3.4.1 Pressure limits

The operating pressure has been selected to meet your specified requirements. See paragraph 1.5, *Duty conditions*, for details.

Pump type	Max. working pressure (bar)	Test pressure (bar)	Recommended max. suction pressure (bar)		Liquid temperature limits (°C)
			1 450 & 1 750 rpm	2 900 & 3 500 rpm	
WB	5	10	3.4	2.75	-20 to 110
WJ	12	18	5.2	2.75	-20 to 110
WJE	16	24	5.2	2.75	-20 to 110

4 INSTALLATION

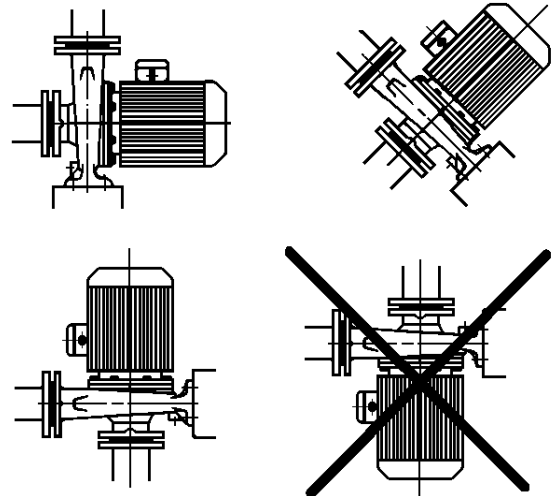


Equipment operated in hazardous locations must comply with the relevant explosion protection regulations. See section 1.6.4, *Products used in potentially explosive atmospheres*.

4.1 Location

The pump should be located to allow room for access, ventilation, maintenance and inspection with ample headroom for lifting and should be as close as practicable to the supply of liquid to be pumped. Refer to the general arrangement drawing for the pump set.

Various pump positions are possible. (See diagram.)



It is possible for the pump/motor assembly to be supported by the connecting pipework if it is suitably stable and rigid. For hot, damp environments, the preferred orientation is horizontal.

4.2 Part assemblies

These pumps are not normally supplied in part assemblies but special accessories such as loose orifice plates are supplied loose. Ensure these are incorporated in the final installation.

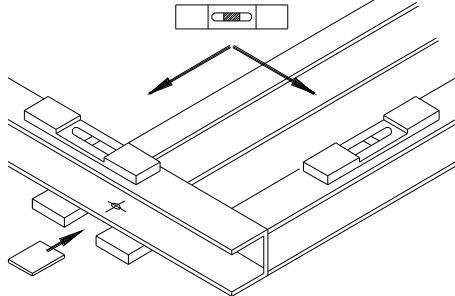
4.3 Foundation



There are many methods of installing pump units to their foundations. The correct method depends on the size of the pump unit, its location and noise and vibration limitations. Non-compliance with the provision of correct foundation and installation may lead to failure of the pump and, as such, would be outside the terms of the warranty.

Where a baseplate is used, it should be mounted onto a firm foundation, either an appropriate thickness of quality concrete or sturdy steel framework. It should be packed or shimmed underneath to avoid distortion when pulled down onto the surface of the foundation.

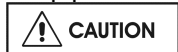
Where supplied, install the baseplate onto packing pieces evenly spaced and adjacent to foundation bolts.



Level with shims between baseplate and packing pieces.

If the pump is being directly mounted onto a plinth then WB and WJ pumps are bolted down using the foot on the adapter. The larger WJE pumps are bolted down using the motor feet.

It is recommended that bolts (not studs) are used to hold down the pump feet to permit easy removal from the pipework.



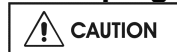
These close coupled pumps feature a back pull-out design. This means that when correctly installed, the rotating element can be withdrawn from the casing without disturbing the system pipework. The use of grouted-in studs to secure the feet prevents back pull-out and will make maintenance more difficult and time consuming. The procedures in the above paragraphs should be followed in order to obtain the maximum benefit from the pump design.

4.4 Grouting

Where applicable, grout in the foundation bolts.

Foundation bolts should only be fully tightened when the grout has cured.

4.5 Piping



Protective covers are fitted to the pipe connections to prevent foreign bodies entering during transportation and installation. Ensure that these covers are removed from the pump before connecting any pipes.

4.5.1 Suction and discharge pipework



Never use pump as a support for piping.

In order to minimize friction losses and hydraulic noise in the pipework it is good practice to choose pipework that is one or two sizes larger than the pump suction and discharge. Typically main pipework velocities should not exceed 2 m/s (6 ft/sec) suction and 3 m/s (9 ft/sec) on the discharge.

Maximum forces and moments allowed on the pump flanges vary with the pump size and type. To minimize these forces and moments that may, if excessive, cause misalignment, hot bearings, worn couplings, vibration and the possible failure of the pump casing, the following points should be strictly followed:

- Prevent excessive external pipe load
- Never draw piping into place by applying force to pump flange connections
- Do not mount expansion joints so that their force, due to internal pressure, acts on the pump flange



Ensure piping and fittings are flushed before use.



Ensure piping for hazardous liquids is arranged to allow pump flushing before removal of the pump.

Take into account the available NPSH which must be higher than the required NPSH of the pump.

4.5.2 Suction piping

- a) The inlet pipe should be one or two sizes larger than the pump inlet bore and pipe bends should be as large a radius as possible.
- b) On suction lift the piping should be inclined up towards the pump inlet with eccentric reducers incorporated to prevent air locks.
- c) On positive suction, the inlet piping must have a constant fall towards the pump.
- d) The pipe next to the pump should be the same diameter as the pump suction and have a minimum of two pipe diameters of straight section between the elbow and the pump inlet flange. Where the NPSH margin is not large, it is recommended that the pipe straight is 5 to 10 pipe diameter. (See section 10.3, Reference 1.)

Inlet strainers, when used, should have a net 'free area' of at least three times the inlet pipe area.

- e) Fitting isolation and non-return valves will allow easier maintenance.
- f) Never throttle pump on suction side and never place a valve directly on the pump inlet nozzle.

4.5.3 Discharge piping

- a) A non-return valve should be located in the discharge pipework to protect the pump from excessive back pressure and hence reverse rotation when the unit is stopped.
- b) Fitting an isolation valve will allow easier maintenance.

4.5.4 Flange loads

The permissible flange loading is dependent on a number of factors such as dimensions, flange rating, pressure, temperature, material, pump configuration etc. The recommendations contained in the section on pipework connections should be followed to eliminate these loads.

When requested the permissible flange loading will have been supplied separately to the purchaser and should be obtained and retained with this manual. If in doubt contact Flowserve for information.

4.5.5 Auxiliary piping



The connections that are to be piped up will have been fitted with protective metal or plastic plugs which will need to be removed.

4.5.6 Final checks

Check the torque of all bolts in the suction and discharge pipework. Check also the torque of all foundation bolts.

4.6 Electrical connections



DANGER Electrical connections must be made by a qualified Electrician in accordance with relevant local national and international regulations.



It is important to be aware of the EUROPEAN DIRECTIVE on potentially explosive areas where compliance with IEC60079-14 is an additional requirement for making electrical connections.



It is important to be aware of the EUROPEAN DIRECTIVE on electromagnetic compatibility when wiring up and installing equipment on site. Attention must be paid to ensure that the techniques used during wiring/installation do not increase electromagnetic emissions or decrease the electromagnetic immunity of

the equipment, wiring or any connected devices. If in any doubt contact Flowserve for advice.



DANGER The motor must be wired up in accordance with the motor manufacturer's instructions (normally supplied within the terminal box) including any temperature, earth leakage, current and other protective devices as appropriate. The identification nameplate should be checked to ensure the power supply is appropriate.



A device to provide emergency stopping must be fitted.

If not supplied pre-wired to the pump unit, the controller/ starter electrical details will also be supplied within the controller/starter.

For electrical details on pump sets with controllers see the separate wiring diagram.



See section 5.2, *Direction of rotation*, before connecting the motor to the electrical supply.

4.7 Protection systems



The following protection systems are recommended particularly if the pump is installed in a potentially explosive area or is handling a hazardous liquid. If in any doubt consult Flowserve.


If there is any possibility of the system allowing the pump to run against a closed valve or below minimum continuous safe flow, install a protection device to ensure the temperature of the liquid does not rise to an unsafe level.

If there are any circumstances in which the system can allow the pump to run dry, or start up empty, fit a power monitor to stop the pump or prevent it from being started. This is particularly relevant if the pump is handling a flammable liquid.

If leakage of product from the pump or its associated sealing system can cause a hazard install an appropriate leakage detection system.

To prevent excessive surface temperatures at bearings carry out temperature or vibration monitoring.

5 COMMISSIONING, START-UP, OPERATION AND SHUTDOWN


 **CAUTION** These operations must be carried out by fully qualified personnel.


5.1 Pre-commissioning procedure

5.1.1 Lubrication


Electric motors are supplied pre-greased and are normally sealed for life. If in doubt, refer to motor instruction manual.

5.2 Direction of rotation

 **CAUTION** Serious damage can result if the pump is started or run in the wrong direction of rotation. These pumps turn clockwise as viewed from the motor end.

 **CAUTION** If maintenance work has been carried out to the site's electricity supply, the direction of rotation should be re-checked as above in case the supply phasing has been altered.

5.3 Guarding


 Guarding is supplied fitted to the pump set.

In member countries of the EU and EFTA, it is a legal requirement that fasteners for guards must remain captive in the guard to comply with the Machinery Directive 2006/42/EC. When releasing such guards, the fasteners must be unscrewed in an appropriate way to ensure that the fasteners remain captive.

Whenever guarding is removed or disturbed ensure that all the protective guards are securely refitted prior to start-up.

5.4 Priming and auxiliary supplies



5.4.1 Filling and priming

 **CAUTION** Ensure inlet pipe and pump casing is completely full of liquid before starting continuous duty operation.

Priming may be carried out with an ejector, vacuum pump interceptor or other equipment, or by flooding from the inlet source.

When in service, pumps using inlet pipes with foot valves may be primed by passing liquid back from the outlet pipe through the pump.

5.5 Starting the pump


- a)  **CAUTION** Ensure flushing and/or cooling/heating liquid supplies are turned ON, before starting pump.
- b) CLOSE the outlet valve.
- c) OPEN all inlet valves.
- d) Prime the pump.
- e) Start motor and check the outlet pressure.
- f) If the pressure is satisfactory, SLOWLY open the outlet valve.
- g)  **CAUTION** Do not run the pump against a closed valve for more than 10 seconds.
- h) If NO pressure, or LOW pressure, STOP the pump. Refer to section 7, *Faults; causes and remedies*, for fault diagnosis.

5.6 Running the pump


5.6.1 Pumps fitted with mechanical seal

Mechanical seals require no adjustment. Any slight initial leakage will stop when the seal is run in. Seals will always have leakage emission from the boundary film edge in operation.

Before pumping dirty liquids it is advisable, if possible, to run the pump in using clean liquid to safeguard the seal face.

 **CAUTION** Never run a mechanical seal dry, even for a short time.

5.6.2 Bearings

 If the pumps are working in a potentially explosive atmosphere monitor temperature and/or vibration at the bearings.


If bearing temperatures are to be monitored it is essential that a benchmark temperature is recorded at the commissioning stage and after the bearing temperature has stabilized.

- Record the bearing temperature (t) and the ambient temperature (ta)
- Estimate the likely maximum ambient temperature (tb)
- Set the alarm at (t+tb-ta+5) °C (t+tb-ta+10) °F and the trip 105 °C (220 °F).

It is important, to keep a check on bearing temperatures. After start up the temperature rise should be gradual, reaching a maximum after approximately 1.5 to 2 hours. This temperature should then remain constant or marginally reduce with time.

5.6.3 Normal vibration levels, alarm and trip

For guidance, pumps generally fall under a classification for rigid support machines within the International rotating machinery standards and the recommended maximum levels below are based on those standards.

 Alarm and trip values for installed pumps should be based on the actual measurements (N) taken on the pump in the fully commissioned as new condition. Measuring vibration at regular intervals will then show any deterioration in pump or system operating conditions.

Vibration velocity – unfiltered	Horizontal pumps ≤ 15 kW mm/sec (in./sec) r.m.s.	> 15 kW mm/sec (in./sec) r.m.s.
Normal N	≤ 3.0 (0.12)	≤ 4.5 (0.18)
Alarm N x 1.25	≤ 3.8 (0.15)	≤ 5.6 (0.22)
Shutdown trip N x 2.0	≤ 6.0 (0.24)	≤ 9.0 (0.35)



5.6.4 Stop/start frequency

Pump sets are normally suitable for the number of equally spaced stop/starts per hour shown in the table below. Check capability of the driver and control/starting system before commissioning.

Motor rating kW (hp)	Maximum stop/starts per hour
Up to 15 (20)	15
Between 15 (20) and 90 (120)	10

Where duty and standby pumps are installed it is recommended that they are run alternately every week.

5.7 Stopping and shutdown (all series)

-  Close the outlet valve, but ensure that the pump runs in this condition for no more than a few seconds.
- Stop the pump.
-  For prolonged shut-downs and especially when ambient temperatures are likely to drop below freezing point, the pump and any cooling and flushing arrangements must be drained or otherwise protected.

5.8 Hydraulic, mechanical and electrical duty

This product has been supplied to meet the performance specifications of your purchase order, however it is understood that during the life of the product these may change. The following notes may help the user decide how to evaluate the implications of any change. If in doubt contact your nearest Flowserve office.

5.8.1 Specific gravity (SG)

Pump capacity and total head in metres (feet) do not change with SG, however pressure displayed on a pressure gauge is directly proportional to SG. Power absorbed is also directly proportional to SG. It is therefore important to check that any change in SG will not overload the pump driver or over-pressurize the pump.

5.8.2 Viscosity

For a given flow rate the total head reduces with increased viscosity and increases with reduced viscosity. Also for a given flow rate the power absorbed increases with increased viscosity, and reduces with reduced viscosity. It is important that checks are made with your nearest Flowserve office if changes in viscosity are planned.

5.8.3 Pump speed

Changing pump speed effects flow, total head, power absorbed, NPSH_R, noise and vibration. Flow varies in direct proportion to pump speed, head varies as speed ratio squared and power varies as speed ratio cubed. The new duty, however, will also be dependent on the system curve. If increasing the speed, it is important therefore to ensure the maximum pump working pressure is not exceeded, the driver is not overloaded, NPSH_A > NPSH_R, and that noise and vibration are within local requirements and regulations.

5.8.4 Net positive suction head (NPSH_A)

NPSH available (NPSH_A) is a measure of the head available in the pumped liquid, above its vapour pressure, at the pump suction branch.

NPSH required (NPSH_R) is a measure of the head required in the pumped liquid, above its vapour pressure, to prevent the pump from cavitating. It is important that NPSH_A > NPSH_R. The margin between NPSH_A > NPSH_R should be as large as possible.

If any change in NPSH_A is proposed, ensure these margins are not significantly eroded. Refer to the pump performance curve to determine exact requirements particularly if flow has changed.

If in doubt please consult your nearest Flowserve office for advice and details of the minimum allowable margin for your application.

5.8.5 Pumped flow

Flow must not fall outside the minimum and maximum continuous safe flow shown on the pump performance curve and or data sheet.

6 MAINTENANCE

6.1 General



It is the plant operator's responsibility to ensure that all maintenance, inspection and assembly work is carried out by authorized and qualified personnel who have adequately familiarized themselves with the subject matter by studying this manual in detail. (See also section 1.6.)

Any work on the machine must be performed when it is at a standstill. It is imperative that the procedure for shutting down the machine is followed, as described in section 5.7.

Before restarting the machine, the relevant instructions listed in section 5, *Commissioning, start up, operation and shut down* must be observed.

Oil and grease leaks may make the ground slippery. Machine maintenance must always begin and finish by cleaning the ground and the exterior of the machine.

If platforms, stairs and guard rails are required for maintenance, they must be placed for easy access to areas where maintenance and inspection are to be carried out. The positioning of these accessories must not limit access or hinder the lifting of the part to be serviced.

When air or compressed inert gas is used in the maintenance process, the operator and anyone in the vicinity must be careful and have the appropriate protection.

Do not spray air or compressed inert gas on skin.

Do not direct an air or gas jet towards other people.

Never use air or compressed inert gas to clean clothes.

Before working on the pump, take measures to prevent an uncontrolled start. Put a warning board on the starting device with the words:

"Machine under repair: do not start".

With electric drive equipment, lock the main switch open and withdraw any fuses. Put a warning board on the fuse box or main switch with the words:

"Machine under repair: do not connect".

Never clean equipment with inflammable solvents or carbon tetrachloride. Protect yourself against toxic fumes when using cleaning agents.

6.2 Maintenance schedule



It is recommended that a maintenance plan and schedule is adopted, in line with these User Instructions, to include the following:

- Any auxiliary systems installed must be monitored, if necessary, to ensure they function correctly.
- Check for any leaks from gaskets and seals. The correct functioning of the shaft seal must be checked regularly.
- Check that the duty condition is in the safe operating range for the pump.
- Check vibration, noise level and surface temperature at the bearings to confirm satisfactory operation.
- Check dirt and dust is removed from areas around close clearances, bearing housings and motors.

Our specialist service personnel can help with preventative maintenance records and provide condition monitoring for temperature and vibration to identify the onset of potential problems.

If any problems are found the following sequence of actions should take place:

- Refer to section 7, *Faults; causes and remedies*, for fault diagnosis.
- Ensure equipment complies with the recommendations in this manual.
- Contact Flowserve if the problem persists.

6.2.1 Routine inspection (daily/weekly)



The following checks should be made and the appropriate action taken to remedy any deviations:

- Check operating behaviour. Ensure noise, vibration and bearing temperatures are normal.
- Check that there are no abnormal fluid I leaks (static and dynamic seals).
- Check that shaft seal leaks are within acceptable limits.
- Check running hours since last recharge of grease or complete grease change.

6.2.2 Periodic inspection (six monthly)



- Check foundation bolts for security of attachment and corrosion.
- Check pump running records for hourly usage to determine if bearing lubricant requires changing.



Refer to the manuals of any associated equipment for periodic checks needed.

6.2.3 Re-lubrication

For general guidelines refer to section 5.1, *Lubrication*.

Lubricant and bearing temperature analysis can be useful in optimizing bearing change intervals.

6.2.4 Mechanical seals

When leakage becomes unacceptable the seal will need replacement.

6.3 Spare parts

6.3.1 Ordering of spares

Flowserve keeps records of all pumps that have been supplied. When ordering spares the following information should be quoted:

- 1) Pump serial number.
- 2) Pump size.
- 3) Part name – taken from section 8.
- 4) Part number – taken from section 8.
- 5) Number of parts required.

The pump size and serial number are shown on the pump nameplate.

To ensure continued satisfactory operation, replacement parts to the original design specification should be obtained from Flowserve. Any change to the original design specification (modification or use of a non-standard part) will invalidate the pump's safety certification.

6.3.2 Storage of spares

Spares should be stored in a clean dry area away from vibration. Inspection and re-treatment of metallic surfaces (if necessary) with preservative is recommended at 6 monthly intervals.

6.4 Recommended spares

Recommended spares are defined on the following basis and contained in the table below and in section 8.

- Class 1 (S1) – Start-up and commissioning spares.
- Class 2 (S2) – Two year spares requirement covering maintenance for this period.
- Class 3 (S3) – Five year capital spares requirement.

A multiplier is provided in the last column of the table for multiple pump purchases, which can be used where more than one pump is purchased to give the estimated volume of spares required.

Part no.	Description	No off	Spares level			Multiplier for multiple pumps
			S1	S2	S3	
0241	Tolerance ring	1		YES		50%
2110	Pump shaft	1			YES	25%
2200	Impeller	1			YES	25%
2540	Deflector	1		YES		50%
2913	Impeller screw	1			YES	25%
4200	Mechanical seal	1	YES	YES		50%
4590	Gasket	1	YES	YES		50%
6545	Outer circlip	1			YES	50%
Additional recommendations WJ pumps						
1500	Casing wear ring	1			YES	25%
1521	Cover wear ring	1			YES	25%
2905	Washer	1			YES	25%
6700	Key	1			YES	25%
Additional recommendations WJE pumps						
2400	Sleeve	1		YES		25%
4590.2	Gasket	1		YES		50%

6.5 Tools required

A typical range of tools that will be required to maintain these pumps is listed below.

Readily available in standard tool kits, and dependent on pump size:

- Open ended spanners (wrenches) to suit up to M 20 screws/nuts
- Socket spanners (wrenches), up to M 20 screws
- Allen keys, up to 10 mm (A/F)
- Range of screwdrivers
- Soft mallet
- Thickness feeler gages

6.6 Fastener torques

Fastener size	Torque Nm (lbf•ft)
M8	16 (12)
M10	25 (18)
M12	35 (26)
M16	80 (59)
M20	130 (96)

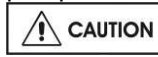


Non-metallic gaskets incur creep relaxation - before commissioning the pump check and retighten fasteners to tightening torques stated.

6.7 Disassembly



Refer to *Safety* section before dismantling the pump.



Before dismantling the pump for overhaul, ensure genuine Flowserve replacement parts are available. Refer to sectional drawings for part numbers and identification. (See section 8, *Parts lists and drawings*.)

Remove the bolts or setscrews which secure the pump casing to the adaptor [1340] and then prise apart. (On type WB pumps the casing joint is visible externally and may be damaged unless care is taken.)

The impeller of type WB pumps is removed by unscrewing bodily anti-clockwise after first removing the impeller screw [2913]. On pumps with D80/D90 frame size motors, a hole or slot is provided in the adaptor [1340] through which the shaft keyway can be engaged with a steel rod or similar tool. With D71 frame motors, it is necessary to remove the fan cowl to allow the motor shaft to be gripped.

The impellers of types WJ and WJE pumps are keyed to their shafts and can be pulled or levered off, after first removing the impeller screw [2913].

On types WB and WJ removal of the outer circlip [6545] will allow the seal to be withdrawn. In the event of difficulty, work a small quantity of liquid soap or olive oil under the seal. Separation of the motor and bracket will further assist in pulling off the seal.

On type WJE push back the seal spring to allow the sleeve [2400], complete with seal, to be pulled off.

On types WB and WJ do not remove the pump shaft unless a replacement or motor repair is indicated.

6.8 Examination of parts



Used parts must be inspected before assembly to ensure the pump will subsequently run properly. In particular, fault diagnosis is essential to enhance pump and plant reliability.

6.8.1 Casing, seal housing and impeller

Inspect for excessive wear, pitting, corrosion, erosion or damage and any sealing surface irregularities. Replace as necessary.

6.8.2 Shaft and sleeve (if fitted)

Replace if grooved, pitted or worn.

6.8.3 Gaskets and O-rings

After dismantling, discard and replace.

6.9 Assembly

To assemble the pump, consult the sectional drawings. (See section 8, *Parts lists and drawings*.)

Ensure threads, gasket and O-ring mating faces are clean. Apply thread sealant to non-face sealing pipe thread fittings.

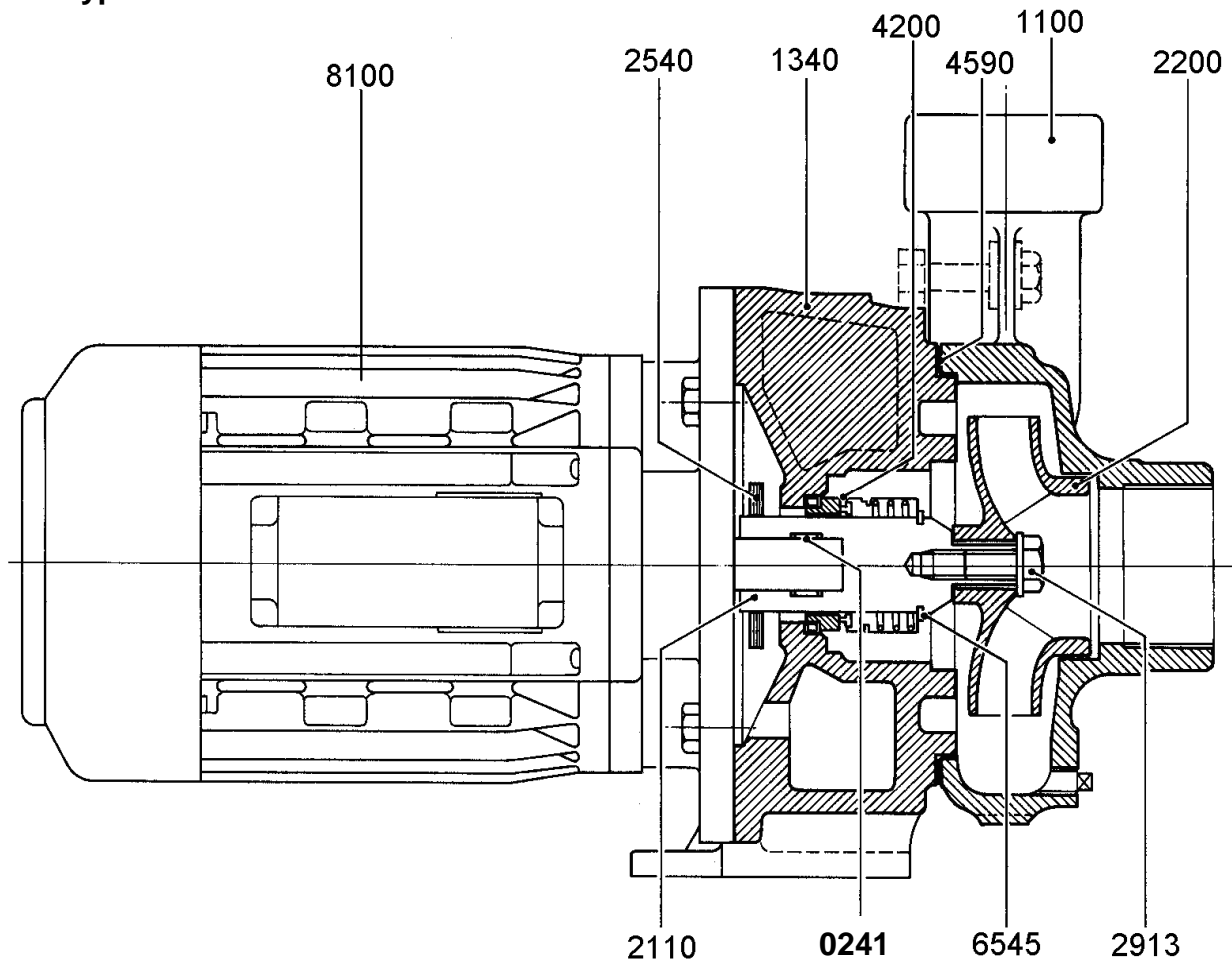
Clean all joint faces and ensure that the parts on which the seal is to fit are free from burrs. The use of an anti-scuffing lubricant, such as molybdenum disulphide, under the impeller and sleeve, is recommended. Use liquid soap or olive oil when fitting the seal. The impeller screw has a plastic insert and should preferably be renewed.

FAULT SYMPTOM

Pump overheats and seizes												
↓ Bearings have short life												
↓ ↓ Pump vibrates or is noisy												
↓ ↓ ↓ Mechanical seal has short life												
↓ ↓ ↓ ↓ Mechanical seal leaks excessively												
↓ ↓ ↓ ↓ ↓ Pump requires excessive power												
↓ ↓ ↓ ↓ ↓ ↓ Pump loses prime after starting												
↓ ↓ ↓ ↓ ↓ ↓ ↓ Insufficient pressure developed												
↓ ↓ ↓ ↓ ↓ ↓ ↓ ↓ Insufficient capacity delivered												
↓ ↓ ↓ ↓ ↓ ↓ ↓ ↓ ↓ Pump does not deliver liquid												
↓ ↓ ↓ ↓ ↓ ↓ ↓ ↓ ↓ ↓												
						POSSIBLE CAUSES			POSSIBLE REMEDIES			
●	●	●	●	●		Bearings worn			Replace bearings.			
				●	●	●	Wearing ring surfaces worn.			Replace worn wear ring/surfaces.		
		●			●	●	Impeller damaged or eroded.			Replace or CONSULT FLOWSERVE for improved material selection.		
			●				Leakage under sleeve due to joint failure.			Replace joint and check for damage.		
		●	●				Shaft sleeve worn or scored or running off centre.			Check and renew defective parts.		
		●	●	●			Mechanical seal improperly installed.			Check alignment of faces or damaged parts and assembly method used.		
		●	●	●			Incorrect type of mechanical seal for operating conditions.			CONSULT FLOWSERVE.		
●	●	●	●	●			Shaft running off centre because of worn bearings or misalignment.			Check misalignment and correct if necessary. If alignment satisfactory check bearings for excessive wear.		
●	●	●	●	●			Impeller out of balance resulting in vibration.			Check and CONSULT FLOWSERVE.		
		●	●	●			Abrasive solids in liquid pumped.					
		●	●				Internal misalignment of parts preventing seal ring and seat from mating properly.					
		●	●				Mechanical seal was run dry.			Check mechanical seal condition and source of dry running and repair.		
		●	●				Internal misalignment due to improper repairs causing impeller to rub.			Check method of assembly, possible damage or state of cleanliness during assembly. Remedy or CONSULT FLOWSERVE, if necessary.		
●	●	●					Excessive thrust caused by a mechanical failure inside the pump.			Check wear condition of impeller, its clearances and liquid passages.		
	●	●					Excessive grease in ball bearings.			Check method of regreasing.		
	●	●					Lack of lubrication for bearings.			Check hours run since last change of lubricant, the schedule and its basis.		
	●	●					Improper installation of bearings (damage during assembly, incorrect assembly, wrong type of bearing etc).			Check method of assembly, possible damage or state of cleanliness during assembly and type of bearing used. Remedy or CONSULT FLOWSERVE, if necessary.		
	●	●					Damaged bearings due to contamination.			Check contamination source and replace damaged bearings.		
C. MOTOR ELECTRICAL PROBLEMS												
		●		●	●	●	Wrong direction of rotation.			Reverse 2 phases at motor terminal box.		
				●		●	Motor running on 2 phases only.			Check supply and fuses.		
	●	●				●	Motor running too slow.			Check motor terminal box connections and voltage.		

8 SECTIONAL ARRANGEMENT DRAWINGS AND PARTS LISTS

8.1 Type WB

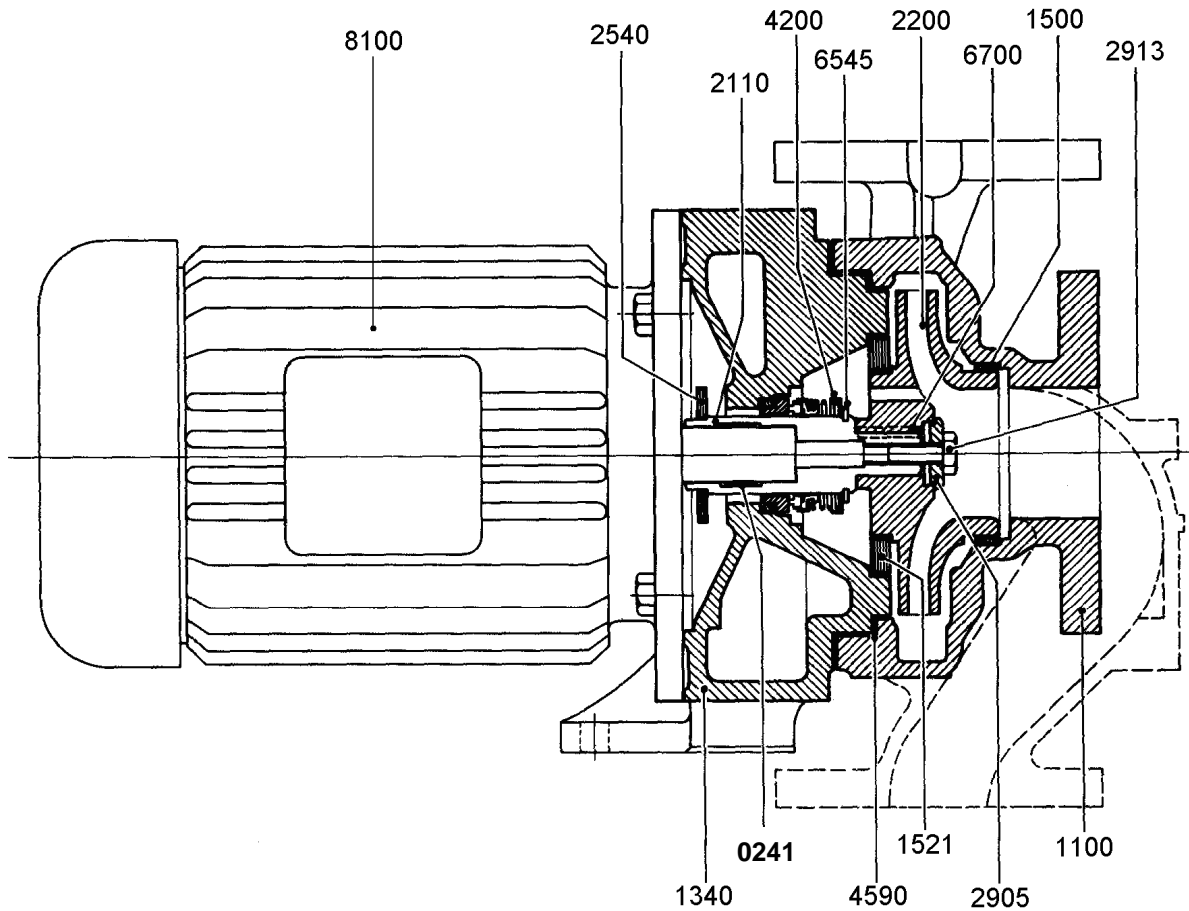


Part no.	Description	No off	Spares level †			Multiplier for multiple pumps
			S1	S2	S3	
0241	Tolerance ring	1		Yes		50%
1100	Casing	1				
1340	Adapter	1				
2110	Pump shaft	1			Yes	25%
2200	Impeller	1			Yes	25%
2540	Deflector	1		Yes		50%
2913	Impeller screw	1			Yes	25%
4200	Mechanical seal	1	Yes	Yes		50%
4590	Gasket	1	Yes	Yes		50%
6545	Outer circlip	1			Yes	50%
6570.1	Screw *	4				
6570.2	Screw *	4				
8100	Motor	1				
9322	Plate *	1				

* Not indicated on drawing.

† See section 6.4, *Recommended spare parts*.

8.2 Types WJ and WJE

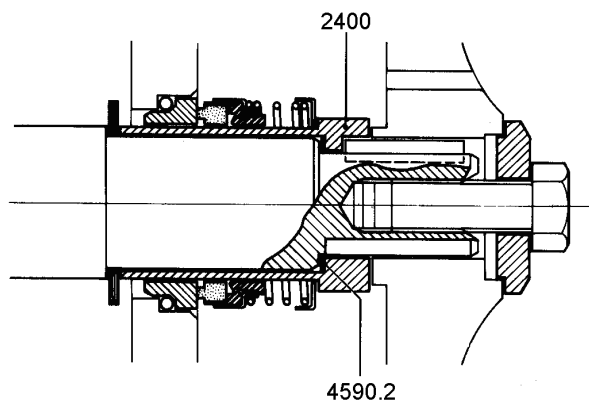


Part no	Description	No off	Spares level †			Multiplier for multiple pumps
			S1	S2	S3	
0241	Tolerance ring	1		Yes		50%
1340	Adaptor	1				
1500	Casing wear ring	1			Yes	25%
1521	Cover wear ring	1			Yes	25%
2110	Pump shaft	1			Yes	25%
2200	Impeller	1			Yes	25%
2540	Deflector	1		Yes		50%
2905	Washer	1			Yes	25%
2913	Impeller screw	1			Yes	25%
4200	Mechanical seal	1	Yes	Yes		50%
4590	Gasket	1	Yes	Yes		50%
6545	Outer circlip	1			Yes	50%
6570.1	Screw *	4 or 8 **				25%
6570.2	Screw *	4				
6700	Key	1			Yes	25%
8100	Motor	1				
9322	Plate *	1				

* Not indicated on drawing.

** Dependent on pump size.

† See section 6.4, *Recommended spare parts*.



Additional parts Type WJE pump

Part no	Description	No off	Spares level †			Multiplier for multiple pumps
			S1	S2	S3	
2400	Sleeve	1		Yes		25%
4590.2	Gasket	1		Yes		50%

† See section 6.4, *Recommended spare parts*.

8.3 General arrangement drawing

The typical general arrangement drawing and any specific drawings required by the contract will be sent to the Purchaser separately unless the contract specifically calls for these to be included into the User Instructions. If required, copies of other drawings sent separately to the Purchaser should be obtained from the Purchaser and retained with these User Instructions.

9 CERTIFICATION

Certificates determined from the Contract requirements are provided with these Instructions where applicable. Examples are certificates for CE marking, ATEX marking etc. If required, copies of other certificates sent separately to the Purchaser should be obtained from the Purchaser for retention with these User Instructions.

10 OTHER RELEVANT DOCUMENTATION AND MANUALS

10.1 Supplementary User Instruction manuals

Supplementary instruction determined from the contract requirements for inclusion into User Instructions such as for a driver, instrumentation, controller, sub-driver, seals, sealant system, mounting component etc are included under this section. If further copies of these are required they should be obtained from the purchaser for retention with these User Instructions.

Where any pre-printed set of User Instructions are used, and satisfactory quality can be maintained only by avoiding copying these, they are included at the end of these User Instructions such as within a standard clear polymer software protection envelope.

10.2 Change notes

If any changes, agreed with Flowserve Solution Group, are made to the product after its supply, a record of the details should be maintained with these User Instructions.

10.3 Additional sources of information

Reference 1:
NPSH for Rotordynamic Pumps: a reference guide, Europump Guide No. 1, Europump & World Pumps, Elsevier Science, United Kingdom, 1999.

Reference 2:
Pumping Manual, 9th edition, T.C. Dickenson, Elsevier Advanced Technology, United Kingdom, 1995.

Reference 3:
Pump Handbook, 2nd edition, Igor J. Karassik et al, McGraw-Hill Inc., New York, 1993.

Reference 4:
ANSI/HI 1.1-1.5. Centrifugal Pumps - Nomenclature, Definitions, Application and Operation.

Reference 5:
ANSI B31.3 - Process Piping.

Your Flowserve factory contact:

Flowserve Pumps
Flowserve GB Limited
Lowfield Works, Balderton
Newark, Notts NG24 3BU
United Kingdom

Telephone (24 hours) +44 1636 494 600
Sales & Admin Fax +44 1636 705 991
Repair & Service Fax +44 1636 494 833
Email newarksales@flowserve.com

Your local Flowserve representative:

*To find your local Flowserve representative please
use the Sales Support Locator System found at
www.flowserve.com*

**FLOWSERVE REGIONAL
SALES OFFICES:**

USA and Canada

Flowserve Corporation
5215 North O'Connor Blvd.,
Suite 2300
Irving, Texas 75039-5421, USA
Telephone +1 972 443 6500
Fax +1 972 443 6800

Europe, Middle East, Africa

Worthing S.P.A.
Flowserve Corporation
Via Rossini 90/92
20033 Desio (Milan), Italy
Telephone +39 0362 6121
Fax +39 0362 303 396

Latin America and Caribbean

Flowserve Corporation
6840 Wynnwood Lane
Houston, Texas 77008, USA
Telephone +1 713 803 4434
Fax +1 713 803 4497

Asia Pacific

Flowserve Pte. Ltd
10 Tuas Loop
Singapore 637345
Telephone +65 6771 0600
Fax +65 6779 4607