

# Product Catalogue 2018

Drum Pumps & Metering Systems  
Air-Operated-Double Diaphragm Pumps



**PURE**  

---

**PUMP**

The Sanitary Line

# Table of Contents

Page

SP-8600-SP-8900 . . . . .	5-6
Hygienic Assembly. . . . .	7
SP-8600-SP-8900 & SP-800SR Pump Motors . . . . .	8
SP-800SR Sanitary Series . . . . .	10
SP-800DD Sanitary Series . . . . .	12
SP-800DD Pump Motors . . . . .	14
Performance Curves . . . . .	15
Accessories . . . . .	16
Heating Jackets . . . . .	17-18
Ultra Mass Batch Control System (Electric and Air) . . . . .	19-21
Ultra Mag Batch Control System (Electric and Air) . . . . .	22-23
Flow Meter & Pump System (Electric and Air) . . . . .	24-25
AODD Sanitary Pumps . . . . .	27
AODD FDA Compliant Pumps . . . . .	28-41
AODD Sanitary Pumps . . . . .	42-47

## Industries with essential demand on hygiene

PHARMACEUTICAL



BIOTECH



COSMETIC



FOOD

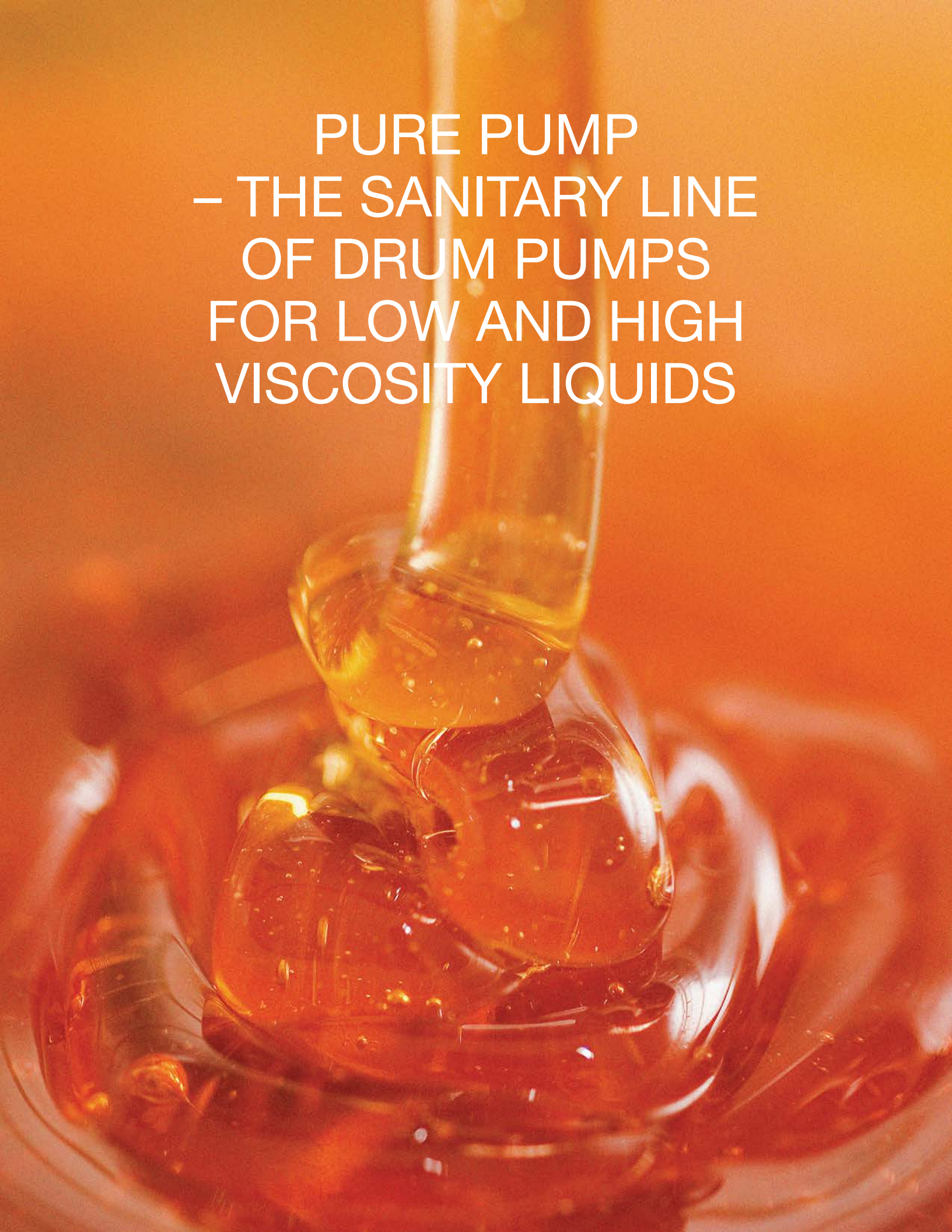


BEVERAGE



POULTRY





PURE PUMP  
– THE SANITARY LINE  
OF DRUM PUMPS  
FOR LOW AND HIGH  
VISCOSITY LIQUIDS

# APPLICATIONS



**Drums & Barrels**



**Laboratory**



**Large Storage Vessels**



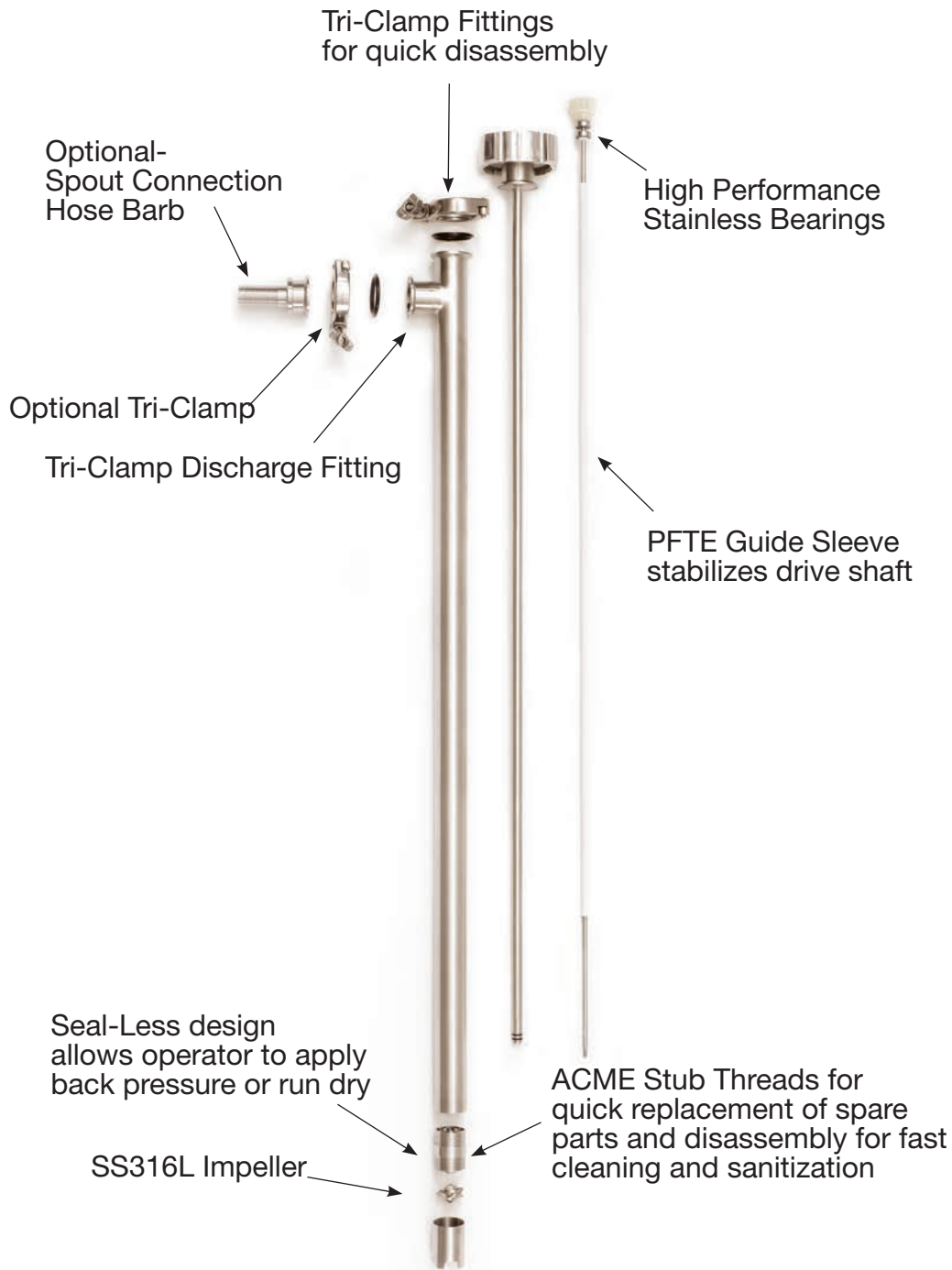
**Stainless Tanks**





# SP-8800-SP-8900 series

Hygienic Design Enables Operators To Disassemble,  
Clean and Sanitize



# SP-8600 - SP-8900 & SP-800SR | Pump Motors

## SP-280P series for SP-8600, SP-8700, SP-8800 and SP-8900 series



MODEL	ENCLOSURE	POWER	WATT	V.S.D.	SHIPPING WT kg
SP-280P	Open Drip Proof (IP44)	110-120V/1/50-60Hz	825	No	4,0
SP-280P-V	Open Drip Proof (IP44)	110-120V/1/50-60Hz	825	Yes	4,0
SP-280P-2	Open Drip Proof (IP44)	220-240V/1/50-60Hz	825	No	4,0
SP-280P-2-V	Open Drip Proof (IP44)	220-240V/1/50-60Hz	825	Yes	4,0

NOTE: V.S.D. = Variable Speed Drive

Warning: Not suitable for pumping flammable or combustible liquid. Warning: Not recommended for use with the SP-800SR Series pump.

## SP-ENC series for SP-800SR, SP-8600, SP-8700, SP-8800 and SP-8900



MODEL	ENCLOSURE	POWER	WATT	V.S.D.	SHIPPING WT kg
SP-ENC	TEFC (IP54)	110-120V/1/50-60Hz	825	No	5,7
SP-ENC-V	TEFC (IP54)	110-120V/1/50-60Hz	825	Yes	5,7
SP-ENC-2	TEFC (IP54)	220-240V/1/50-60Hz	825	No	5,7
SP-ENC-2-V	TEFC (IP54)	220-240V/1/50-60Hz	825	Yes	5,7

Warning: Not suitable for pumping flammable or combustible liquids. NOTE: V.S.D. = Variable Speed Drive

## SP-420 Serie for SP-800SR, SP-8600, SP-8700, SP-8800 and SP-8900



MODEL	ENCLOSURE	POWER	WATT	V.S.D.	WT (kg)
SP-420EX	Explosion Proof	220-240V/1/50-60Hz	600	No	7,7

See warning at bottom of page.

NOTE: V.S.D. = Variable Speed Drive

## SP-A1 for SP-8600, SP-8700, SP-8800 and SP-8900 series



MODEL	CONSUMPTION	MAXIMUM INLET PRESSURE	OUTPUT	WT kg
SP-A1	22 CFM @ 90 psi (10.4 L/sec @ 6,2 bar)	100 psi (6,8 bar)	1/2 HP (370 W)	1,2

See warning at bottom of page.

Warning: Not recommended for use with the SP-800SR Series pump.

## SP-A2 series for SP-8600, SP-8700, SP-8800 and SP-8900 series



MODEL	CONSUMPTION	MAXIMUM INLET PRESSURE	OUTPUT	WT kg
SP-A2	28 CFM @ 90 psi (13.2 L/sec @ 6,2 bar)	100 psi (6,8 bar)	3/4 HP (560 W)	1,5
SP-A2TL (trigger lock)	28 CFM @ 90 psi (13.2 L/sec @ 6,2 bar)	100 psi (6,8 bar)	3/4 HP (560 W)	1,5

See warning at bottom of page.

Warning: Not recommended for use with the SP-800SR Series pump.

WARNING: Pumping of flammables or combustible liquids can generate a static electric discharge, causing fire or explosion resulting in injury or death. Read and understand operating instructions before starting this unit. Follow all federal, state and local safety codes including NFPA 30 - NFPA77. Prior to connecting to air supply, install bond and ground wires and check continuity of each wire. A meter reading of one ohm or less is required for safe liquid transfer. Use only metallic drum, receiving vessel and metallic pump when pumping flammables. Air motors are not recognized under any current Underwriter's Laboratory listing program. Consult a qualified engineer for suitability for use in a hazardous area or on flammables.



# APPLICATIONS



# SP-800SR | Sanitary Series

Standard's 800SR series pumps are engineered for transferring viscous food products, pharmaceutical ingredients and cosmetic lotions from drums, ToteTanks® and kettles. The progressive cavity design delivers a continuous flow with little product degradation. Maximum viscosity is 25,000 cps (mPAS).



## Common Applications

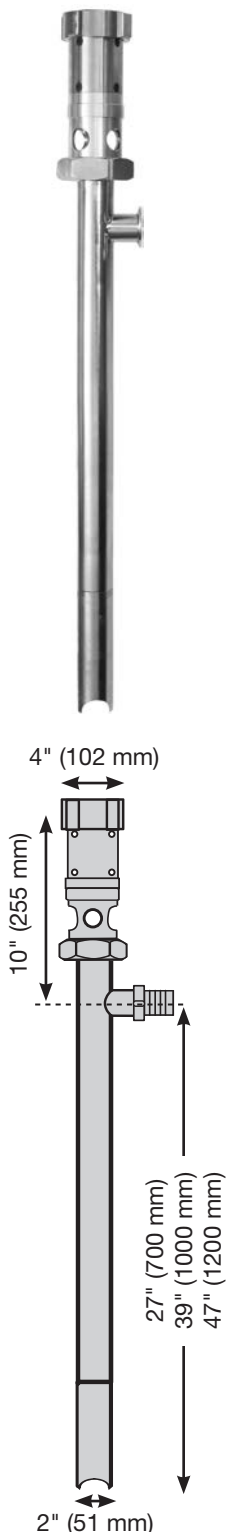
- Pie Fillings
- Juice Concentrates
- Sauces
- Chocolate
- Lotions
- Shampoo

## Features

- Hygienic Design
- Easy To Clean & Maintain
- Gentle Product Treatment
- Continuous Flow

## Technical Data

Design:	Progressive Cavity / Positive Displacement
Immersion Lengths:	27" (700 mm) 39" (1000 mm) 47" (1200 mm) Please add 5" (127 mm) to the immersion length of pump for the 752 series pumps.
Wetted Components:	Tube & Rotor Assembly: 316 Stainless Steel Stator Material: Teflon or White Buna
Pump Finish:	32 Ra
Motor Drives:	SP-ENC, Variable Speed, SP-420EX Explosion Proof
Inlet/Discharge Size:	2" (51 mm) / 1.5" (38 mm) Hose Barb not included optional 1.25" (32 mm) hose barb
Maximum Viscosity:	• 751 & 752 Series 25,000 cps (mPAS) • 1851 Series 10,000 cps (mPAS)
Maximum Discharge Pressure:	• 751 & 1851 Series 6 bar • 752 Series 12 bar
Maximum Flow Rate:	• 1851 Series 45 LPM based on water • 751 & 752 Series 26 LPM based on water
Duty Cycle:	Intermittent (30 Min. Intervals)
Pump Weight:	7,7 kg - 11 kg Varies upon model, does not include motor weight
Maximum Temperature:	• Teflon Stator 148° C • Buna Stator 85° C
Maximum Solid Size:	.25" (6 mm)
Mechanical Seal:	SiC/Viton/SiC
Stator Materials:	Teflon or White Buna
Bag Liner Series:	Optional pump intake design available for applications with hygienic liners



## Motor Drive

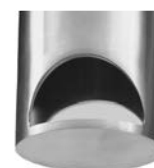


SP-ENC Series



SP-420EX

## Bag Liner Series Pump Intake



- ⚠ Warning: Not suitable for pumping flammable or combustible liquids.
- 📌 Note: Pump is constructed with FDA compliant materials.
- 📌 Note: Refer to page 8 for motor information.

# Specialized Pump Intake Design

Engineered for Applications with Hygienic Liners

Bag Liner Series  
Pump Intake



# SP-800DD | Sanitary Series

Standard's 800DD series pumps are engineered for transferring viscous food products, pharmaceutical ingredients and cosmetic lotions from drums, ToteTanks® and kettles. The progressive cavity design delivers a continuous, smooth flow with little product degradation. Maximum viscosity is 100,000 cps (mPAS).

## Common Applications

- Pie Fillings
- Juice Concentrates
- Honey
- Chocolate
- Lotions
- Shampoo

## Features

- Hygienic Design
- Easy to Clean & Maintain
- Gentle Product Treatment
- Continuous Flow



## Motor Drives



Electric

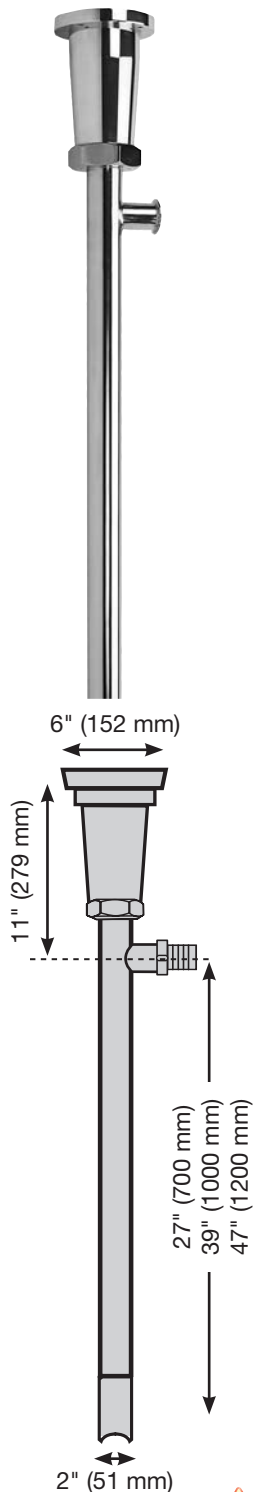


Stainless Steel



Air Motor

## Bag Liner Series Pump Intake



## Technical Data

Design:	Progressive Cavity / Positive Displacement
Immersion Lengths:	27" (700 mm) 39" (1000 mm) 47" (1200 mm) Please add 5" (127 mm) to the immersion length of pump for the 752 series pumps
Wetted Components:	Tube & Rotor Assembly: 316 Stainless Steel Stator Material: Teflon or White Buna
Pump Finish:	32 Ra
Motor Drives:	IEC motor and Air motor
Inlet/Discharge Size:	2" (51 mm) / 1.5" (38 mm) hose barb not included optional 1.25" (32 mm) hose barb
Maximum Viscosity:	<ul style="list-style-type: none"> <li>• 751 &amp; 752 Series 100,000 cps (mPAS)</li> <li>• 1851 Series 10,000 cps (mPAS)</li> </ul>
Maximum Discharge Pressure:	<ul style="list-style-type: none"> <li>• 751 &amp; 1851 Series 6 bar</li> <li>• 752 Series 12 bar</li> </ul>
Maximum Flow Rate:	<ul style="list-style-type: none"> <li>• 1851 Series 45 LPM based on water</li> <li>• 751 &amp; 752 Series 26 LPM based on water</li> </ul>
Pump Weight:	8,7 kg - 11,8 kg Varies upon model, does not include motor weight
Maximum Temperature:	<ul style="list-style-type: none"> <li>• Teflon Stator 148° C</li> <li>• Buna Stator 85° C</li> </ul>
Maximum Solid Size:	.25" (6 mm)
Mechanical Seal:	SiC/Viton/SiC
Stator Materials:	Teflon or White Buna
Mounting Flange:	B14/C140-160
Bag Liner Series:	Optional pump intake design available for applications with hygienic liners

⚠ Note: Pump is constructed with FDA compliant materials.  
Note: Refer to page 14 for motor information.

# Specialized Pump Intake Design

Engineered for Applications with Hygienic Liners

Bag Liner Series  
Pump Intake



# SP-800DD | Pump Motors



## Electric Motor, IP55 — 190 / 380 // 230 / 460/ 3 / 50-60 Hz

MODEL	HP	KW	RPM	ENCLOSURE	FRAME	FLANGE	WT kg
SP-502	0.75	,55	750-900	TEFC (IP55)	90LC	B14/C140	25,5
SP-512	1	,75	750-900	TEFC (IP55)	100LC	B14/C160	25,5
SP-522	1.5	1,1	750-900	TEFC (IP55)	100LC	B14/C160	35,5
0017	Motor wiring for 230V/3/50-60 Hz which includes 570, 571, 572, 8708						



## Electric Motor, IP56 — 190 / 380 // 230 / 460/ 3 / 50-60 Hz

MODEL	HP	KW	RPM	ENCLOSURE	FRAME	FLANGE	WT kg
SP-504	0.75	0,55	750-900	Washdown (IP56)	90LC	B14/C140	25,5
SP-514	1	0,75	750-900	Washdown (IP56)	100LC	B14/C160	27,7
SP-524	1.5	1,1	750-900	Washdown (IP56)	100LC	B14/C160	36,3
0017	Motor wiring for 230V/3/50-60 Hz which includes parts 570, 571, 572, 8708						



## Electric Motor, Stainless Steel — 190 / 380 // 230 / 460/ 3 / 50-60 Hz

MODEL	HP	KW	RPM	ENCLOSURE	FRAME	FLANGE	WT kg
SP-508	0.75	0,55	750-900		90LC	B14/C140	29,5
SP-518	1	0,75	750-900		100LC	B14/C160	47,2
SP-528	1.5	1,1	750-900		100LC	B14/C160	52,2
0017	Motor wiring for 230V/3/50-60 Hz which includes parts 570, 571, 572, 8708						

## Air Motor

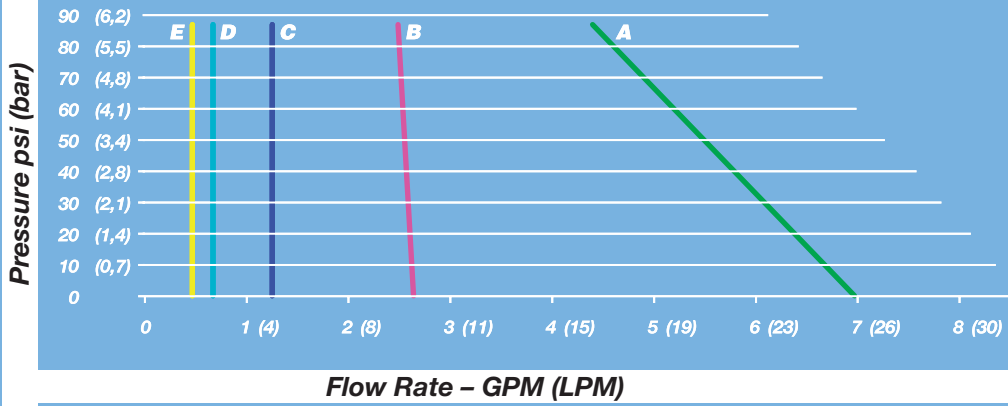


MODEL	HP	kW	RPM	AIR CONSUMPTION	FRAME	Air CONN. Inch ( mm)	WT Kg
SP-A4FP	2	1,5	300-900	80 CFM @ 100 psi 37 L/Sec @ 7 bar	IEC#72/D71	1/4" (6,35)	5,0
SP-A6FP	4	3,0	300-900	130 CFM @ 100 psi 65 L/Sec @ 7 bar	IEC#72/D80	1/2" (12,7)	11,0
SP-A8FP	5	3,7	300-900	170 CFM @ 100 psi 80 L/Sec @ 7 bar	IEC#72/D90	1/2" (12,7)	12,0

Note: Motors are intended for use with SP-800DD pump on page 12.

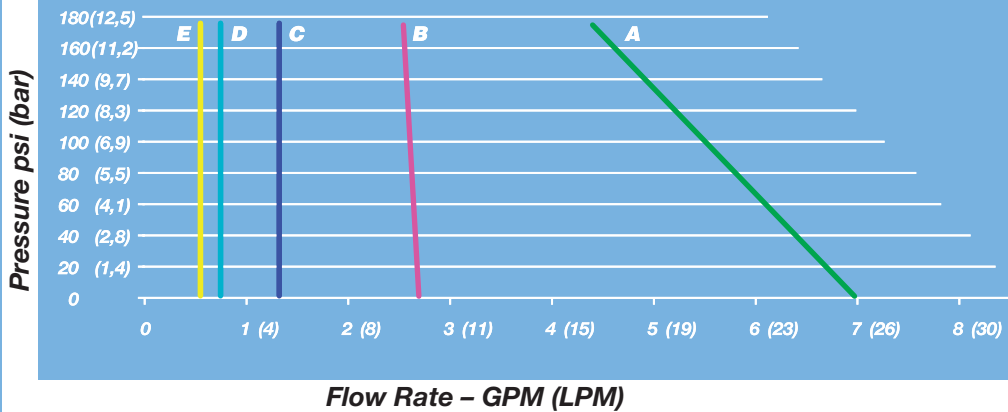
# Performance Curves

## 751 Series Pumps



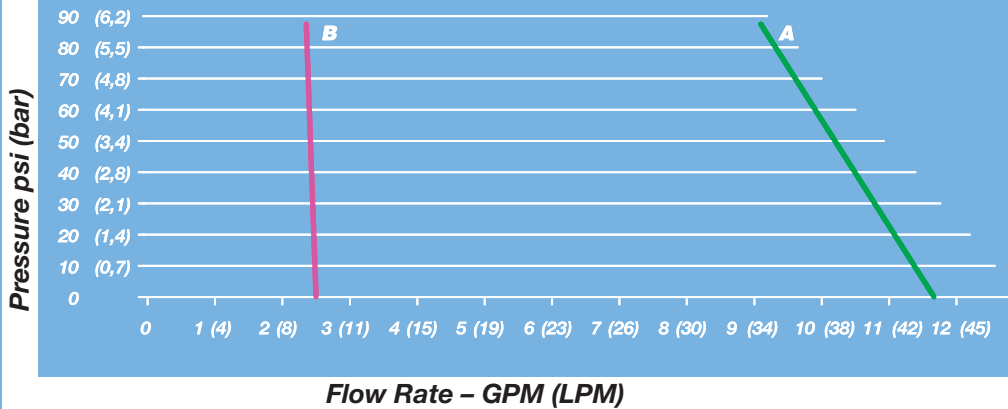
	Viscosity cps (mPas)	Electric HP (KW)	Air HP (KW)
A	1	.75 (.55)	2 (1.5)
B	10,000	.75 (.55)	2 (1.5)
C	30,000	1 (.75)	4 (3)
D	60,000	1 (.75)	4 (3)
E	100,000	1.5 (1.1)	5 (3.7)

## 752 Series Pumps



	Viscosity cps (mPas)	Electric HP (KW)	Air HP (KW)
A	1	.75 (.55)	2 (1.5)
B	10,000	.75 (.55)	2 (1.5)
C	30,000	1 (.75)	4 (3)
D	60,000	1 (.75)	4 (3)
E	100,000	1.5 (1.1)	5 (3.7)

## 1851 Series Pumps



	Viscosity cps (mPas)	Electric HP (KW)	Air HP (KW)
A	1	.75 (.55)	2 (1.5)
B	10,000	.75 (.55)	2 (1.5)

### Technical Notes

- Performance Curves are intended to be used as a guide only as individual results may vary.
- Pump Stator Elastomers (Teflon or Buna) may vary performance.
- Performance Curves were created using a 900 RPM motor. Reducing motor speed will decrease pump performance. Do NOT increase motor speed above 900 RPM's.
- Pump Curves were created with a Newtonian Polymer (Viscosity remains constant regardless of shear). Non-Newtonian materials (viscosity does not remain constant with shearing) may vary performance.

**⚠ WARNING:** Do NOT increase motor speed above 900 RPM's. Failure to comply will result in pump failure and possible injury.

## DISCHARGE HOSE CLAMP

PART NUMBER	DESCRIPTION
9038	Malleable Iron Two Bolt Clamp Gripping Ridges, Reinforced Lugs Hose Size from 1-48/64" to 2-3/64" (44,50 mm to 52 mm) Torque Value: 27 ft. lbs. (3,75 kg/m) for Proper Attachment



## Goodyear Blue Food Flexwing Hose

PART NUMBER	DESCRIPTION
9037-A 1"	Premium foodhose for discharge:
9037-A 1½"	Inner Liner: NBR 3 tube, oil and fat resistant. Twin spring steel spiral. Outer liner: CR, blue, oil and fat resistant cover, high flexibility. Conforms to FDA-3A and USDA standards. Branding: "Goodyear Blue Food Flexwing NBR3PN10BAR FDA 3A US"



Nom. ID in/mm	Nom. OD in/mm	Max WP Bar	Bend Radius in/mm	Vacuum Bar	Weight kg-m	Temp Range C°
1,0/25,4	1,46/37	10	3,9/100	0,9	0,850	-30 to +93
1,5/38	1,96/50	10	6,1/155	0,9	1,340	-30 to +93

## PUMP HANGER

PART NUMBER	DESCRIPTION
8430	Pump Hanger Provides a Convenient Solution for Attaching the Pump to a Hoist System



## HAND CLAMP, SPOUT, TUBE WIPER and TRI-CLAMP

PART NUMBER	DESCRIPTION
9005	Hand Clamp, SS316 Construction, Engineered to Vertically Stabilize Pump type SP-8600 in Open Top Containers
9004	Sanitary Spout, SS316L, 1,5" (38mm) O.D, 30" (760mm) length
9009	Sanitary Pump Tube Wiper, Food Grade Buna, 50mm I.D. suitable for SP-800 series
9009-01	Sanitary Pump Tube Wiper, Food Grade Buna, 37mm I.D. suitable for SP-8600-SP-8900
833	Tri-Clamp, 1,5", SS316
834	Hose Barb 1,25" (32mm)
835	Hose Barb 1,5" (38mm)





# Heating Jackets for 200 ltr. drums and 1000 ltr. IBCs

Standard Pump Europe's heating jackets are the right solution for keeping media at the required temperature. They are made of water resistant materials and are IP 40 classified (IP54 on request). The heating jackets come with quick release buckles for easy installation and removal. All our heating jackets are supplied with 3 meters of braided power cable and fitted with a 0 to +90°C capillary thermostat. The heating jackets are suitable for metal, PP, PE drums and containers



## Heating Jackets for 200 ltr. drums

Part no.: SPE-0200-00  
Power: 230V AC - 1x1200 W  
Dimensions: 1990x800mm

Part no.: SPE-0200-01  
Power: 230V AC - 1x530 W  
Dimensions: 1990x450mm

High temperature heating Jacket for 200 ltr. drums

Part no.: SPE-0200-02  
Power: 230V AC - 1x1200 W  
Dimensions: 1990x800mm



## Heating Jackets for 1000 ltr. IBCs

Part no.: SPE-1050-02  
Heating Zones: 2  
Power: 230V AC - 2x1000 W  
Dimensions: 4400x1000mm

Part no.: SPE-1050-03  
Heating Zones: 3  
Power: 230V AC - 3x1000 W  
Dimensions: 4400x1000mm

Part no.: SPE-1050-LID (to be ordered separately)  
Insulation lid for IBC



## Base heater for 200 ltr. drums

Part no.: SPE-0200-BASE  
Diameter: 550mm  
Thermostat: 0-150° C  
Power: 230V - 900W

# AtEX Heating Jackets for 200 ltr. drums and 1000 ltr. IBCs

Standard Pump Europe's heating jackets for the AtEX are the right solution for heating and maintaining media at the required temperature. They are made of water resistant materials and are IP 65 classified. The AtEX heating jackets come with quick release buckles for easy installation and removal. The heating jackets are suitable for metal and PE drums and containers. Complete PTFE-(Teflon®) coating for maximum long-life cycle and highest reliability against acids, solvents etc.



## AtEX Heating Jackets for 200 ltr. drums

---

Part no.: SPE-0200-EX  
Power: 230V AC - 1x1050 W  
Heating element: Self-limiting  
Temperature range: To be specified  
Dimensions: 1990x800mm

Part no.: SPE-0200-LIDEX (to be ordered separately)  
Insulation lid for 200 ltr. drums



## AtEX Heating Jackets for 1000 ltr. IBCs

---

Part no.: SPE-1000-EX  
Heating Zones: 2  
Power: 230V AC - 1x1500 W  
Heating element: Self-limiting  
Temperature range: To be specified  
Dimensions: 4400x1000mm

Part no.: SPE-1000-LIDEX (to be ordered separately)  
Insulation lid for IBC

## Technical Data

---

Heating element: Self-limiting  
Ambient temperature: -55° C - +55° C  
Directive and classification: AtEx 94/9EC – II 3G Ex e II T5

# METERING SYSTEMS



# Ultra Mass Series ELECTRIC| Batch Control System

- for non-conductive liquids -

**Standard's Ultra Mass Batch Control** is an innovative system designed for dosing applications from drums, ToteTanks® and kettles. Simply dial in your desired volume or weight and the Ultra Mass BCS will deliver a preset dose of product – virtually hands free. The system's components are 3A certified insuring the highest quality product suitable for the Food Processing, Pharmaceutical, Dairy and Bio-Tech industries.



## Common Applications

- Sauces
- Creams
- Dairy Products
- Shampoo & Conditioner
- Pharmaceutical Ingredients
- Pie Fillings

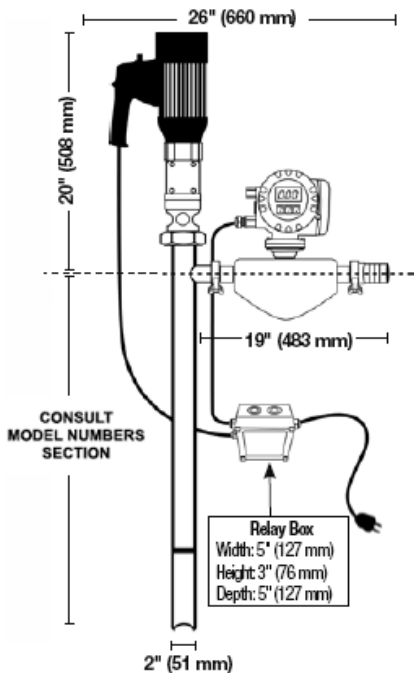
## Features

- 3A (TPV) Certified Components
- FDA Compliant Materials
- Low Shear Design
- Easy to Clean
- Tri-Clamp Fittings
- Interface Capabilities: HART, PROFIBUS, PA/DP, FOUNDATION FIELDBUS
- Suitable for Conductive & Non-Conductive Solutions
- Quick Setup Menus for In-field Commissioning

## Technical Specifications

Design:	Progressive Cavity / Positive Displacement	
Immersion Length:	39" (1000 mm), 44" (1120mm) upon request	
Wetted Components:	316SS, PTFE and SiC	
Pump Finish:	32 Ra	
Motor Drive:	SP-ENC (IP54), Variable Speed	
Inlet/Discharge Size:	2" (51 mm) / 1.5" (38 mm)	
Viscosity Range:	P/N: 8500 (110v), 8501 (220v)	1-10,000 cps (mPAS)
	P/N: 8513 (110v), 8514 (220v)	10,000-25,000 cps (mPAS)
Maximum Discharge Pressure:	P/N: 8500 (110v), 8501 (220v)	3 bar based on water
	P/N: 8513 (110v), 8514 (220v)	6 bar based on water
Maximum Flow Rate:	P/N: 8500 (110v), 8501 (220v)	30,2 LPM based on water
	P/N: 8513 (110v), 8514 (220v)	11,3 LPM based on water
Duty Cycle:	Intermittent (30 Min. Intervals)	
System Weight:	26 kg	
Maximum Temperature:	85° C	
Maximum Solid Size:	.25" (6 mm)	
Mechanical Seal:	SiC / Viton / SiC	
Metering Principle:	Coriolis Mass Flow Meter Technology	
Check Valve:	316 Stainless Steel	
System Accuracy:	+/- .30% of Reading	
Bag Liner Series:	Optional pump intake design available for applications with hygienic liners	

### Bag Liner Series Pump Intake



**Note:** Pump and meter are constructed with FDA compliant materials.

# Ultra Mass Series AIR | Batch Control System

- for non-conductive liquids -

**Standard's Ultra Mass Batch Control** is an innovative system designed for dosing applications from drums, ToteTanks® and kettles. Simply dial in your desired volume or weight and the Ultra Mass BCS will deliver a preset dose of product – virtually hands free. The system's components are 3A certified insuring the highest quality product suitable for the Food Processing, Pharmaceutical, Dairy and Bio-Tech industries.



## Common Applications

- Sauces
- Creams
- Dairy Products
- Shampoo & Conditioner
- Pharmaceutical Ingredients
- Pie Fillings

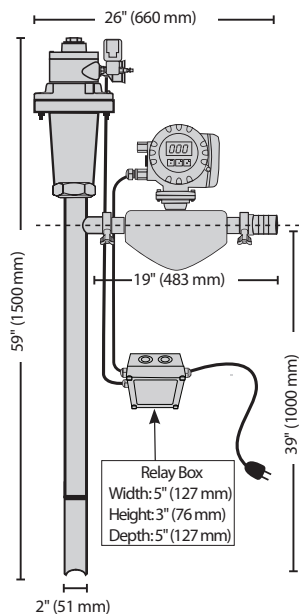
## Features

- 3A (TPV) Certified Components
- FDA Compliant Materials
- Low Shear Design
- Easy to Clean
- Tri-Clamp Fittings
- Interface Capabilities: HART, PROFIBUS, PA/DP, FOUNDATION FIELDBUS
- Suitable for Conductive & Non-Conductive Solutions
- Quick Setup Menus for In-field Commissioning

## Technical Specifications

Design:	Progressive Cavity / Positive Displacement		
Immersion Length:	39" (1000 mm), 44" (1120mm) upon request		
Wetted Components:	316SS & PTFE		
Pump Finish:	32 Ra		
Motor Drive:	SP-A4FP (1,5kW) AIR		
Inlet/Discharge Size:	2" (51 mm) / 1.5" (38 mm)		
Viscosity Range:	P/N: 8540 (110v), 8541 (220v)	1-10,000 cps (mPAS)	
	P/N: 8550 (110v), 8551 (220v)	10,000-25,000 cps (mPAS)	
Maximum Discharge Pressure:	P/N: 8540 (110v), 8541 (220v)	3 bar	based on water
	P/N: 8550 (110v), 8551 (220v)	6 bar	based on water
Maximum Flow Rate:	P/N: 8540 (110v), 8541 (220v)	30,2 LPM based on water	
	P/N: 8550 (110v), 8551 (220v)	11,3 LPM based on water	
Duty Cycle:	Intermittent (30 Min. Intervals)		
System Weight:	26 kg		
Maximum Temperature:	85° C		
Maximum Solid Size:	.25" (6 mm)		
Mechanical Seal:	SiC / Viton / SiC		
Metering Principle:	Coriolis Mass Flow Meter Technology		
Check Valve:	316 Stainless Steel		
System Accuracy:	+/- .30% of Reading		
Bag Liner Series:	Optional pump intake design available for applications with hygienic liners		

### Bag Liner Series Pump Intake



**Note:** Pump and meter are constructed with FDA compliant materials.

# Ultra Mag Series ELECTRIC | Batch Control System

- for conductive liquids -

**Standard's Sanitary Batch Control System** is engineered for dosing and filling operations from drums, ToteTanks® and kettles - virtually hands free. This system utilizes a non-invasive Full Bore Magmeter for flow and volume measurement. Simply dial in desired volume, press enter, and the Ultra Mag delivers a preset volume of material. The system is an excellent solution for conductive food products, pharmaceutical ingredients and cosmetic materials.

## Common Applications

- Lotions
- Chocolate
- Juice Concentrates
- Brine
- Shampoo
- Pie Fillings
- Pharmaceuticals
- Tomato Paste



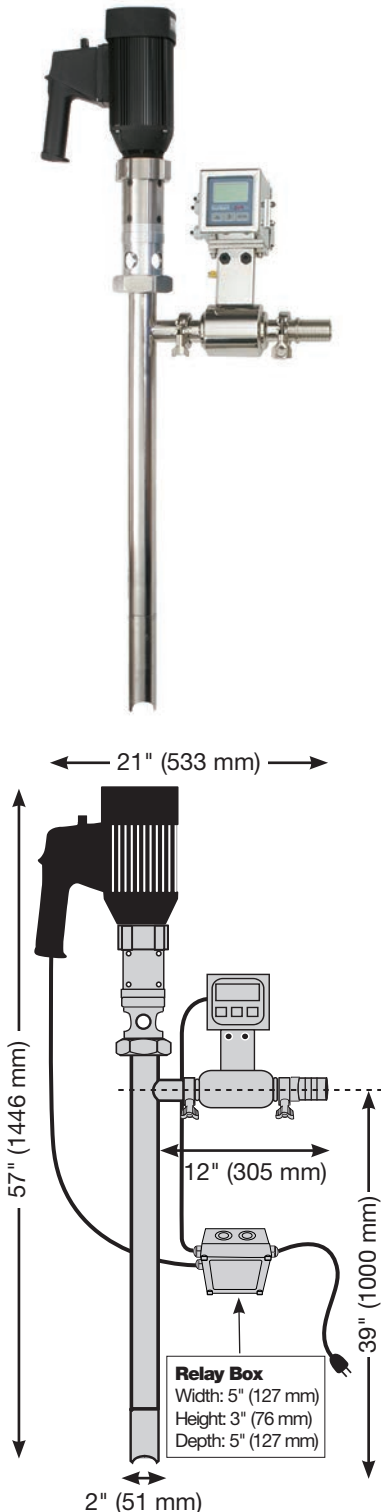
## Features

- Large Graphic Display
- .05% +/- Repeatability
- Non-Invasive Measurement
- Max. Viscosity 25,000 cps (mPAS)
- Standard or Metric Units of Measure
- 3A Certification
- Tri-Clamp Fittings
- Low Shear Design
- Easy to Clean Design
- Multi-language Display
- Measures Volume

## Technical Specifications

Design:	Progressive Cavity / Positive Displacement	
Immersion Length:	39" (1000 mm), 44" (1120mm) upon request	
Wetted Components:	316 SS & PTFE	
Pump Finish:	32 Ra	
Motor Drive:	SP-ENC (IP54), Variable Speed	
Inlet/Discharge Size:	1.5" (38 mm)	
Viscosity Range:	P/N: 8300 (110v), 8301 (220v)	1-10,000 cps (mPAS)
	P/N: 8313 (110v), 8314 (220v)	10,000-25,000 cps (mPAS)
Maximum Discharge Pressure:	P/N: 8300 (110v), 8301 (220v)	3 bar based on water
	P/N: 8313 (110v), 8314 (220v)	6 bar based on water
Maximum Flow Rate:	P/N: 8300 (110v), 8301 (220v)	30,2 LPM based on water
	P/N: 8313 (110v), 8314 (220v)	11,3 LPM based on water
Duty Cycle:	Intermittent (30 Min. Intervals)	
System Weight:	24 Kg	
Maximum Temperature:	100° C	
Maximum Solid Size:	.25" (6 mm)	
Mechanical Seal:	SiC / Viton / SiC	
Metering Principle:	Full Bore Mag Flow Meter	
Check Valve:	316 Stainless Steel	
System Accuracy:	+/- 0.2% of reading (+/- .5% Repeatability)	
Conductivity:	System requires 5 micro-semans (µS/cm) of conductivity	
Bag Liner Series:	Optional pump intake design available for applications with hygienic liners	

### Bag Liner Series Pump Intake



**Note:** Pump and meter are constructed with FDA compliant materials.

# Ultra Mag Series AIR | Batch Control System

- for conductive liquids -

**Standard's Sanitary Batch Control System** is engineered for dosing and filling operations from drums, ToteTanks® and kettles - virtually hands free. This system utilizes a non-invasive Full Bore Magmeter for flow and volume measurement. Simply dial in desired volume, press enter, and the Ultra Mag delivers a preset volume of material. The system is an excellent solution for conductive food products, pharmaceutical ingredients and cosmetic materials.



## Common Applications

- Lotions
- Chocolate
- Juice Concentrates
- Brine
- Shampoo
- Pie Fillings
- Pharmaceuticals
- Tomato Paste

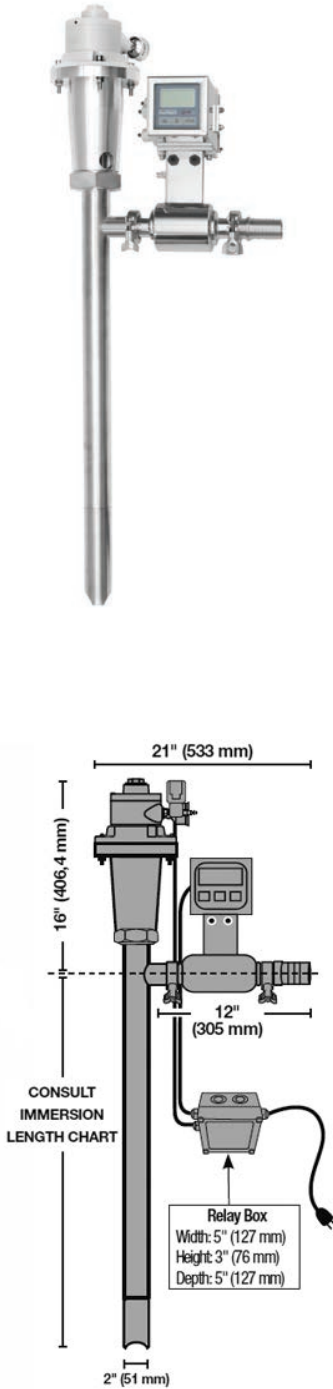
## Features

- Large Graphic Display
- .05%+/- Repeatability
- Non-Invasive Measurement
- Max. Viscosity 25,000 cps (mPAS)
- Standard or Metric Units of Measure
- 3A Certification
- Tri-Clamp Fittings
- Low Shear Design
- Easy to Clean Design
- Multi-language Display
- Measures Volume

## Technical Specifications

Design:	Progressive Cavity / Positive Displacement	
Immersion Length:	39" (1000 mm), 44" (1120mm) upon request	
Wetted Components:	316 SS & PTFE	
Pump Finish:	32 Ra	
Motor Drive:	SP-A4FP (1,5kW) AIR	
Inlet/Discharge Size:	1.5" (38 mm)	
Viscosity Range:	P/N: 8340 (110v), 8341 (220v)	1-10,000 cps (mPAS)
	P/N: 8350 (110v), 8351 (220v)	10,000-25,000 cps (mPAS)
Maximum Discharge Pressure:	P/N: 8340 (110v), 8341 (220v)	3 bar based on water
	P/N: 8350 (110v), 8351 (220v)	6 bar based on water
Maximum Flow Rate:	P/N: 8340 (110v), 8341 (220v)	30,2 LPM based on water
	P/N: 8350 (110v), 8351 (220v)	11,3 LPM based on water
Duty Cycle:	Intermittent (30 Min. Intervals)	
System Weight:	24 Kg	
Maximum Temperature:	100° C	
Maximum Solid Size:	.25" (6 mm)	
Mechanical Seal:	SiC / Viton / SiC	
Metering Principle:	Full Bore Mag Flow Meter	
Check Valve:	316 Stainless Steel	
System Accuracy:	+/- 0.2% of reading (+/- .5% Repeatability)	
Conductivity:	System requires 5 micro-semans (µS/cm) of conductivity	
Bag Liner Series:	Optional pump intake design available for applications with hygienic liners	

### Bag Liner Series Pump Intake



**Note:** Pump and meter are constructed with FDA compliant materials.

# Flow Meter & Pump System ELECTRIC

**Standard's Flow Meter & Pump System** is engineered to dispense and meter materials from drums, ToteTanks® and kettles. The system includes a 3A Sanitary Transfer Pump and a 3A Turbine Flow Meter. The meter offers a truly hygienic design and accurate performance. A two-piece design offers operators to quickly disassemble and clean internal components. In addition, the unique design eliminates the need for internal locking rings. The proven Flow Meter & Pump System is an excellent choice for metering low viscosity liquids.



## Common Applications

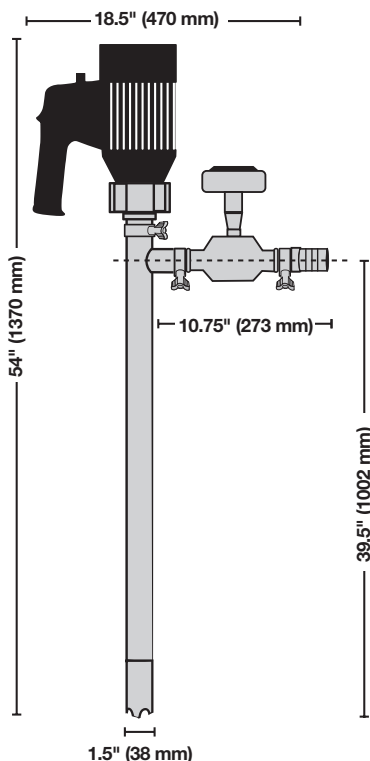
- Milk
- Brine Solutions
- Beer
- Filtered Juice
- Water
- Filtered Wine

## Features

- Tri-Clamp Fittings
- Turbine Paddle Wheel
- Easy to Clean Design
- 3A Certification
- Viscosity to 100 cps (mPAS)
- Remote Mount Meter Display

## Technical Specifications

Pump Design:	Centrifugal / Turbine Meter
Immersion Length:	39" (1000 mm), 47" (1200mm) upon request
Wetted Components:	316SS, PTFE & BUNA
Pump Finish:	32 Ra
Motor Drive:	SP-ENC (IP54), Variable Speed
Inlet/Discharge Size:	1" (25mm) / 1.5" (38mm) Tri-Clamp
Maximum Viscosity:	100 cps m/PAS
Maximum Flow Range:	121 LPM based on water
Duty Cycle:	Continuous
System Weight:	11 Kg
Maximum Temperature:	121° C
System Accuracy:	+/- 0.5% (+/- .10% Repeatability)
Meter Power Supply:	12 v/DC



**Note:** Pump and meter are constructed with FDA compliant materials.



# Flow Meter & Pump System AIR

**Standard's Flow Meter & Pump System** is engineered to dispense and meter materials from drums, ToteTanks® and kettles. The system includes a 3A Sanitary Transfer Pump and a 3A Turbine Flow Meter. The Meter's two-piece design enables operators to quickly disassemble and clean internal components. In addition, the unique design eliminates the need for internal locking rings. The proven Flow Meter & Pump System is an excellent choice for metering low viscosity liquids.



## Common Applications

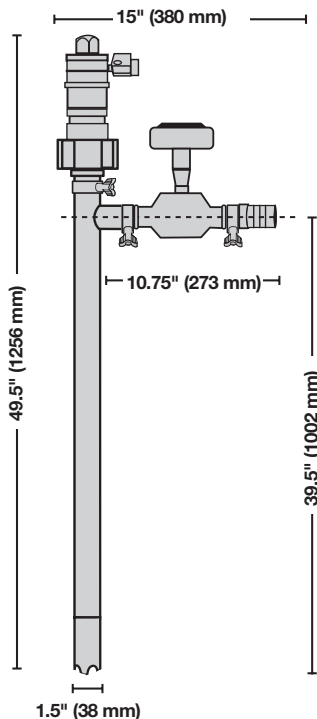
- Milk
- Brine Solutions
- Beer
- Filtered Juice
- Water
- Filtered Wine

## Features

- Tri-Clamp Fittings
- Turbine Paddle Wheel
- Easy to Clean Design
- 3A Certification
- Viscosity to 100 cps (mPAS)
- Remote Mount Meter Display

## Technical Specifications

Pump Design:	Centrifugal /Turbine Meter
Immersion Length:	39" (1000 mm), 47" (1200mm) upon request
Wetted Components:	316SS, PTFE & BUNA
Pump Finish:	32 Ra
Motor Drive:	SP-A1
Inlet/Discharge Size:	1" (25mm) / 1.5" (38mm) Tri-Clamp
Maximum Viscosity:	100 cps m/PAS
Maximum Discharge Pressure:	0,9 bar
Maximum Flow Range:	83 LPM based on water
Duty Cycle:	Continious
System Weight:	7 Kg
Maximum Temperature:	121° C
System Accuracy:	+/- 0.5% (+/- .10% Repeatability)
Meter Power Supply:	12 v/DC



**Note:** Pump and meter are constructed with FDA compliant materials.

# SANITARY

Pure Pump - the Sanitary Line of drum pumps and motors manufactured by Standard Pump, Inc., USA is the perfect solution for any task of pumping fluids and pastes used in the food and pharmaceutical industries.

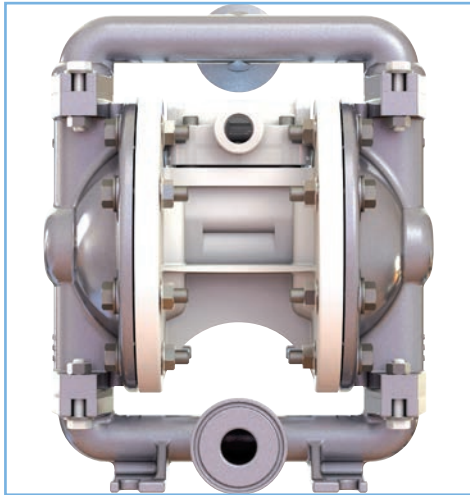
The Pure Pump ranges include stainless steel centrifugal pumps and stainless steel progressive cavity pumps for fluids/pastes of up to 100.000 cps (mPas) viscosity. The drum pumps are available in various immersion lengths and with a selection of different electric and pneumatic motors.

Centrifugal pumps as well as progressive cavity pumps can be supplied with basic Flow Meters or as integrated Batch Control Systems.

The Pure Pump line of drum pumps and motors as well as the Pure Pump Series of air-operated-double diaphragm (AODD) are distributed by national distributors located in most European countries. The Pure Pump distributors service their customers in the form of technical advice and fast supply from their stock of drum pumps and motors, supported by a European back-up stock located in Denmark.

# Pure Pump Series

air-operated-double diaphragm (AODD) – sanitary pumps for pharmaceuticals, food products and personal care



FDA Compliant Pump



Sanitary Pump



**Pure Pump Series** AODD pumps are available in different sizes and configurations – suitable for countless applications in the food and pharmaceutical industries.

**Pure Pump Series** AODD pumps - made of FDA-compliant materials designed for sanitary applications.

**Pure Pump Series** AODD pumps - available in size 0,5" to 3" and flow rates up to 886 LPM.

**Pure Pump Series** AODD pumps - wetted sections are made of SS316 and for the Sanitary Line highly polished SS316L (32Ra) is used.

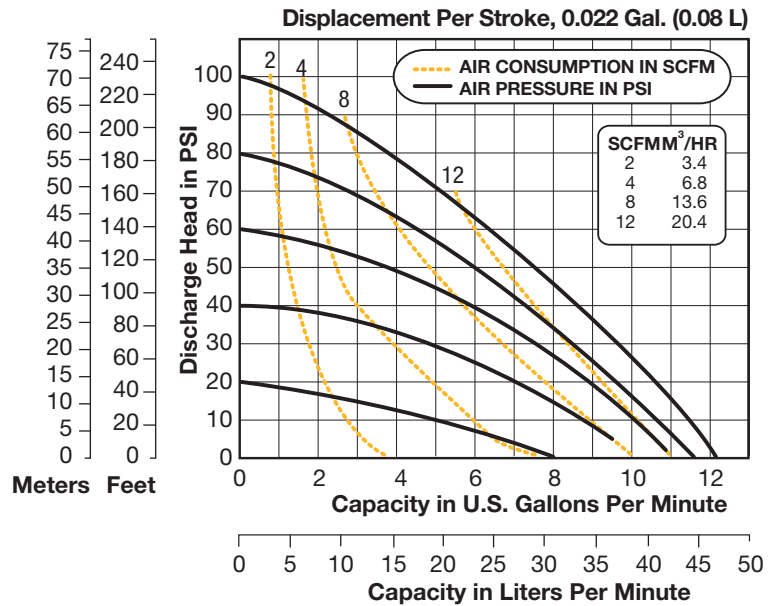
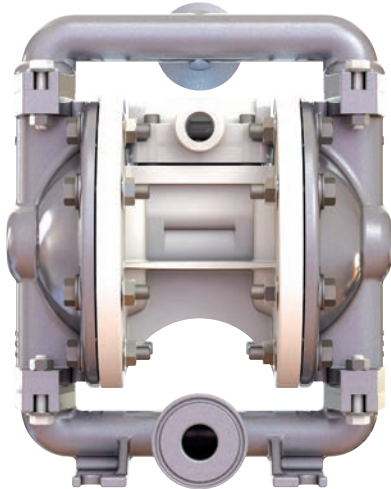
**Pure Pump Series** AODD pumps - available with PTFE or Santoprene diaphragm.

For further details please contact your local Pure Pump distributor or Standard Pump Europe, E-mail: [info@pure-pump.eu](mailto:info@pure-pump.eu)

# Pure Pump Series

## FDA compliant AODD Pumps

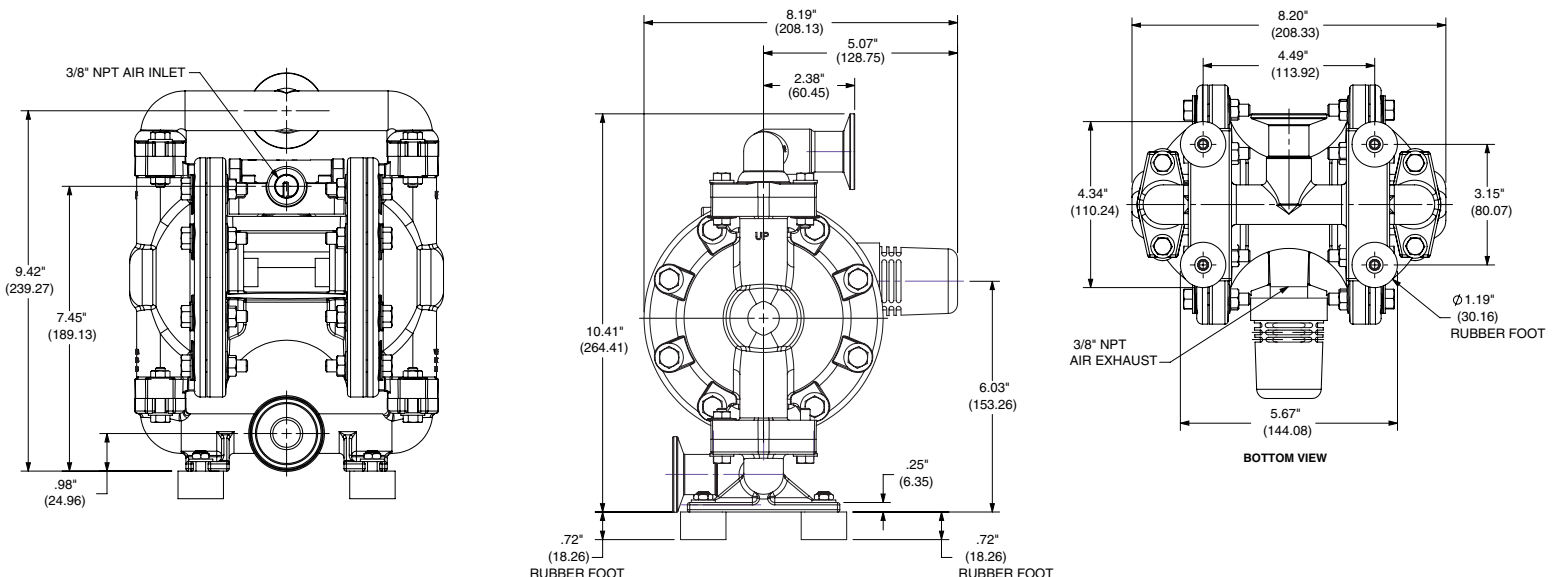
### SPFP05PPS – 1/2"



## Technical Specifications

**Max Flow** ..... 45,4 LPM  
**Max Air Supply or Liquid Pressure** ... 100 psig (6,9 bar)  
**Max Particle Size (Dia.)** ..... 1/16" (1,6 mm)  
**Suction Lift** ..... 13' Dry / 22' Wet (3,9 m / 6,7 m)  
**Temperature Range** ..... -40° C to 134° C  
**Elastomers** ..... Santoprene  
**Center Block** ..... Polypropylene  
**Wetted Section** ..... SS316

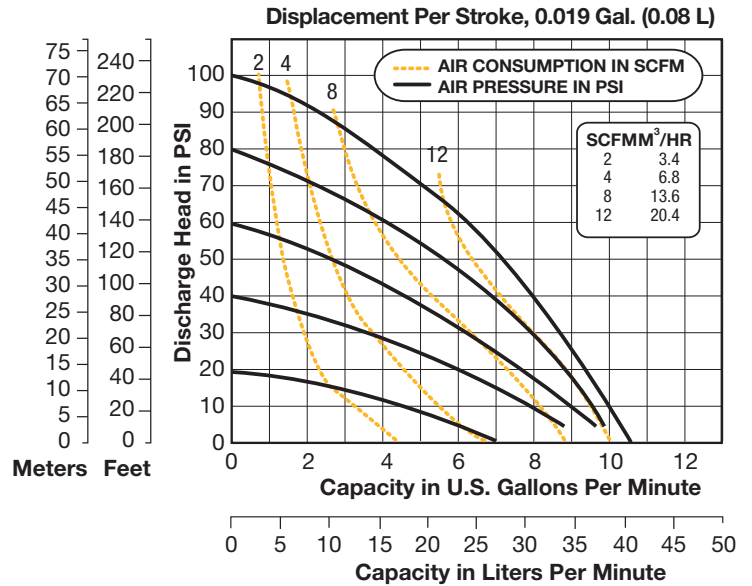
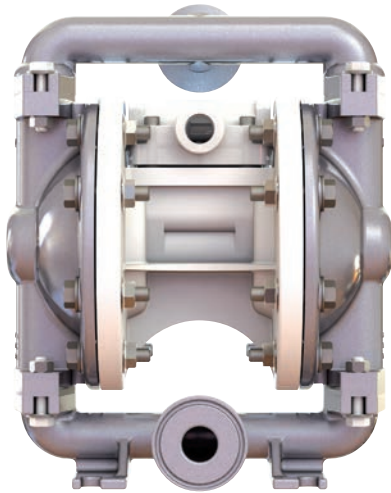
**Port Configuration** ..... Center Horizontal  
**Intake / Discharge Connection** ..... 1" Tri-Clamp®  
**Air Inlet / Exhaust** ..... 3/8" NPT  
**Noise Level** ..... 84 db (A)  
**Shipping Weight** ..... 7,7 kg  
**Wet End Kit Part Number** ..... 200-020  
**Air Valve Kit Part Number** ..... 200-001



# Pure Pump Series

## FDA compliant AODD Pumps

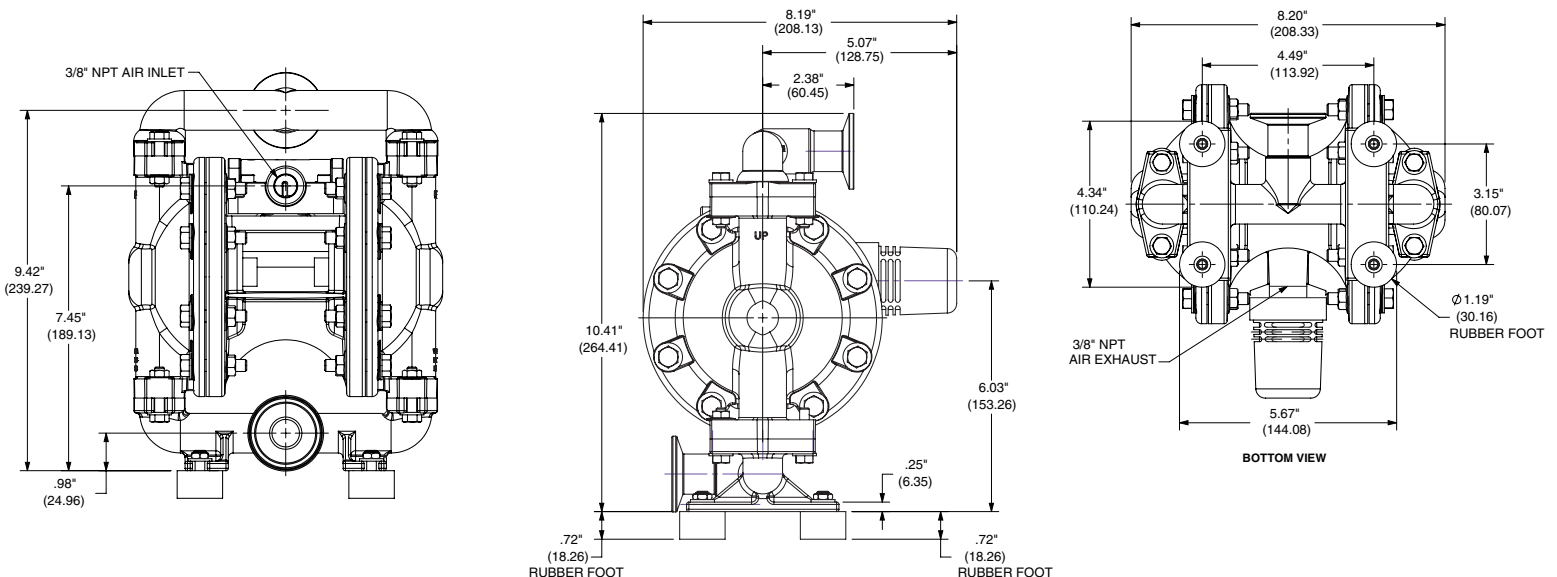
### SPFP05PPP – 1/2"



## Technical Specifications

**Max Flow** ..... 41,6 LPM  
**Max Air Supply or Liquid Pressure** ... 100 psig (6,9 bar)  
**Max Particle Size (Dia.)** ..... 1/16" (1,6 mm)  
**Suction Lift** ..... 12' Dry / 22' Wet (3,6 m / 6,7 m)  
**Temperature Range** ..... -37° C to 104° C  
**Elastomers** ..... PTFE  
**Center Block** ..... Polypropylene  
**Wetted Section** ..... SS316

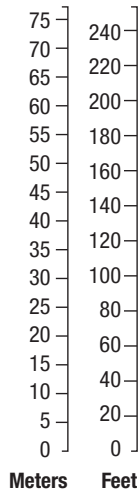
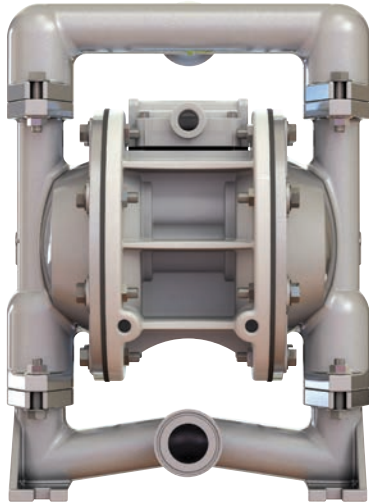
**Port Configuration** ..... Center Horizontal  
**Intake / Discharge Connection** ..... 1" Tri-Clamp®  
**Air Inlet / Exhaust** ..... 3/8" NPT  
**Noise Level** ..... 87 db (A)  
**Shipping Weight** ..... 7,7 kg  
**Wet End Kit Part Number** ..... 200-010  
**Air Valve Kit Part Number** ..... 200-001



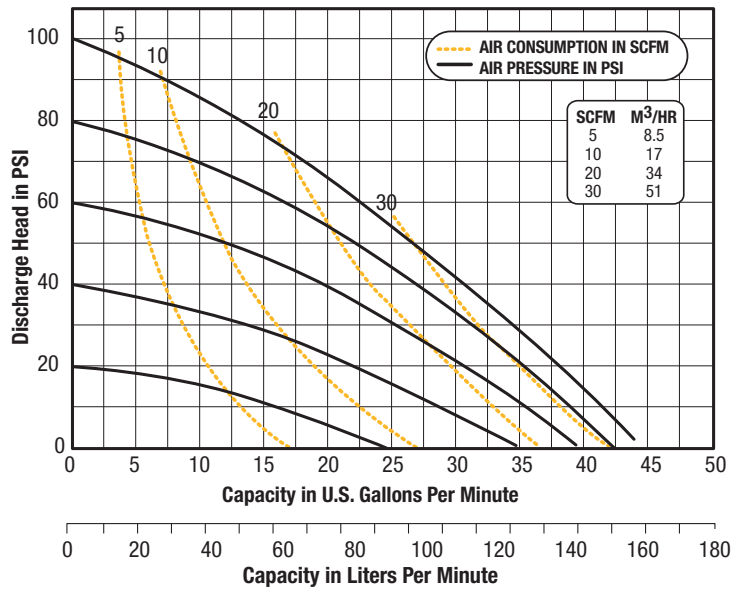
# Pure Pump Series

## FDA compliant AODD Pumps

### SPFP10PPS – 1"



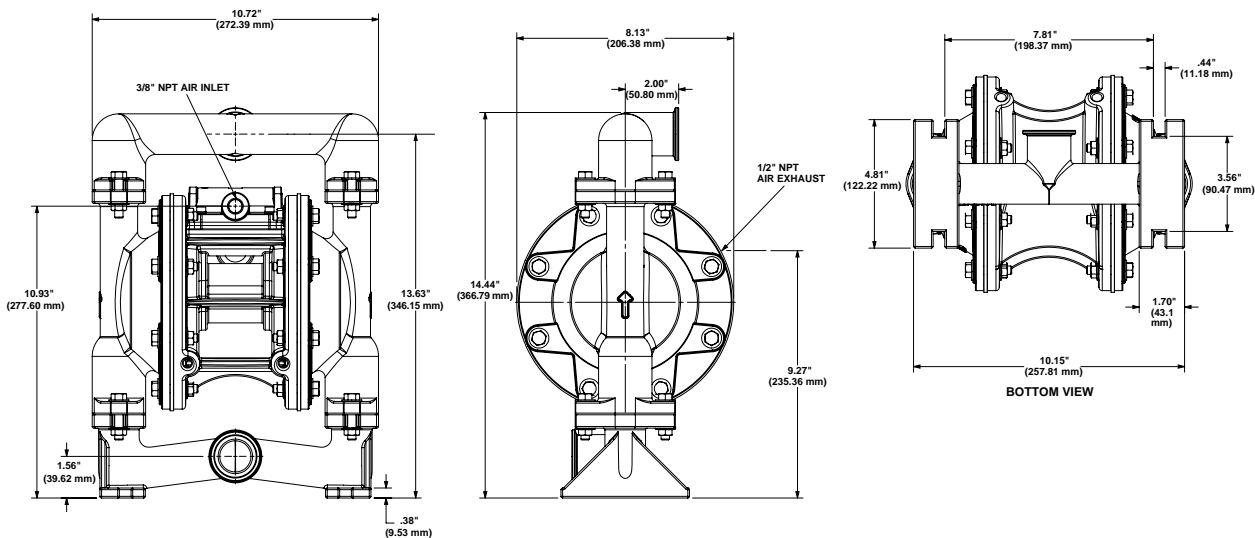
Displacement Per Stroke: 0.09 Gal (0.34 L)



## Technical Specifications

**Max Flow** ..... 174,1 LPM  
**Max Air Supply or Liquid Pressure** ... 100 psig (6,9 bar)  
**Max Particle Size (Dia.)** ..... 1/8" (3,17 mm)  
**Suction Lift** ..... 16' Dry / 31' Wet (4,9 m / 9,4 m)  
**Temperature Range** ..... -40° C to 134° C  
**Elastomers** ..... Santoprene  
**Center Block** ..... Polypropylene  
**Wetted Section** ..... SS316

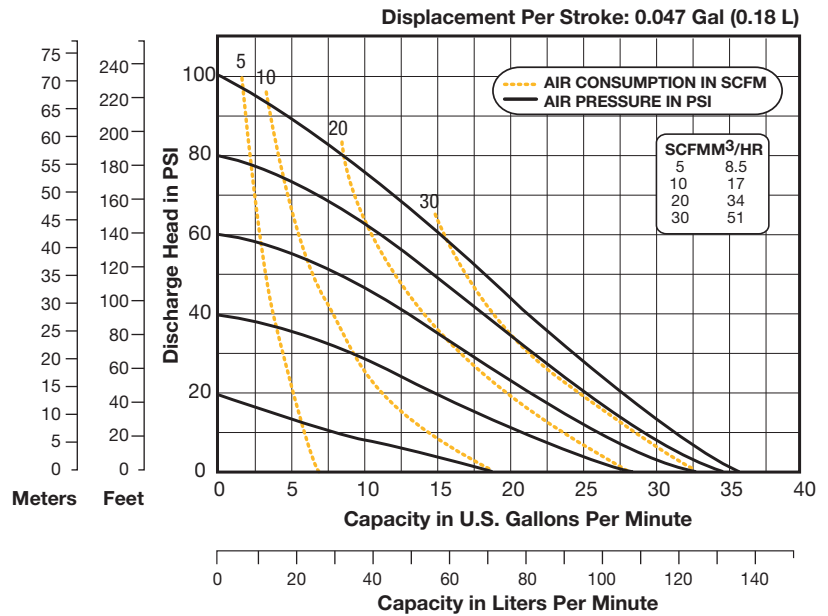
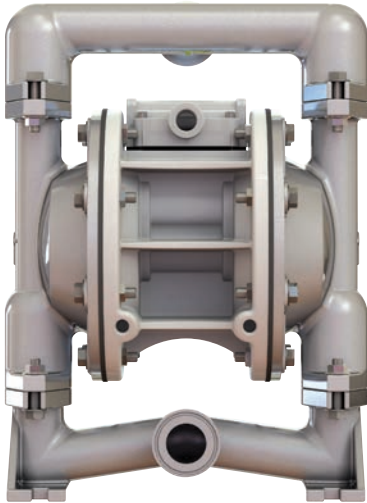
**Port Configuration** ..... Center Horizontal  
**Intake / Discharge Connection** ..... 1 1/2" Tri-Clamp®  
**Air Inlet / Exhaust** ..... 3/8" NPT / 1/2" NPT  
**Noise Level** ..... 93 db (A)  
**Shipping Weight** ..... 16,3 kg  
**Wet End Kit Part Number** ..... 200-040  
**Air Valve Kit Part Number** ..... 200-002



# Pure Pump Series

## FDA compliant AODD Pumps

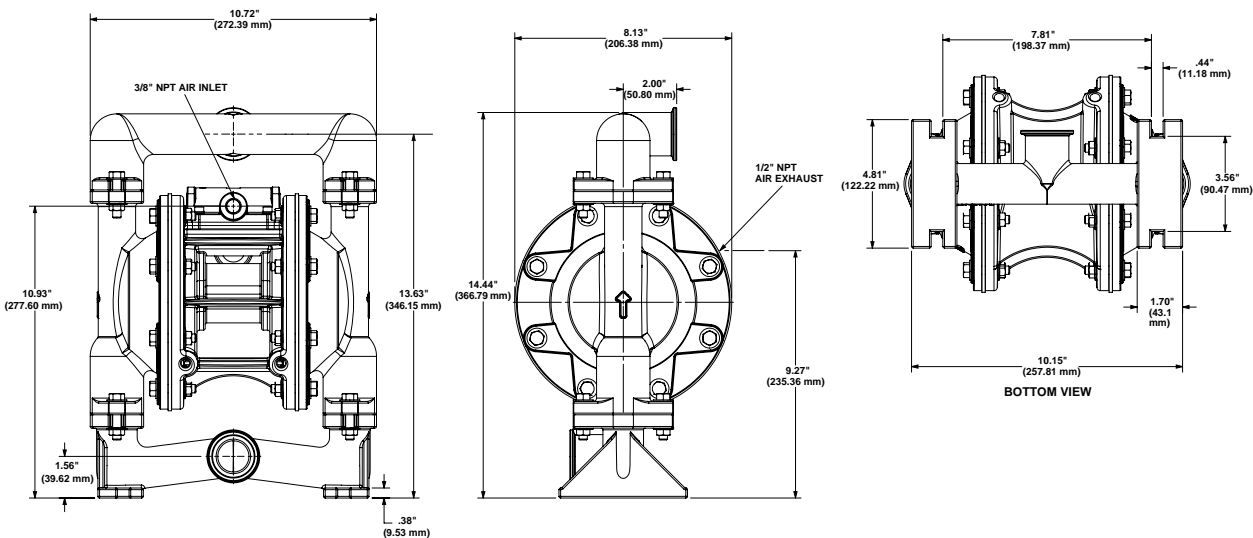
### SPFP10PPP – 1"



## Technical Specifications

**Max Flow** ..... 136,3 LPM  
**Max Air Supply or Liquid Pressure** ... 100 psig (6,9 bar)  
**Max Particle Size (Dia.)** ..... 1/8" (3,17 mm)  
**Suction Lift** ..... 11' Dry / 31' Wet (3,4 m / 9,4 m)  
**Temperature Range** ..... -37° C to 104° C  
**Elastomers** ..... PTFE  
**Center Block** ..... Polypropylene  
**Wetted Section** ..... SS316

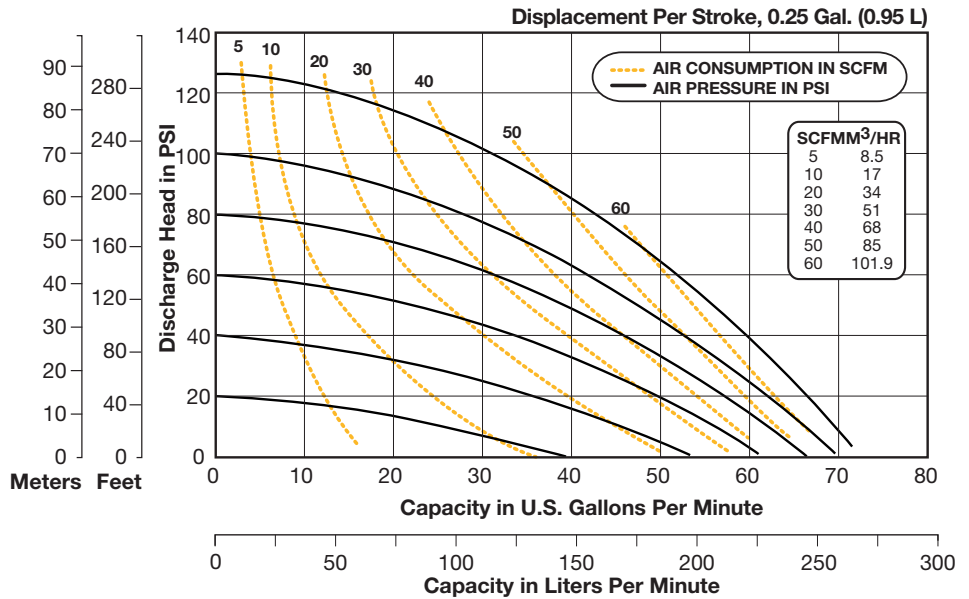
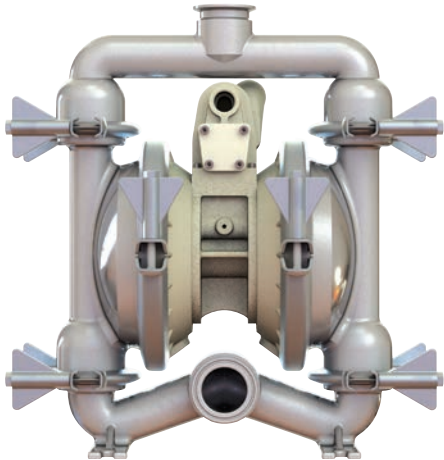
**Port Configuration** ..... Center Horizontal  
**Intake / Discharge Connection** ..... 1½" Tri-Clamp®  
**Air Inlet / Exhaust** ..... 3/8" NPT / 1/2" NPT  
**Noise Level** ..... 96 db (A)  
**Shipping Weight** ..... 16,3 kg  
**Wet End Kit Part Number** ..... 200-030  
**Air Valve Kit Part Number** ..... 200-002



# Pure Pump Series

## FDA compliant AODD Pumps

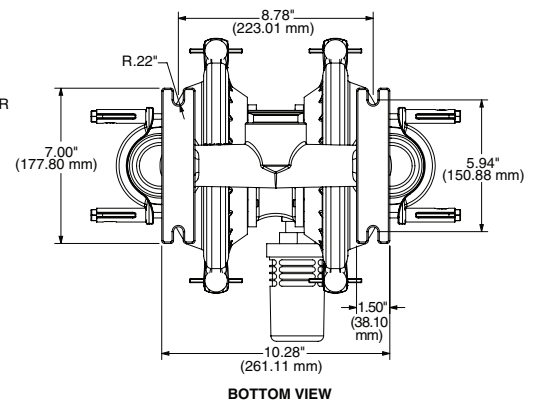
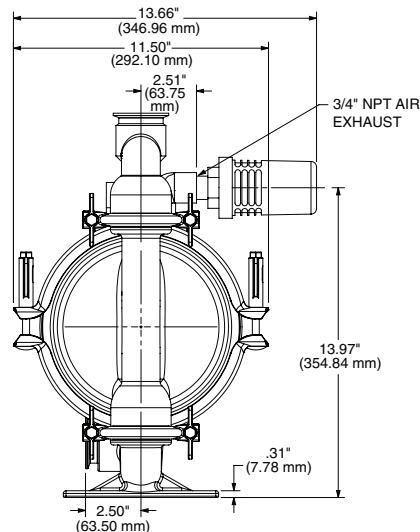
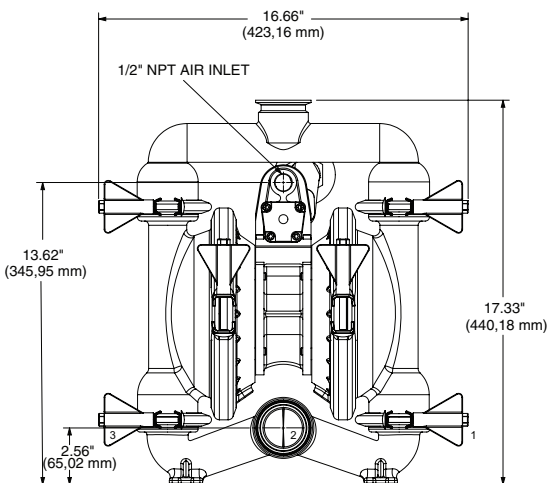
### SPFP15NPS – 1½"



## Technical Specifications

**Max Flow** ..... 268 LPM  
**Max Air Supply or Liquid Pressure** ... 110 psig (7,6 bar)  
**Max Particle Size (Dia.)** ..... 3/16" (4,76 mm)  
**Suction Lift** ..... 15' Dry / 25' Wet (4,57 m / 7,62 m)  
**Temperature Range** ..... -40° C to 134° C  
**Elastomers** ..... Santoprene  
**Center Block** ..... Nickel Plated Aluminum  
**Wetted Section** ..... SS316

**Port Configuration** ... Center Horizontal / Center Vertical  
**Intake / Discharge Connection** ..... 2" Tri-Clamp®  
**Air Inlet / Exhaust** ..... 1/2" NPT / 3/4" NPT  
**Noise Level** ..... 101 db (A)  
**Shipping Weight** ..... 25,85 kg  
**Wet End Kit Part Number** ..... 200-060  
**Air Valve Kit Part Number** ..... 200-003

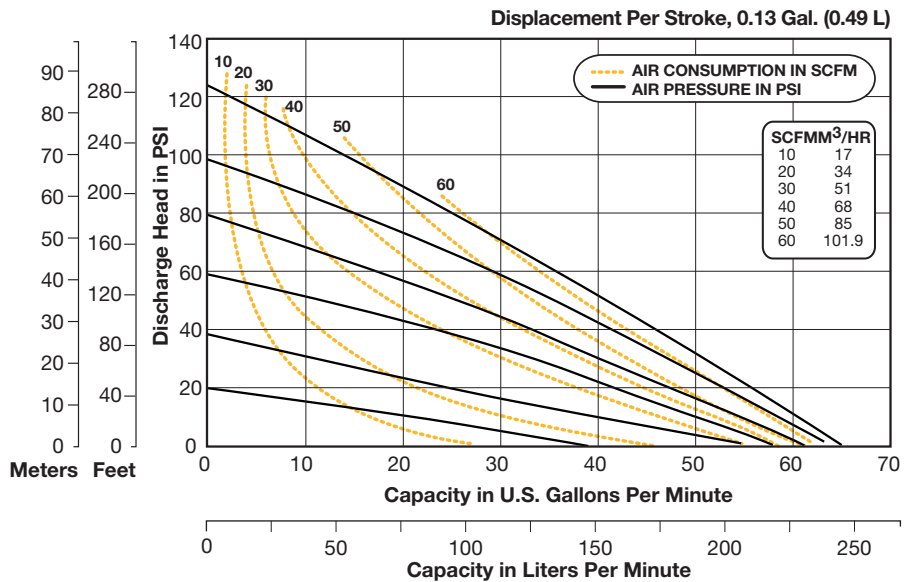
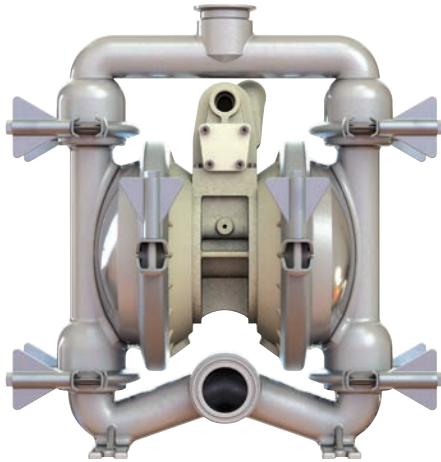




# Pure Pump Series

## FDA compliant AODD Pumps

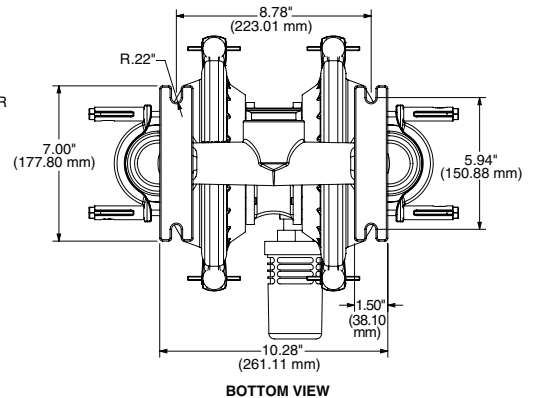
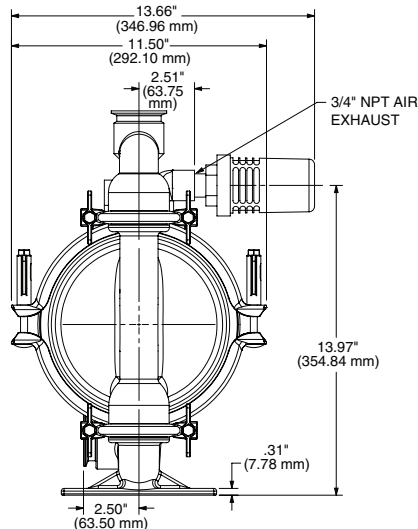
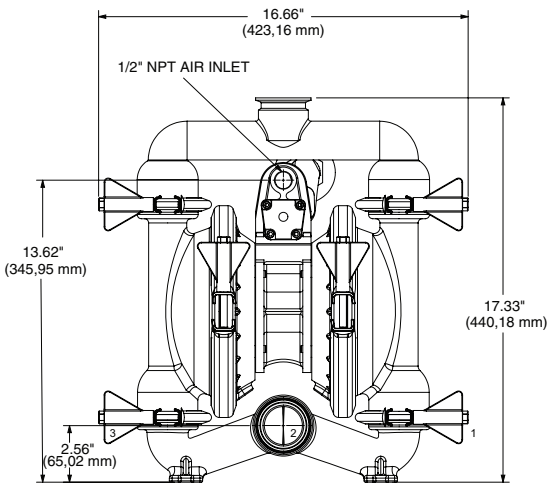
### SPFP15NPP – 1½"



## Technical Specifications

**Max Flow** . . . . . 246 LPM  
**Max Air Supply or Liquid Pressure** . . . 110 psig (7,6 bar)  
**Max Particle Size (Dia.)** . . . . . 3/16" (4,76 mm)  
**Suction Lift** . . . . . 15' Dry / 25' Wet (4,57 m / 7,62 m)  
**Temperature Range** . . . . . -37° C to 104° C  
**Elastomers** . . . . . PTFE  
**Center Block** . . . . . Nickel Plated Aluminum  
**Wetted Section** . . . . . SS316

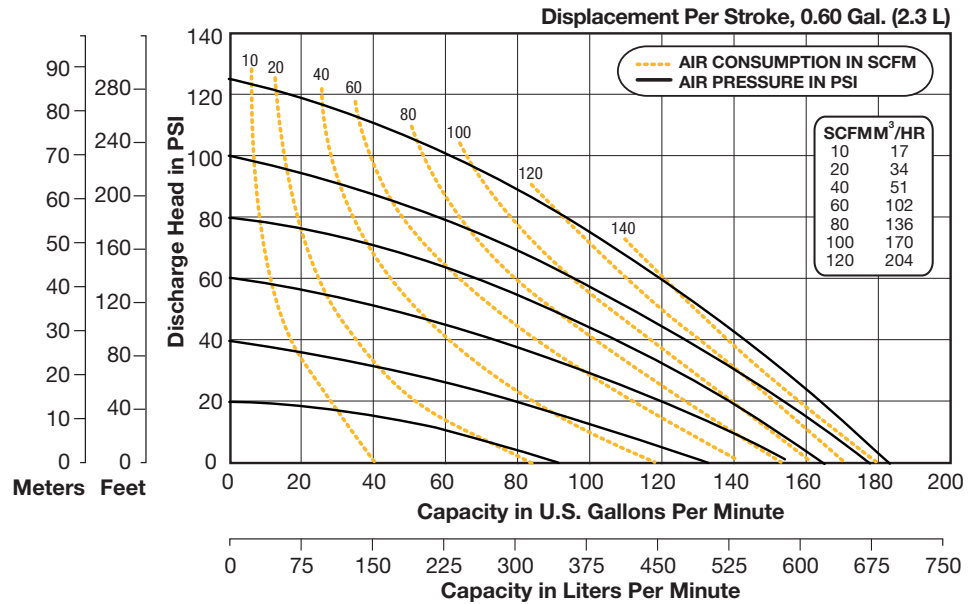
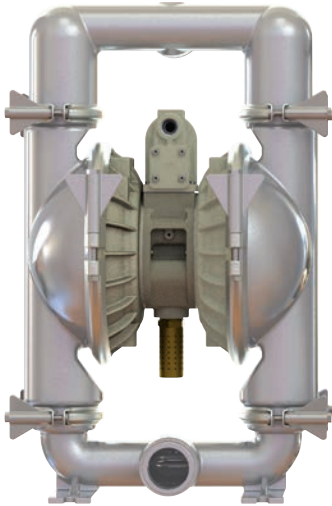
**Port Configuration** . . . Center Horizontal / Center Vertical  
**Intake / Discharge Connection** . . . . . 2" Tri-Clamp®  
**Air Inlet / Exhaust** . . . . . ½" NPT / ¾" NPT  
**Noise Level** . . . . . 101 db (A)  
**Shipping Weight** . . . . . 25,85 kg  
**Wet End Kit Part Number** . . . . . 200-050  
**Air Valve Kit Part Number** . . . . . 200-003



# Pure Pump Series

## FDA compliant AODD Pumps

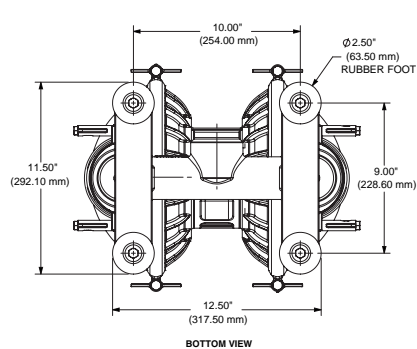
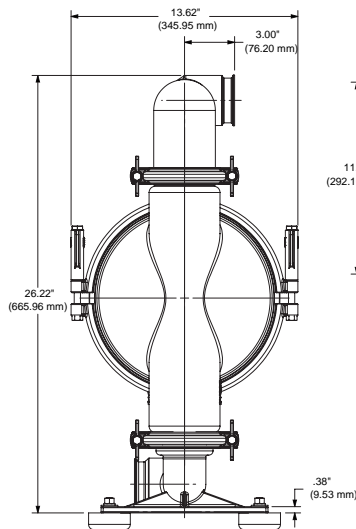
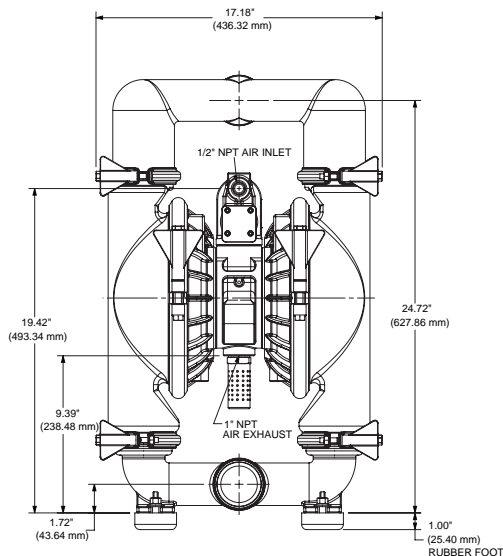
### SPFP20NPS – 2"



## Technical Specifications

**Max Flow** ..... 700 LPM  
**Max Air Supply or Liquid Pressure** ... 125 psig (8,6 bar)  
**Max Particle Size (Dia.)** ..... 1/4" (6,35 mm)  
**Suction Lift** ..... 17' Dry / 32' Wet (5,1 m / 9,5 m)  
**Temperature Range** ..... -40° C to 134° C  
**Elastomers** ..... Santoprene  
**Center Block** ..... Nickel Plated Aluminum  
**Wetted Section** ..... SS316

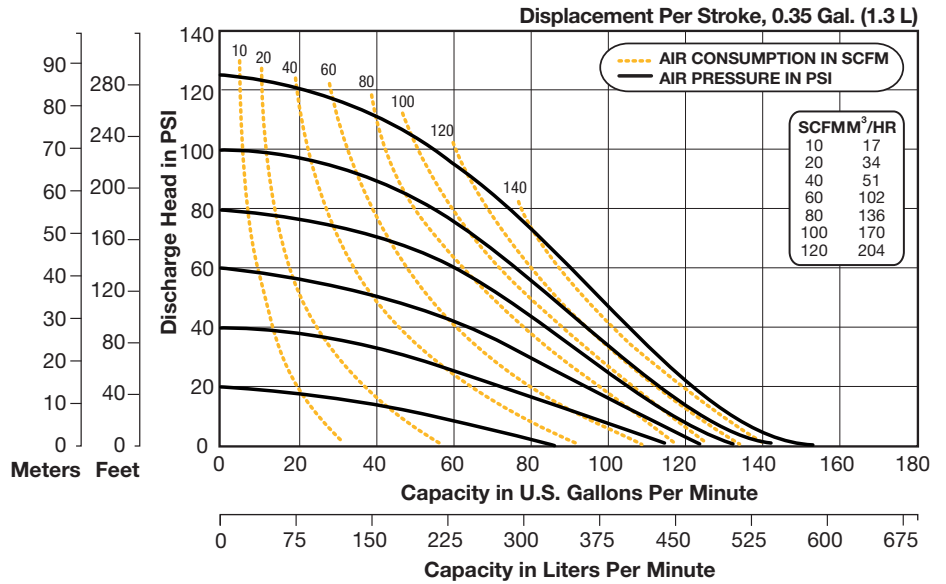
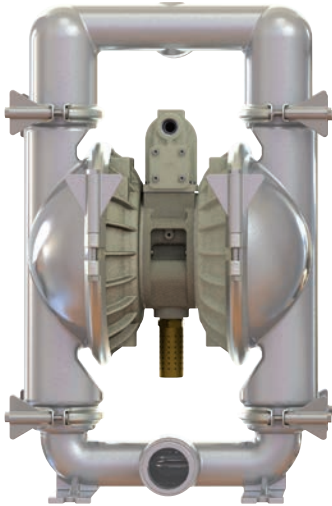
**Port Configuration** ..... Center Horizontal  
**Intake / Discharge Connection** ..... 2 1/2" Tri-Clamp®  
**Air Inlet / Exhaust** ..... 1/2" NPT / 1" NPT  
**Noise Level** ..... 96 db (A)  
**Shipping Weight** ..... 48,1 kg  
**Wet End Kit Part Number** ..... 200-080  
**Air Valve Kit Part Number** ..... 200-004



# Pure Pump Series

## FDA compliant AODD Pumps

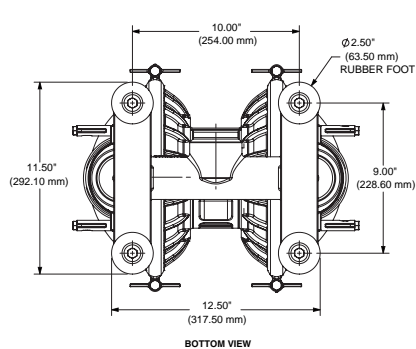
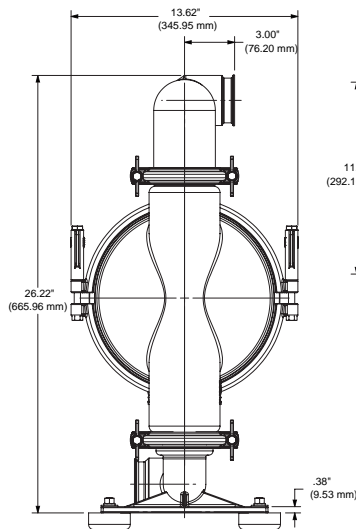
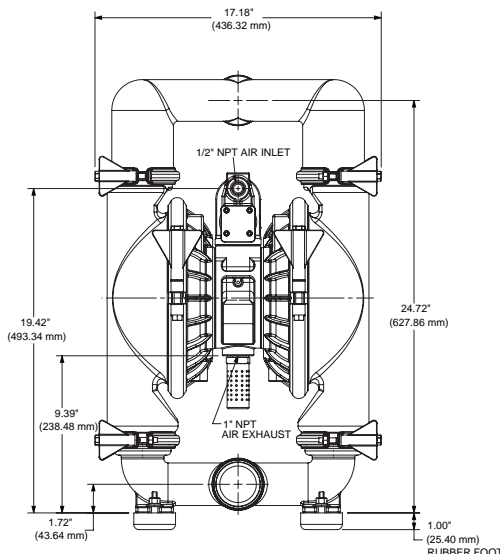
### SPFP20NPP – 2"



## Technical Specifications

**Max Flow** ..... 579 LPM  
**Max Air Supply or Liquid Pressure** ... 125 psig (8,6 bar)  
**Max Particle Size (Dia.)** ..... 1/4" (6,35 mm)  
**Suction Lift** ..... 11' Dry / 29 Wet (3,4 m / 8,8 m)  
**Temperature Range** ..... -37° C to 104° C  
**Elastomers** ..... PTFE  
**Center Block** ..... Nickel Plated Aluminum  
**Wetted Section** ..... SS316

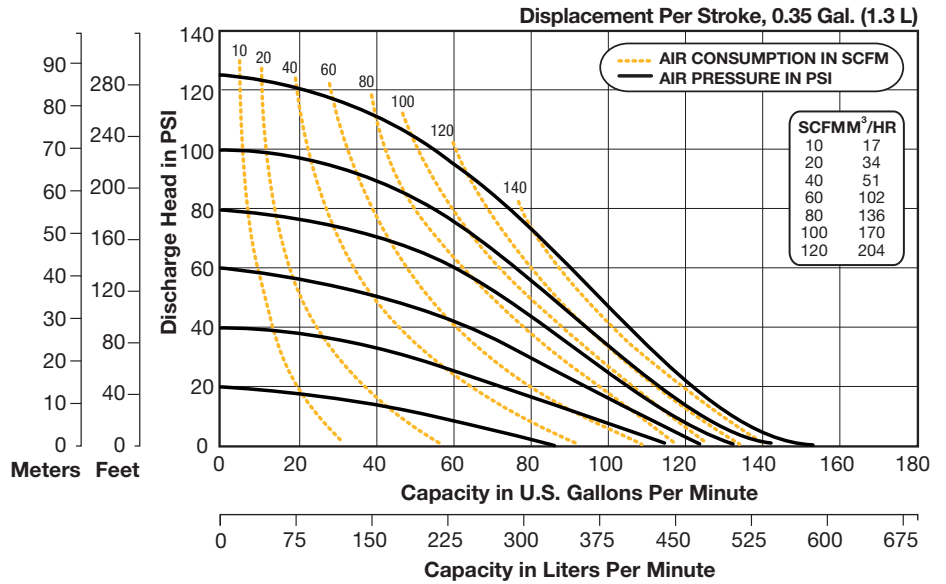
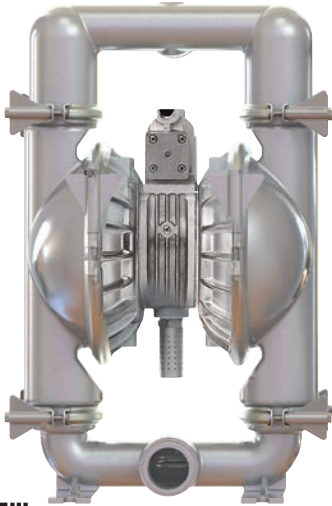
**Port Configuration** ..... Center Horizontal  
**Intake / Discharge Connection** ..... 2 1/2" Tri-Clamp®  
**Air Inlet / Exhaust** ..... 1/2" NPT / 1" NPT  
**Noise Level** ..... 102 db (A)  
**Shipping Weight** ..... 48,1 kg  
**Wet End Kit Part Number** ..... 200-070  
**Air Valve Kit Part Number** ..... 200-004



# Pure Pump Series

## FDA compliant AODD Pumps

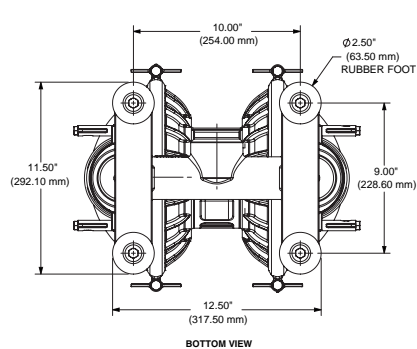
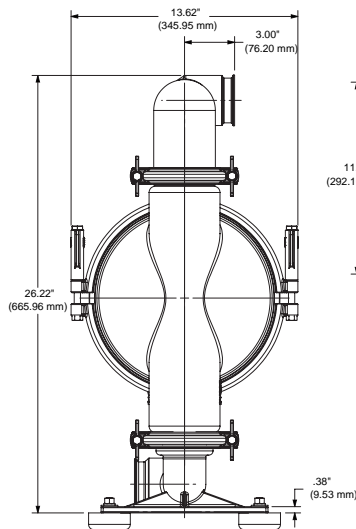
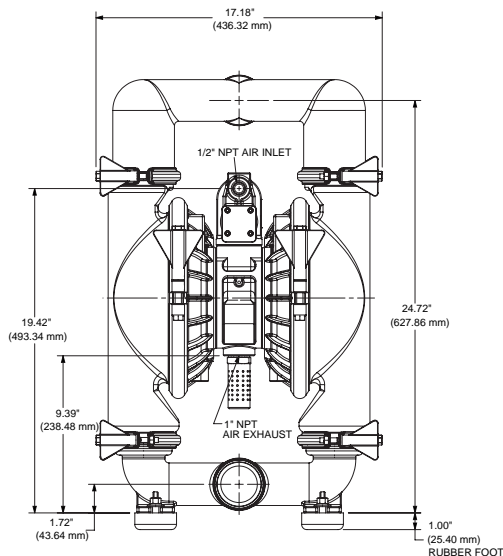
### SPFP20SSP – 2"



## Technical Specifications

**Max Flow** ..... 579 LPM  
**Max Air Supply or Liquid Pressure** ... 125 psig (8,6 bar)  
**Max Particle Size (Dia.)** ..... 1/4" (6,35 mm)  
**Suction Lift** ..... 11' Dry / 29 Wet (3,4 m / 8,8 m)  
**Temperature Range** ..... -37° C to 104° C  
**Elastomers** ..... PTFE  
**Center Block** ..... SS316  
**Wetted Section** ..... SS316

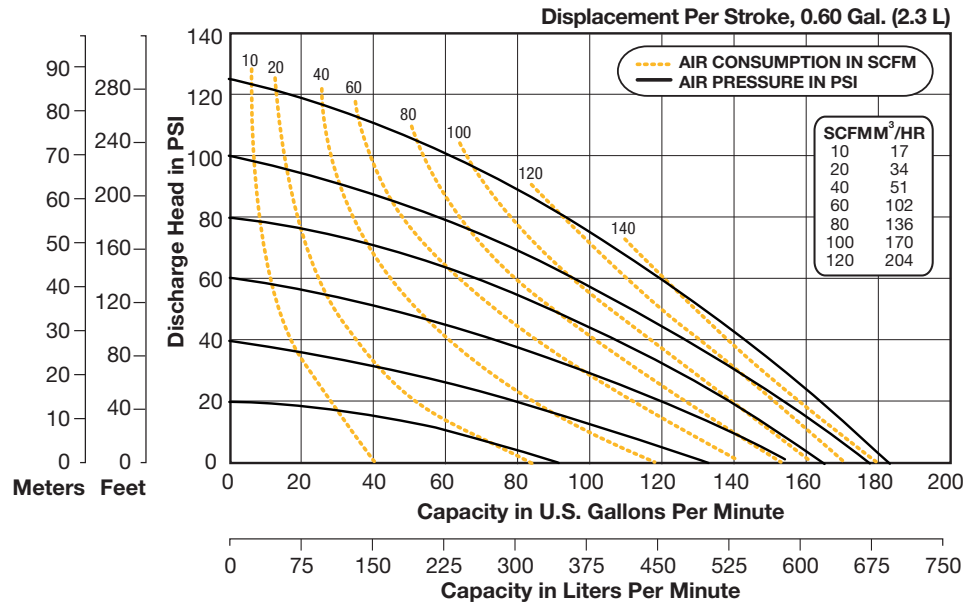
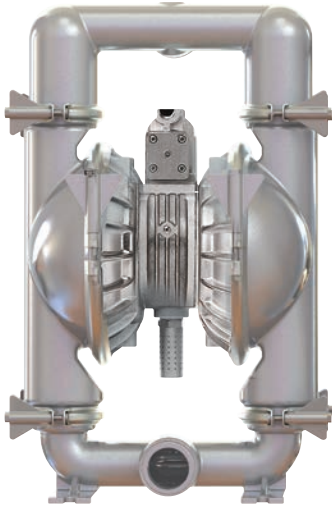
**Port Configuration** ..... Center Horizontal  
**Intake / Discharge Connection** ..... 2 1/2" Tri-Clamp®  
**Air Inlet / Exhaust** ..... 1/2" NPT / 1" NPT  
**Noise Level** ..... 102 db (A)  
**Shipping Weight** ..... 48,1 kg  
**Wet End Kit Part Number** ..... 200-070  
**Air Valve Kit Part Number** ..... 200-008



# Pure Pump Series

## FDA compliant AODD Pumps

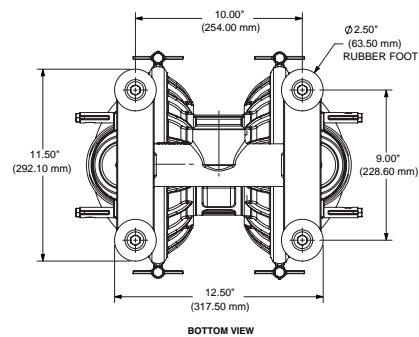
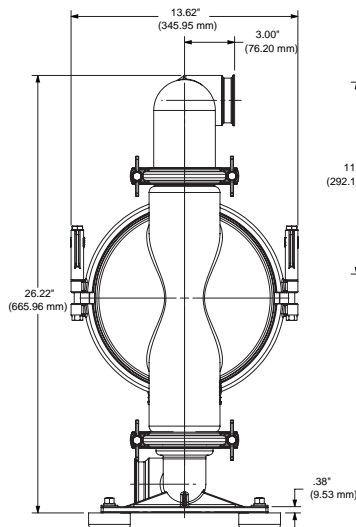
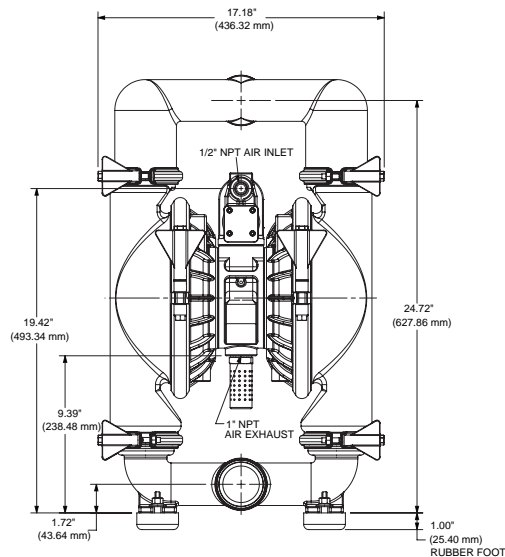
### SPFP20SSS – 2"



## Technical Specifications

**Max Flow** ..... 700 LPM  
**Max Air Supply or Liquid Pressure** ... 125 psig (8,6 bar)  
**Max Particle Size (Dia.)** ..... 1/4" (6,35 mm)  
**Suction Lift** ..... 17' Dry / 32' Wet (5,1 m / 9,5 m)  
**Temperature Range** ..... -40° C to 134° C  
**Elastomers** ..... Santoprene  
**Center Block** ..... SS316  
**Wetted Section** ..... SS316

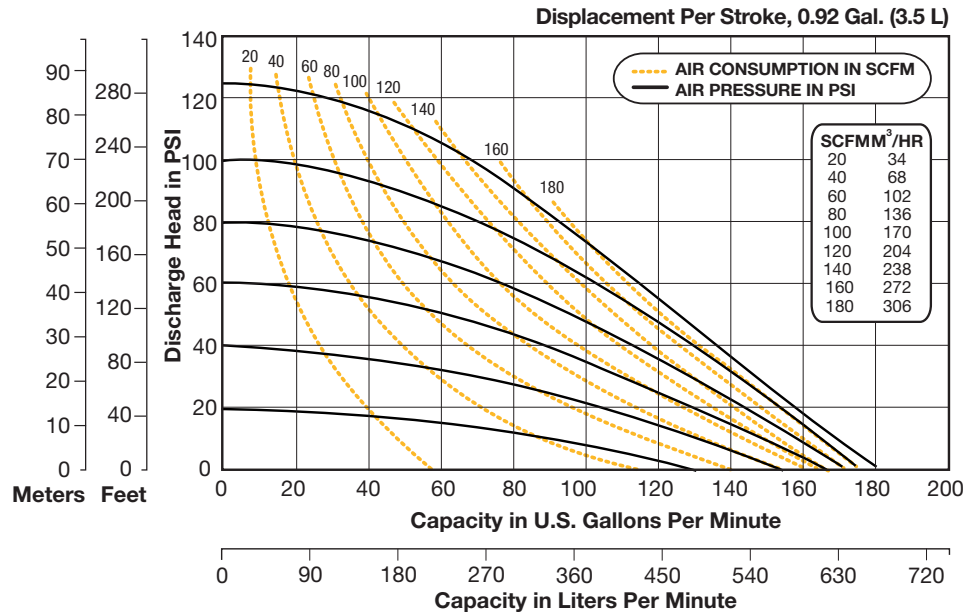
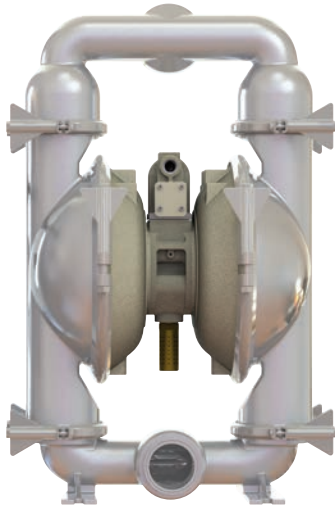
**Port Configuration** ..... Center Horizontal  
**Intake / Discharge Connection** ..... 2 1/2" Tri-Clamp®  
**Air Inlet / Exhaust** ..... 1/2" NPT / 1" NPT  
**Noise Level** ..... 96 db (A)  
**Shipping Weight** ..... 48,1 kg  
**Wet End Kit Part Number** ..... 200-080  
**Air Valve Kit Part Number** ..... 200-008



# Pure Pump Series

## FDA compliant AODD Pumps

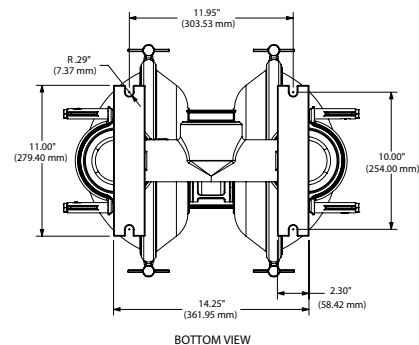
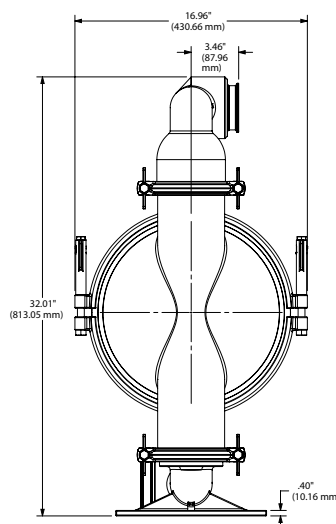
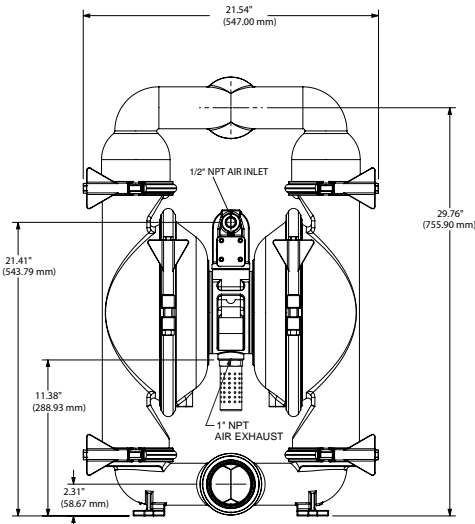
### SPFP30NPT – 3"



## Technical Specifications

**Max Flow** ..... 681 LPM  
**Max Air Supply or Liquid Pressure** ... 125 psig (8,6 bar)  
**Max Particle Size (Dia.)** ..... 3/8" (9,5 mm)  
**Suction Lift** ..... 12' Dry / 32 Wet (3,7 m / 9,8 m)  
**Temperature Range** ..... -37° C to 104° C  
**Elastomers** ..... PTFE  
**Center Block** ..... Nickel Plated Aluminum  
**Wetted Section** ..... SS316

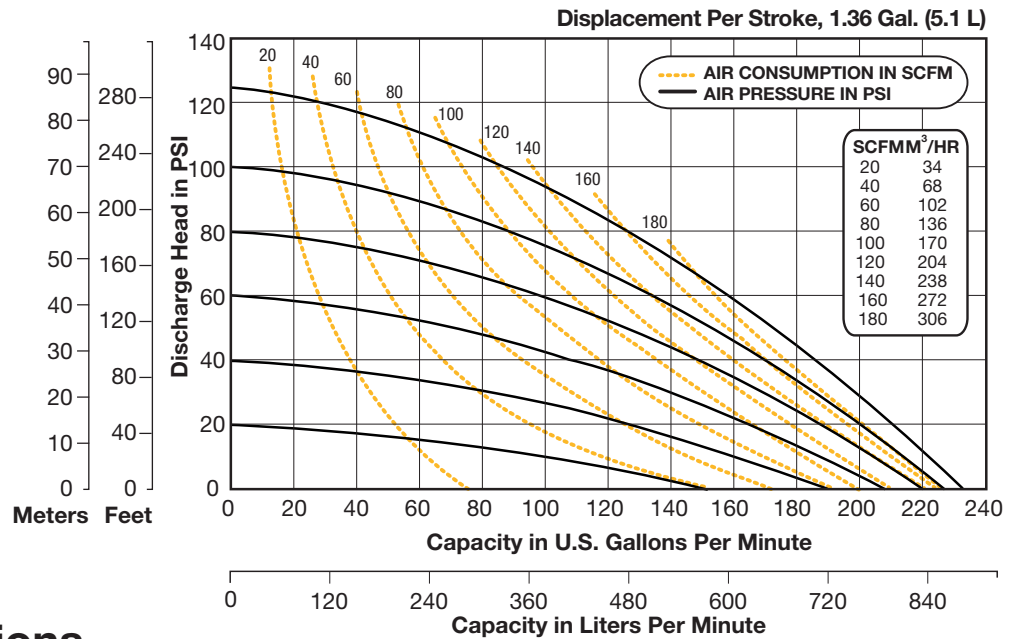
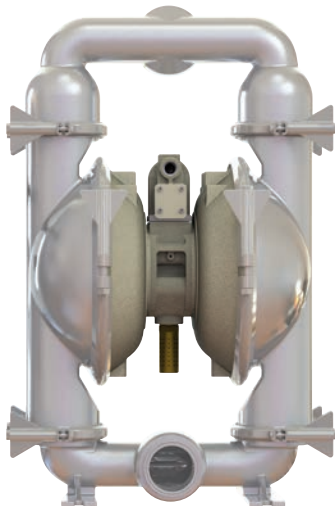
**Port Configuration** ..... Center Horizontal  
**Intake / Discharge Connection** ..... 3" Tri-Clamp®  
**Air Inlet / Exhaust** ..... 1/2" NPT / 1" NPT  
**Noise Level** ..... 95 db (A)  
**Shipping Weight** ..... 86 kg  
**Wet End Kit Part Number** ..... 200-090  
**Air Valve Kit Part Number** ..... 200-005



# Pure Pump Series

## FDA compliant AODD Pumps

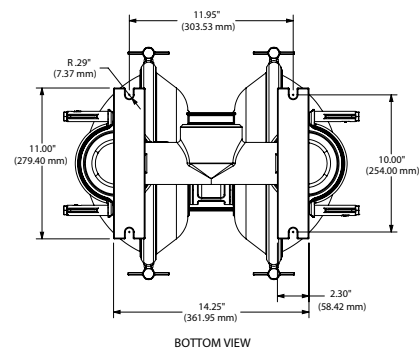
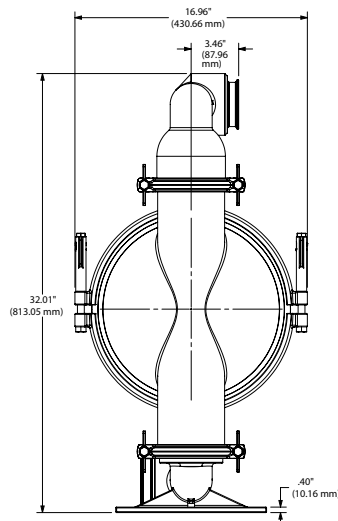
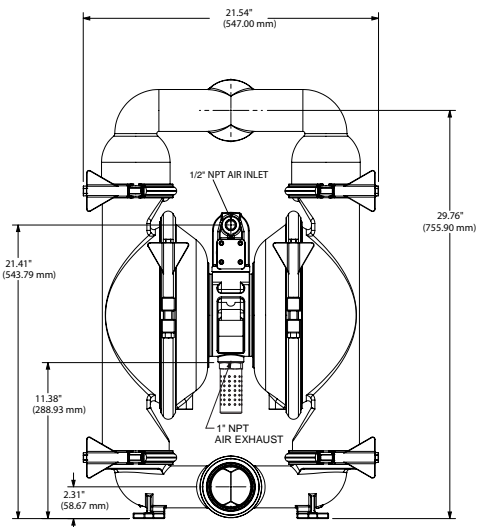
### SPFP30NPS – 3"



## Technical Specifications

**Max Flow** ..... 886 LPM  
**Max Air Supply or Liquid Pressure** ... 125 psig (8,6 bar)  
**Max Particle Size (Dia.)** ..... 3/8" (9,5 mm)  
**Suction Lift** ..... 20' Dry / 32 Wet (6,1 m / 9,8 m)  
**Temperature Range** ..... -40° C to 134° C  
**Elastomers** ..... Santoprene  
**Center Block** ..... Nickel Plated Aluminum  
**Wetted Section** ..... SS316

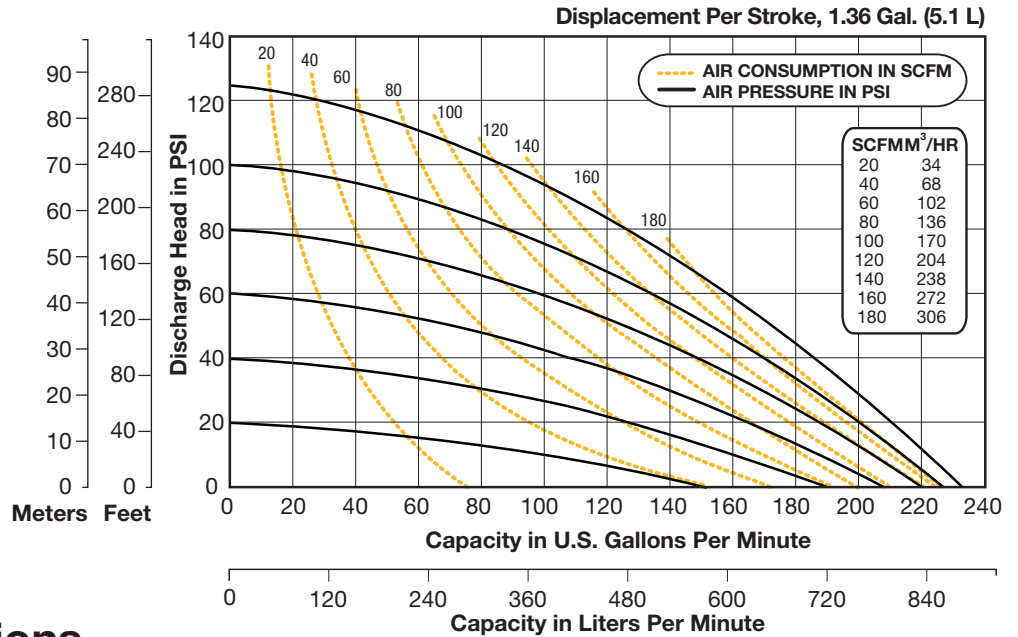
**Port Configuration** ..... Center Horizontal  
**Intake / Discharge Connection** ..... 3" Tri-Clamp®  
**Air Inlet / Exhaust** ..... 1/2" NPT / 1" NPT  
**Noise Level** ..... 96 db (A)  
**Shipping Weight** ..... 86 kg  
**Wet End Kit Part Number** ..... 200-100  
**Air Valve Kit Part Number** ..... 200-005



# Pure Pump Series

## FDA compliant AODD Pumps

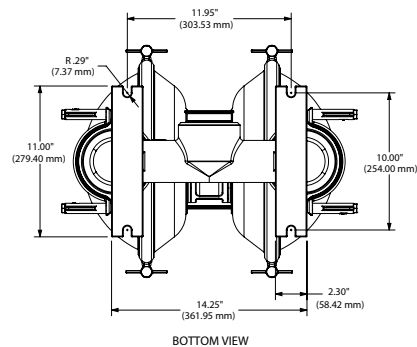
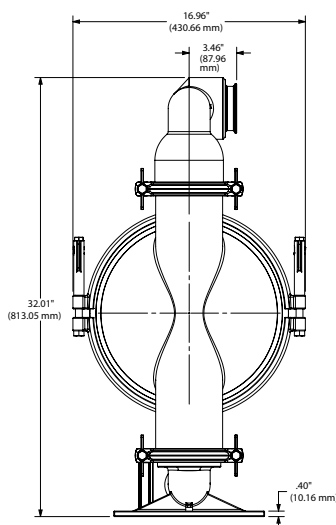
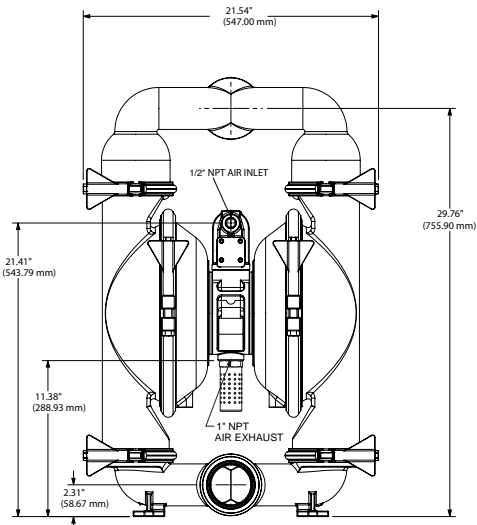
### SPFP30SSS – 3"



## Technical Specifications

**Max Flow** ..... 886 LPM  
**Max Air Supply or Liquid Pressure** ... 125 psig (8,6 bar)  
**Max Particle Size (Dia.)** ..... 3/8" (9,5 mm)  
**Suction Lift** ..... 20' Dry / 32 Wet (6,1 m / 9,8 m)  
**Temperature Range** ..... -40° C to 134° C  
**Elastomers** ..... Santoprene  
**Center Block** ..... SS316  
**Wetted Section** ..... SS316

**Port Configuration** ..... Center Horizontal  
**Intake / Discharge Connection** ..... 3" Tri-Clamp®  
**Air Inlet / Exhaust** ..... 1/2" NPT / 1" NPT  
**Noise Level** ..... 96 db (A)  
**Shipping Weight** ..... 86 kg  
**Wet End Kit Part Number** ..... 200-100  
**Air Valve Kit Part Number** ..... 200-009

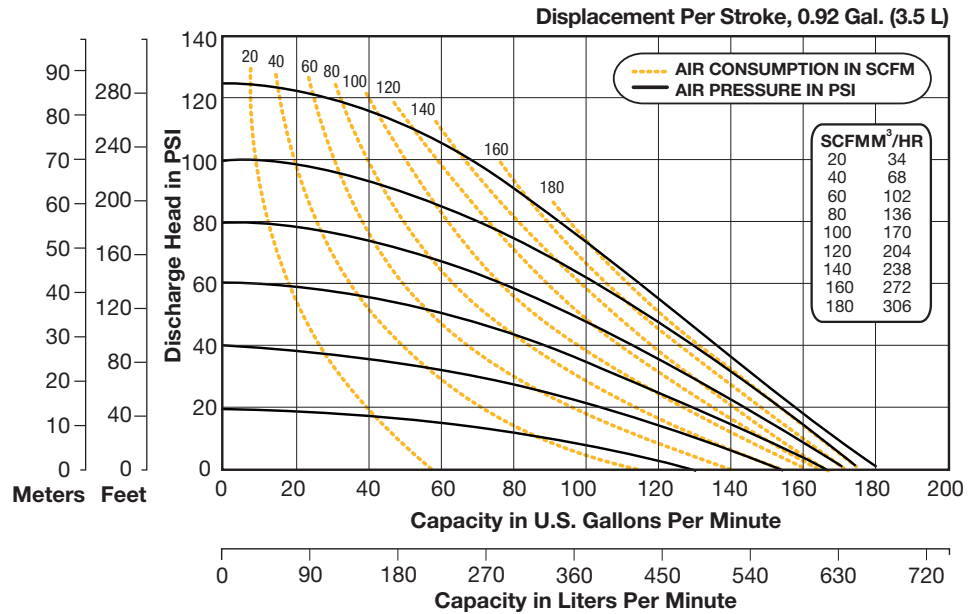




# Pure Pump Series

## FDA compliant AODD Pumps

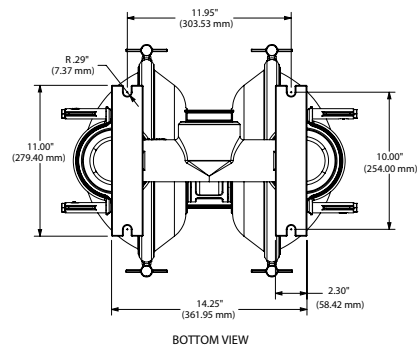
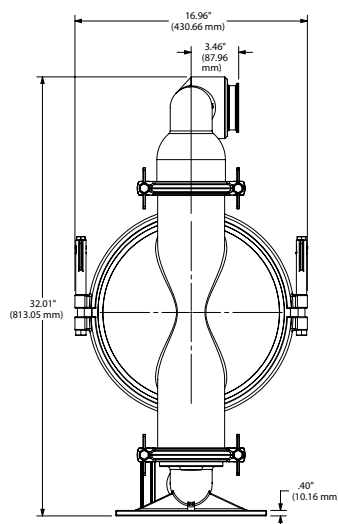
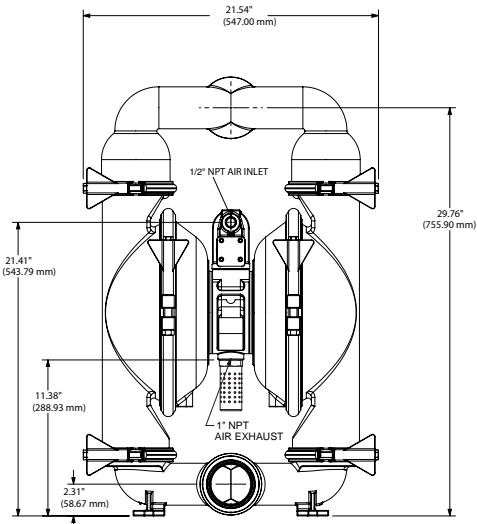
### SPFP30SST – 3"



## Technical Specifications

**Max Flow** ..... 681 LPM  
**Max Air Supply or Liquid Pressure** ... 125 psig (8,6 bar)  
**Max Particle Size (Dia.)** ..... 3/8" (9,5 mm)  
**Suction Lift** ..... 12' Dry / 32 Wet (3,7 m / 9,8 m)  
**Temperature Range** ..... -37° C to 104° C  
**Elastomers** ..... PTFE  
**Center Block** ..... SS316  
**Wetted Section** ..... SS316

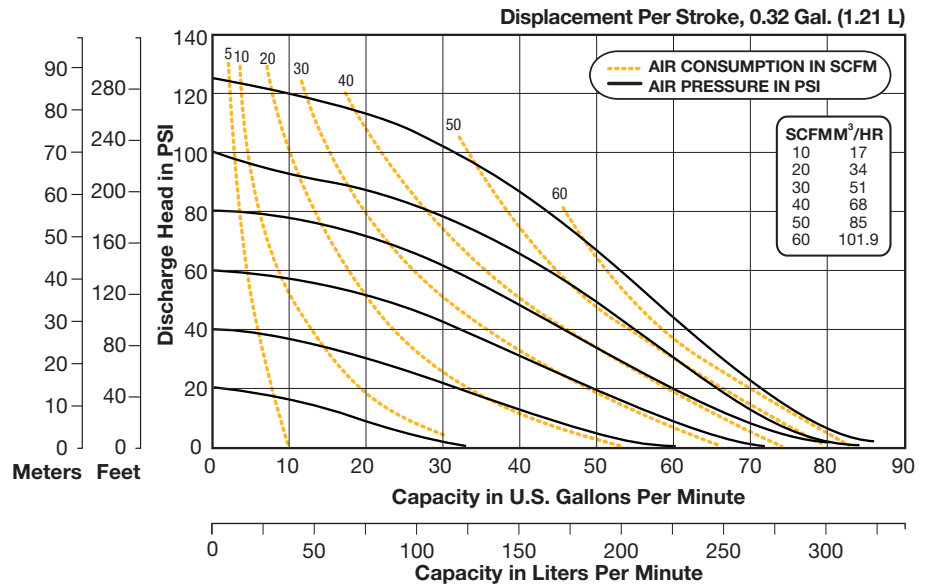
**Port Configuration** ..... Center Horizontal  
**Intake / Discharge Connection** ..... 3" Tri-Clamp®  
**Air Inlet / Exhaust** ..... 1/2" NPT / 1" NPT  
**Noise Level** ..... 95 db (A)  
**Shipping Weight** ..... 86 kg  
**Wet End Kit Part Number** ..... 200-090  
**Air Valve Kit Part Number** ..... 200-009



# Pure Pump Series

## Sanitary AODD Pumps

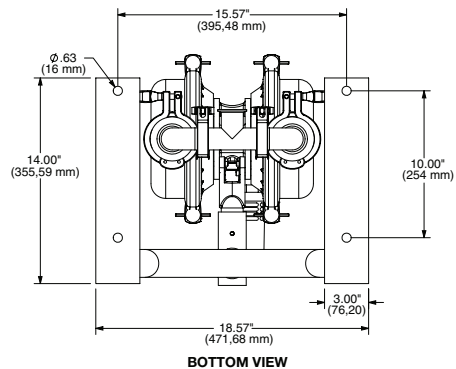
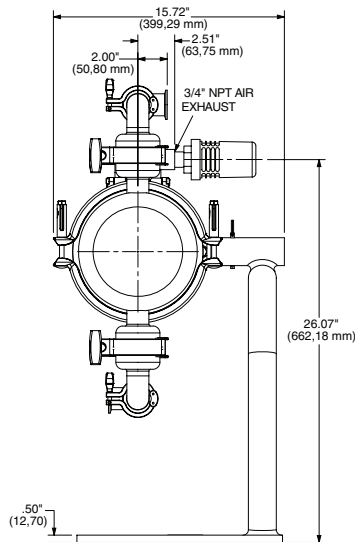
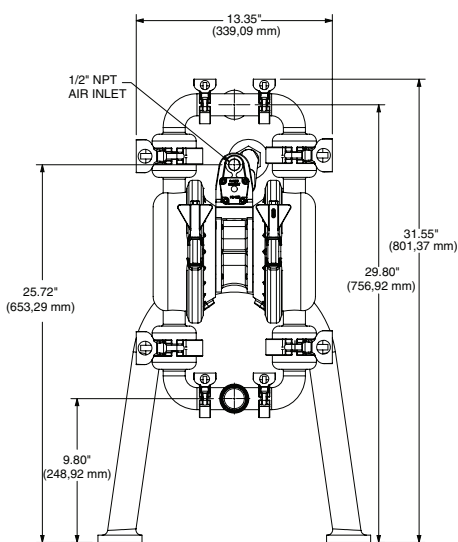
### SPSN15NPS – 1½"



## Technical Specifications

**Max Flow** ..... 325,5 LPM  
**Max Air Supply or Liquid Pressure** .... 100 psig (6,9 bar)  
**Max Particle Size (Dia.)** ..... 3/8" (9,5 mm)  
**Suction Lift** ..... 15' Dry / 25' Wet (6,10 m / 7,62 m)  
**Temperature Range** ..... -40° C to 134° C  
**Elastomers** ..... Santoprene  
**Center Block** ..... Nickel Plated Aluminum  
**Wetted Section** ..... SS316L-Polished to 32 Ra

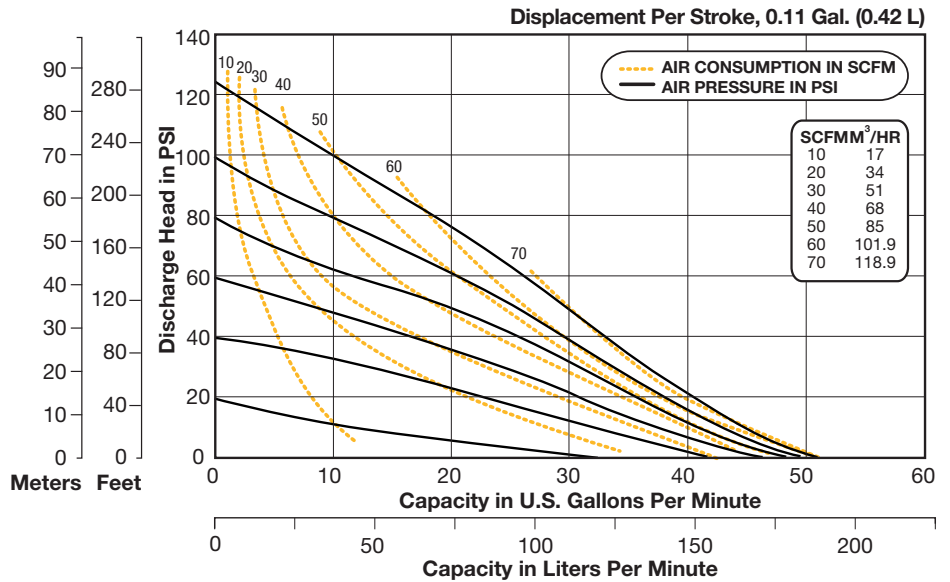
**Port Configuration** ..... Center Horizontal  
**Intake / Discharge Connection** ..... 1½" Tri-Clamp®  
**Air Inlet / Exhaust** ..... ½" NPT / ¾" NPT  
**Noise Level** ..... 101 db (A)  
**Shipping Weight** ..... 34 kg  
**Wet End Kit Part Number** ..... 200-140  
**Air Valve Kit Part Number** ..... 200-003



# Pure Pump Series

## Sanitary AODD Pumps

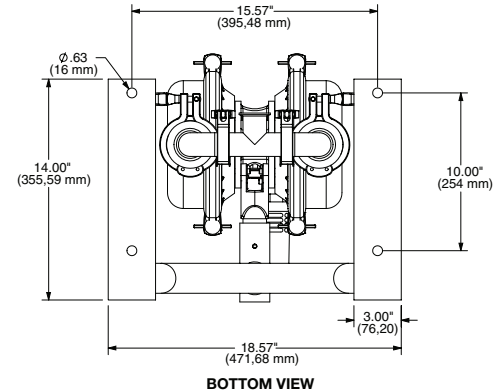
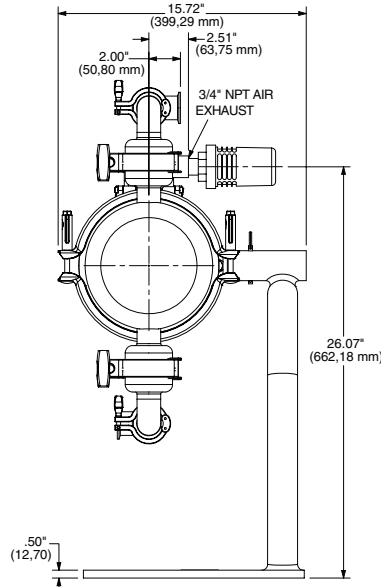
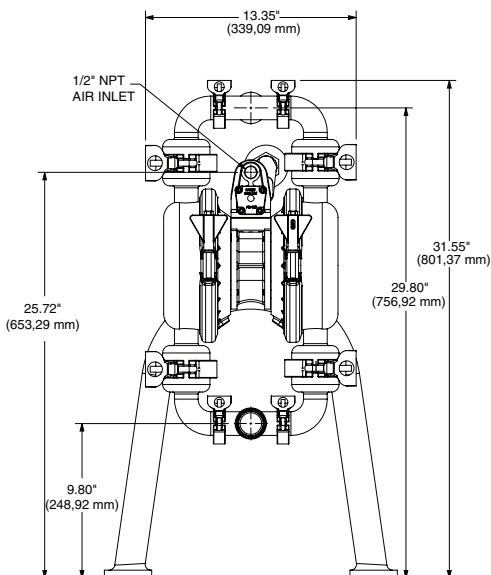
### SPSN15NPP – 1½"



## Technical Specifications

**Max Flow** ..... 193 LPM  
**Max Air Supply or Liquid Pressure** .... 100 psig (6,9 bar)  
**Max Particle Size (Dia.)** ..... ¾" (9,5 mm)  
**Suction Lift** ..... 15' Dry / 25' Wet (6,10 m / 7,62 m)  
**Temperature Range** ..... -37° C to 104° C  
**Elastomers** ..... PTFE  
**Center Block** ..... Nickel Plated Aluminum  
**Wetted Section** ..... SS316L-Polished to 32 Ra

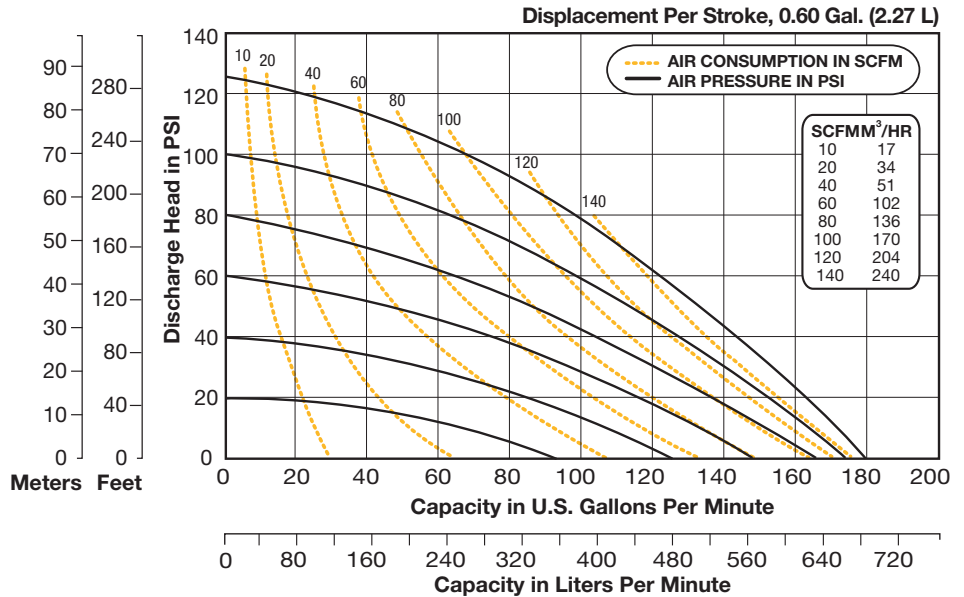
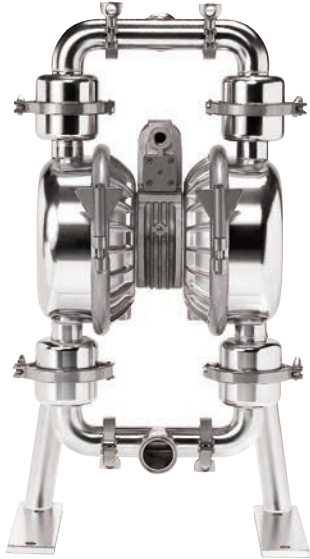
**Port Configuration** ..... Center Horizontal  
**Intake / Discharge Connection** ..... 1½" Tri-Clamp®  
**Air Inlet / Exhaust** ..... ½" NPT / ¾" NPT  
**Noise Level** ..... 101 db (A)  
**Shipping Weight** ..... 34 kg  
**Wet End Kit Part Number** ..... 200-110  
**Air Valve Kit Part Number** ..... 200-003



# Pure Pump Series

## Sanitary AODD Pumps

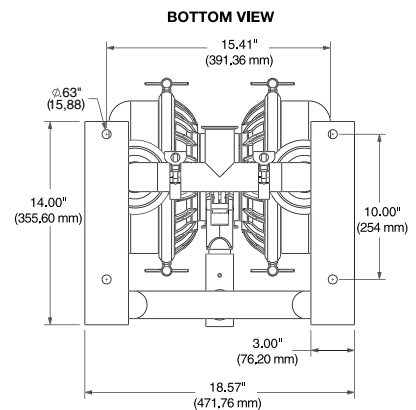
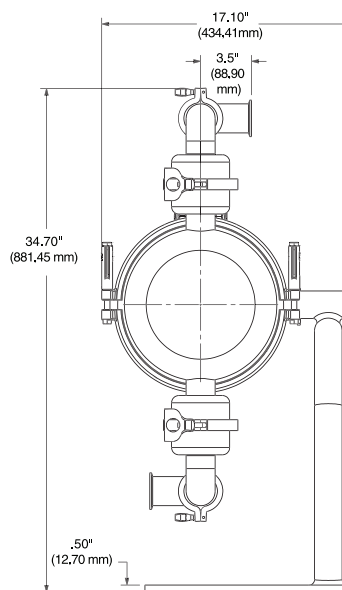
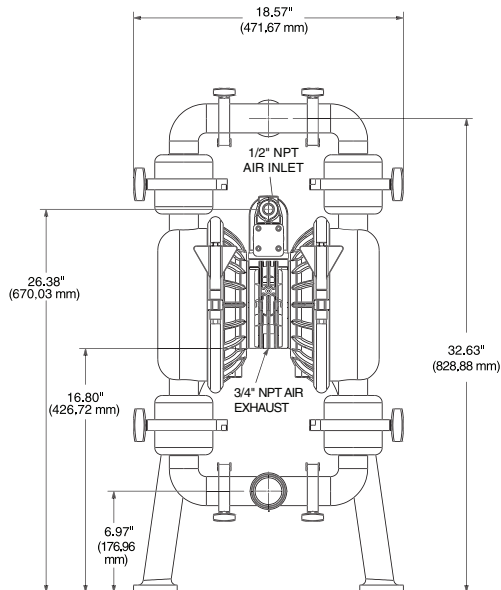
### SPSN20NPS – 2"



## Technical Specifications

**Max Flow** ..... 677 LPM  
**Max Air Supply or Liquid Pressure** .... 100 psig (6,9 bar)  
**Max Particle Size (Dia.)** ..... 5/8" (15,9 mm)  
**Suction Lift** ..... 15' Dry / 32' Wet (4,6 m / 9,8 m)  
**Temperature Range** ..... -40° C to 134° C  
**Elastomers** ..... Santoprene  
**Center Block** ..... Nickel Plated Aluminum  
**Wetted Section** ..... SS316L-Polished to 32 Ra

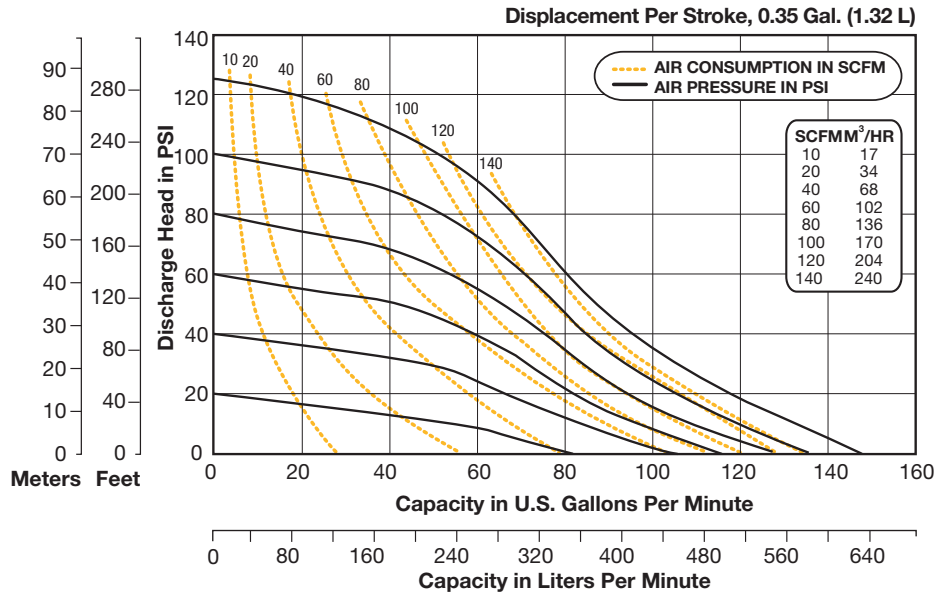
**Port Configuration** ..... Center Horizontal  
**Intake / Discharge Connection** ..... 2" Tri-Clamp®  
**Air Inlet / Exhaust** ..... 1/2" NPT / 1" NPT  
**Noise Level** ..... 98 db (A)  
**Shipping Weight** ..... 56.7 kg  
**Wet End Kit Part Number** ..... 200-160  
**Air Valve Kit Part Number** ..... 200-004



# Pure Pump Series

## Sanitary AODD Pumps

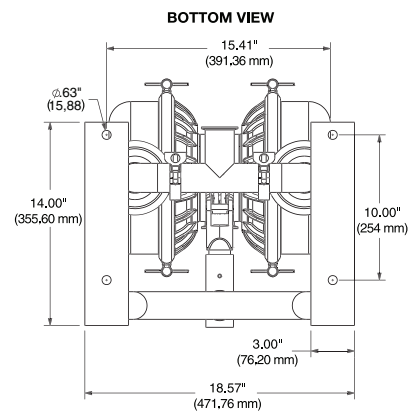
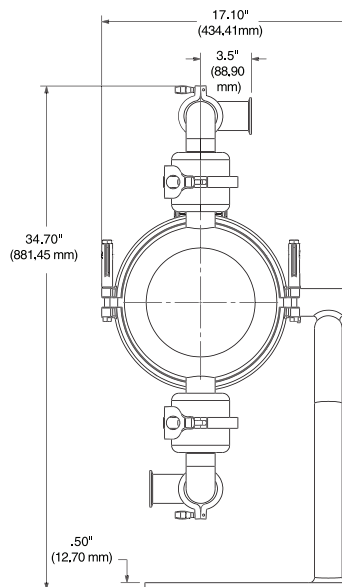
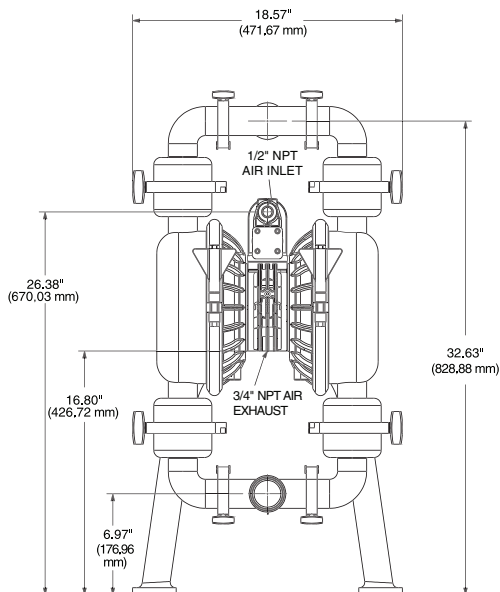
### SPSN20NPP – 2"



## Technical Specifications

**Max Flow** ..... 556 LPM  
**Max Air Supply or Liquid Pressure** .... 100 psig (6,9 bar)  
**Max Particle Size (Dia.)** ..... 5/8" (15,9 mm)  
**Suction Lift** ..... 9' Dry / 27' Wet (2,7 m / 8,2 m)  
**Temperature Range** ..... -37° C to 104° C  
**Elastomers** ..... PTFE  
**Center Block** ..... Nickel Plated Aluminum  
**Wetted Section** ..... SS316L-Polished to 32 Ra

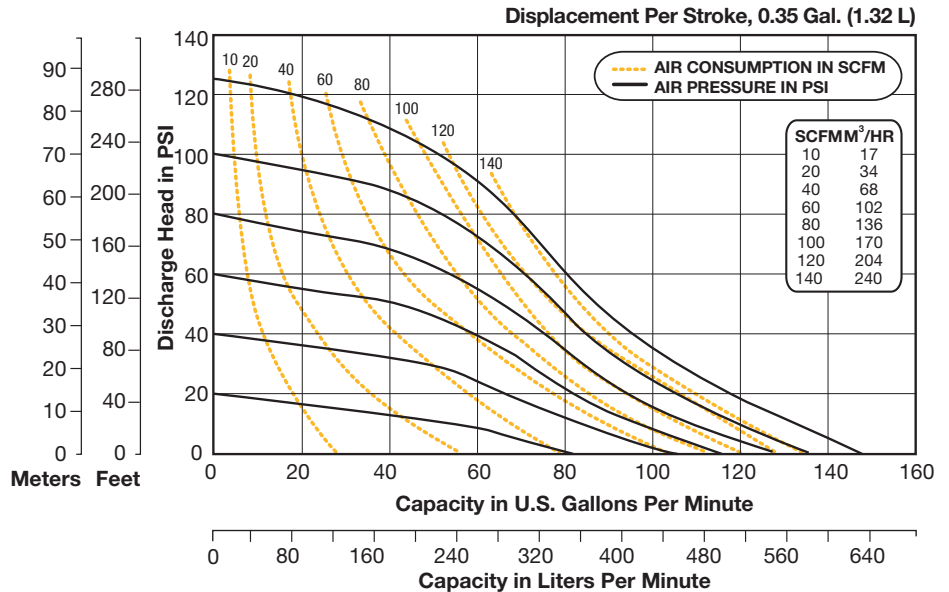
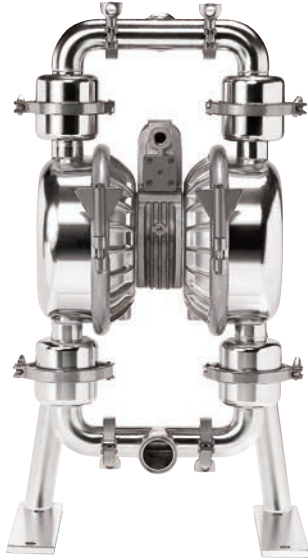
**Port Configuration** ..... Center Horizontal  
**Intake / Discharge Connection** ..... 2" Tri-Clamp®  
**Air Inlet / Exhaust** ..... 1/2" NPT / 1" NPT  
**Noise Level** ..... 98 db (A)  
**Shipping Weight** ..... 56.7 kg  
**Wet End Kit Part Number** ..... 200-130  
**Air Valve Kit Part Number** ..... 200-004



# Pure Pump Series

## Sanitary AODD Pumps

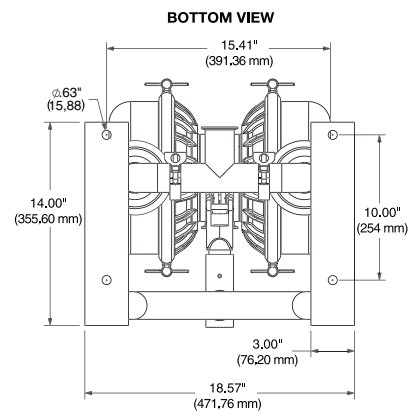
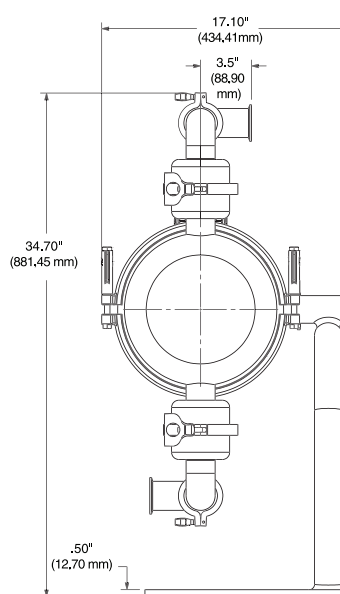
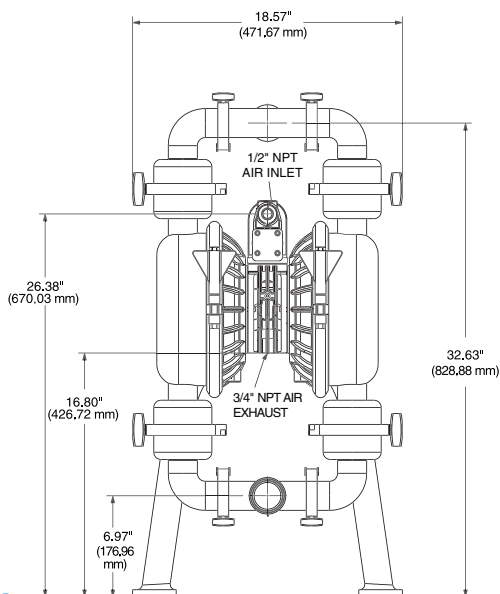
### SPSN20SSP – 2"



## Technical Specifications

**Max Flow** ..... 556 LPM  
**Max Air Supply or Liquid Pressure** .... 100 psig (6,9 bar)  
**Max Particle Size (Dia.)** ..... 5/8" (15,9 mm)  
**Suction Lift** ..... 9' Dry / 27' Wet (2,7 m / 8,2 m)  
**Temperature Range** ..... -37° C to 104° C  
**Elastomers** ..... PTFE  
**Center Block** ..... SS316  
**Wetted Section** ..... SS316L-Polished to 32 Ra

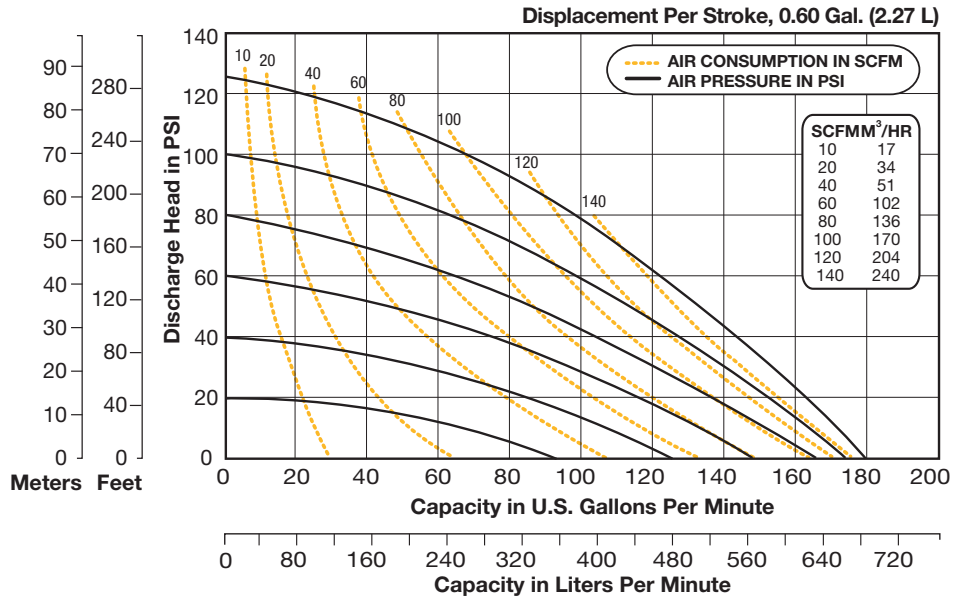
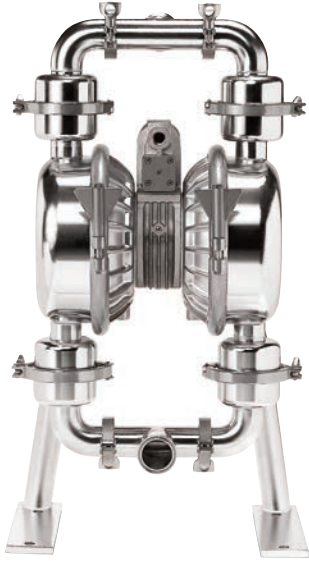
**Port Configuration** ..... Center Horizontal  
**Intake / Discharge Connection** ..... 2" Tri-Clamp®  
**Air Inlet / Exhaust** ..... 1/2" NPT / 1" NPT  
**Noise Level** ..... 98 db (A)  
**Shipping Weight** ..... 56.7 kg  
**Wet End Kit Part Number** ..... 200-130  
**Air Valve Kit Part Number** ..... 200-004



# Pure Pump Series

## Sanitary AODD Pumps

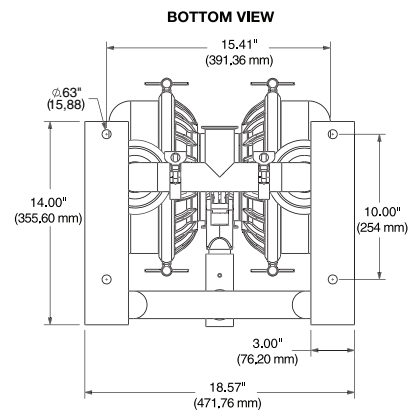
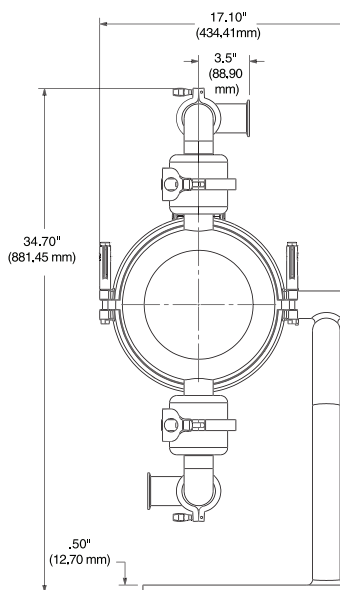
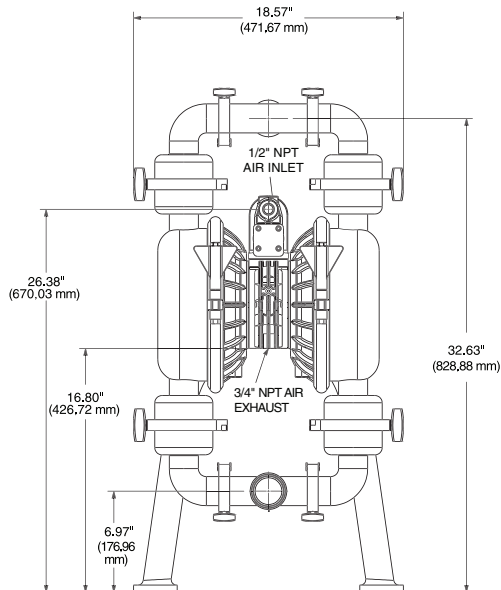
### SPSN20SSS – 2"



## Technical Specifications

**Max Flow** ..... 677 LPM  
**Max Air Supply or Liquid Pressure** .... 100 psig (6,9 bar)  
**Max Particle Size (Dia.)** ..... 5/8" (15,9 mm)  
**Suction Lift** ..... 15' Dry / 32' Wet (4,6 m / 9,8 m)  
**Temperature Range** ..... -40° C to 134° C  
**Elastomers** ..... Santoprene  
**Center Block** ..... SS316  
**Wetted Section** ..... SS316L-Polished to 32 Ra

**Port Configuration** ..... Center Horizontal  
**Intake / Discharge Connection** ..... 2" Tri-Clamp®  
**Air Inlet / Exhaust** ..... 1/2" NPT / 1" NPT  
**Noise Level** ..... 98 db (A)  
**Shipping Weight** ..... 56.7 kg  
**Wet End Kit Part Number** ..... 200-160  
**Air Valve Kit Part Number** ..... 200-004



# PURE PUMP

The Sanitary Line

## AODD and Drum Pumps for Pharmaceuticals, Food Products and Personal Care



### **STANDARD PUMP** *Europe*

Rønnekrogen 2  
3400 Hillerød  
Denmark

Tel +45 7023 2100  
Fax +45 7023 5655

[www.standard-europe.eu](http://www.standard-europe.eu)

### **STANDARD** *Pump*

1610 Satellite Blvd., Suite D  
Duluth, GA 30097  
USA

Tel +1 770 307 1003  
Fax +1 770 307 1009

[www.standardpump.com](http://www.standardpump.com)

Distributed By: